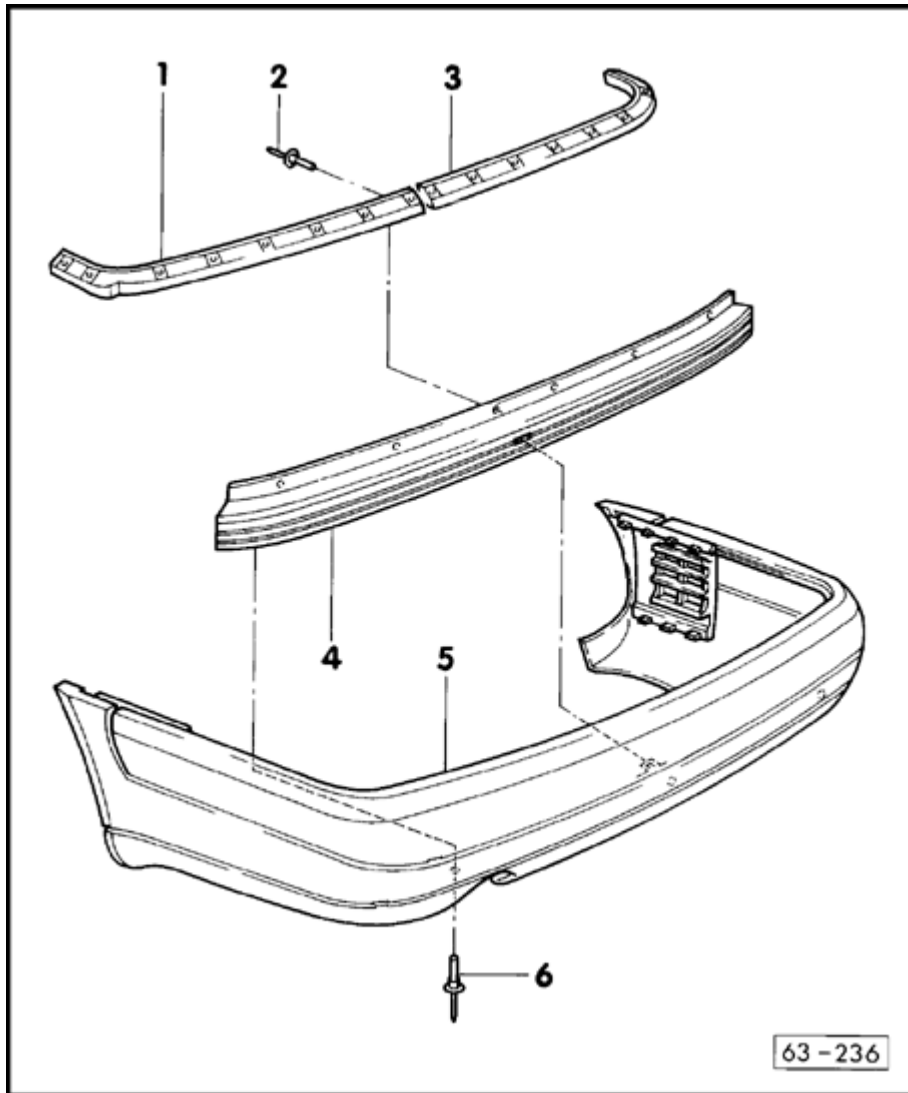


Audi > C4 > 1992 - 1998**Body Exterior, Interior****63 - Bumpers****Rear bumper cover, assembly (wagon)****Note:**

Bumper cover is secured to bumper by retaining tabs. It will take substantial force to separate.

1 -Trim strip, left

- ◆ Remove after disassembling bumper -4-
- ◆ Drill and punch out rivet

2 -Pop-rivet**3 -Trim strip, right**

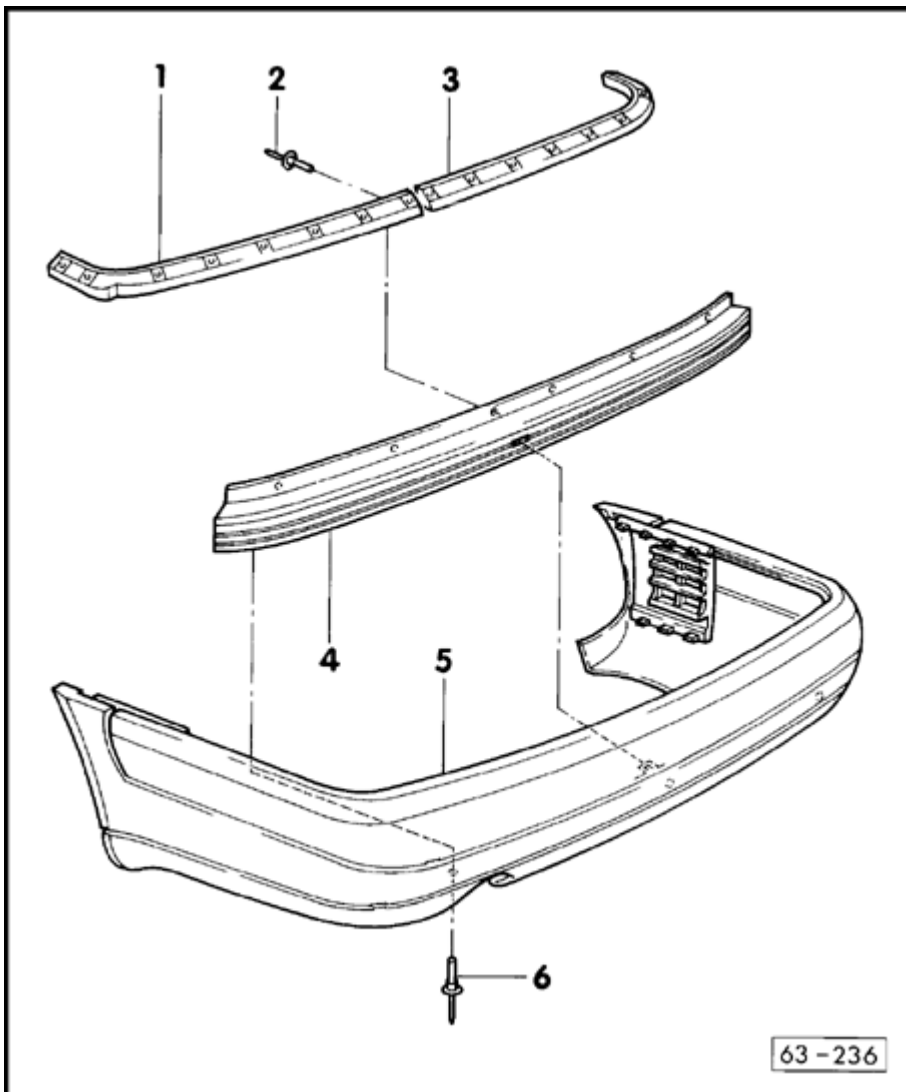
- ◆ Remove after disassembling bumper -4-

- ◆ Drill and punch out rivet

4 -Bumper

To remove:

- Remove bumper assembly => page [63-10](#)
- Drill out pop-rivets => Fig. [1](#)
- Pry out trim strips from bumper
- Pry out bumper cover from lower edge of bumper => Fig. [3](#)
- Pry bumper from cover



5 -Bumper cover

- ◆ Remove bumper assembly => page [63-10](#) (Sedan), or page [63-14](#)(Wagon)
- ◆ Removing => Fig. [3](#)

6 -Pop-rivet

- ◆ When installing bumper to bumper cover, use rivets with offset or add a washer => Fig. 2

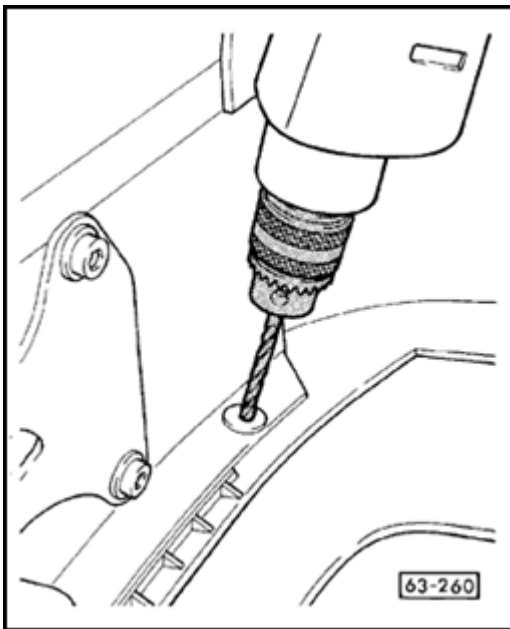


Fig. 1 Removing pop-rivets

- Drill out as shown.

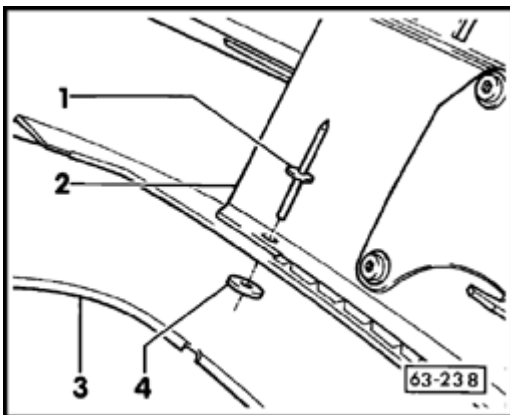


Fig. 2 Installing bumper to cover

- Use extra long pop-rivets with washer -4- to install bumper -2- onto cover -3-.

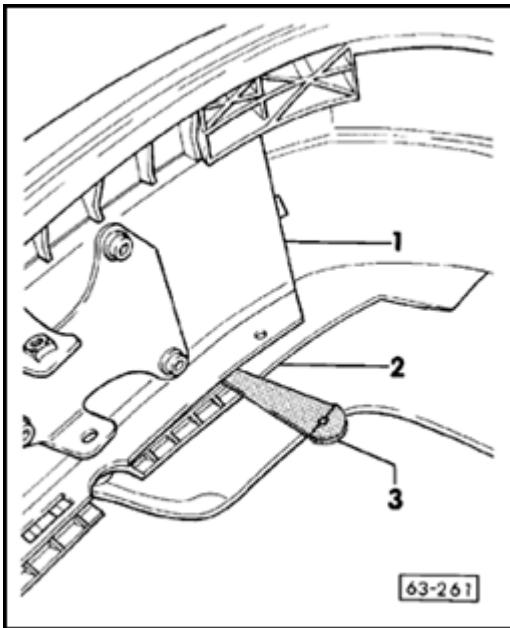


Fig. 3 Removing bumper cover

- Pry off cover -2- from bumper -1- with plastic wedge -3-.