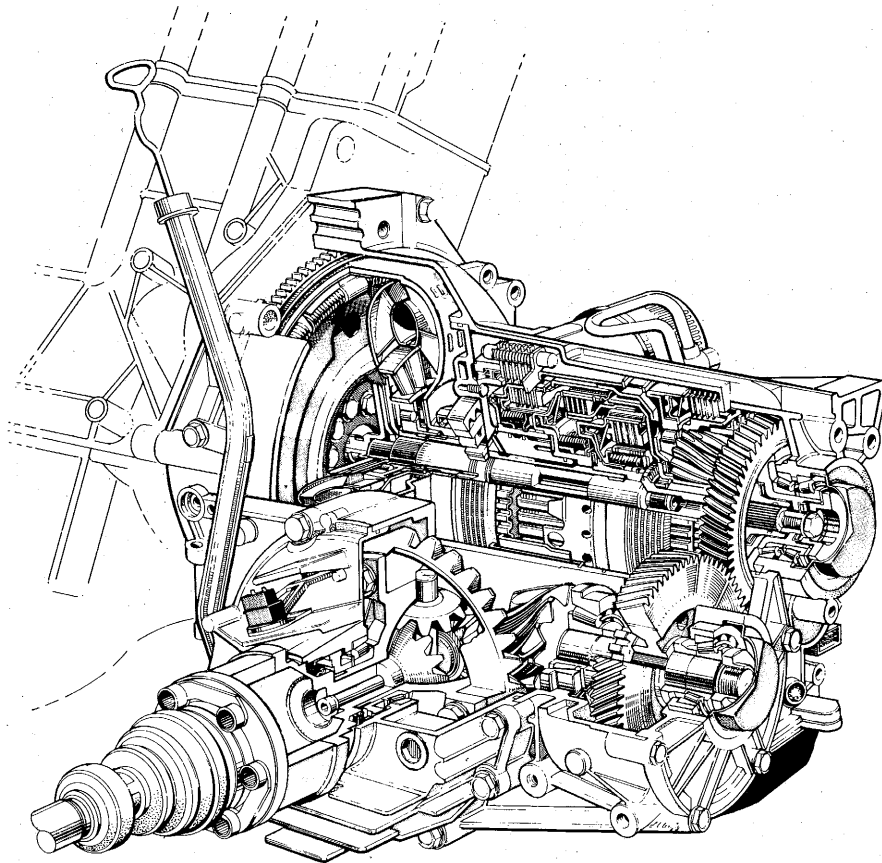


# **Audi 4-Speed Automatic Transmission**



**Service Training**  
**Self-Study Program 210**