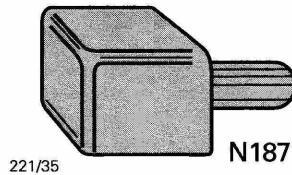


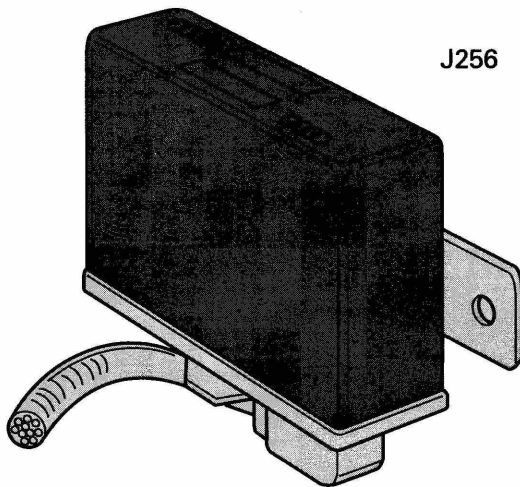
Components

Convertible Top Unlocking Solenoid



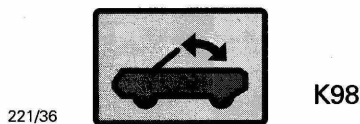
The Convertible Top Unlocking Solenoid - N187 - receives a signal from the Convertible Top Control Module when all the opening parameters have been met. The solenoid pin retracts and the front of the top is released from the windshield frame and the opening sequence begins.

Convertible Top Control Module



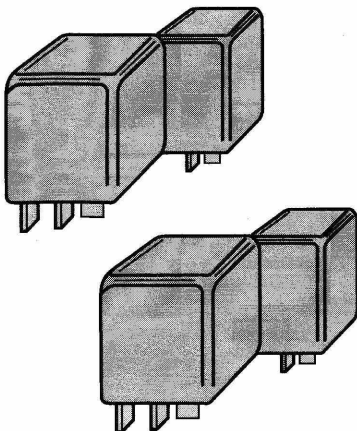
Convertible Top Control Module - J256 - is located behind the right side of the rear seatback. It oversees the entire opening and closing sequence. See page 19 for complete details.

Convertible Top Indicator Lamp

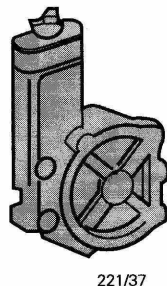


When the convertible top is opening or closing, the Convertible Top Indicator Light - K98 - remains steadily lit. If the top malfunctions, the light will blink.

Relays for lowering and raising door windows



Power Window Motor



The front and rear side windows are automatically lowered 15 cm before the convertible top begins its lowering sequence.

The windows are lowered via relays after receiving a signal from the Convertible Top Control Module.