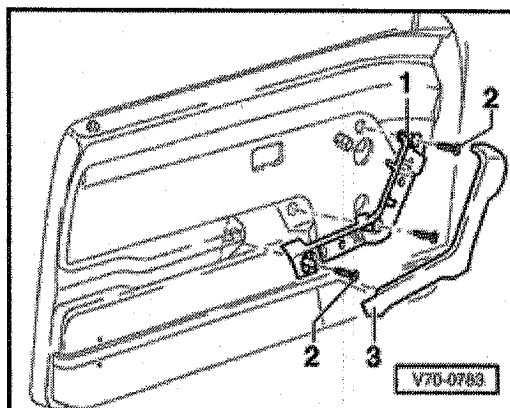


- Insert flat screwdriver through hole in underside of armrest trim.
- Push back retaining tab and pry off trim (on both holes).

Note:

- ✦ To pry off the trim, begin at the front.

Installing



- Remove screws - 2 - from lower armrest trim - 3 - .

Tightening torque: 2.5 Nm (22 in. lb)

CAUTION!

- ✦ The previous version armrest can be installed with the new version door trim panel.
- ✦ The new version armrest cannot be used with previous version door trim panel.

Copyright © 2006 Audi of America, Inc. and Bentley Publishers. All rights reserved. Last processed: