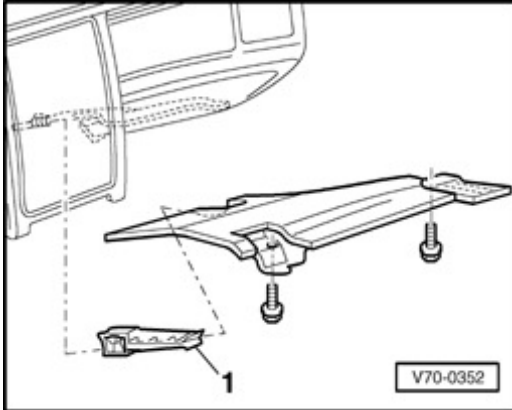
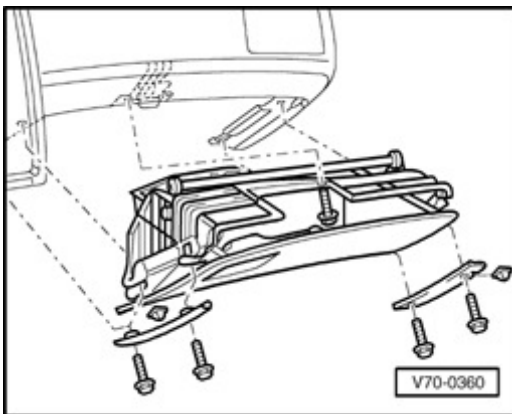


**Audi > B3 > 1994-1998****Body Exterior, Interior****70 - Instrument panel, removing and installing****Glove compartment, removing and installing**

- Remove cover on front passenger side.



Tightening torque: 5 Nm (44 in. lb)

- Remove four mounting screws.

Tightening torque: 5 Nm (44 in. lb)

- Press glove compartment toward center of vehicle and remove downward.

*Copyright © 2006 Audi of America, Inc. and Bentley Publishers. All rights reserved. Last processed:*