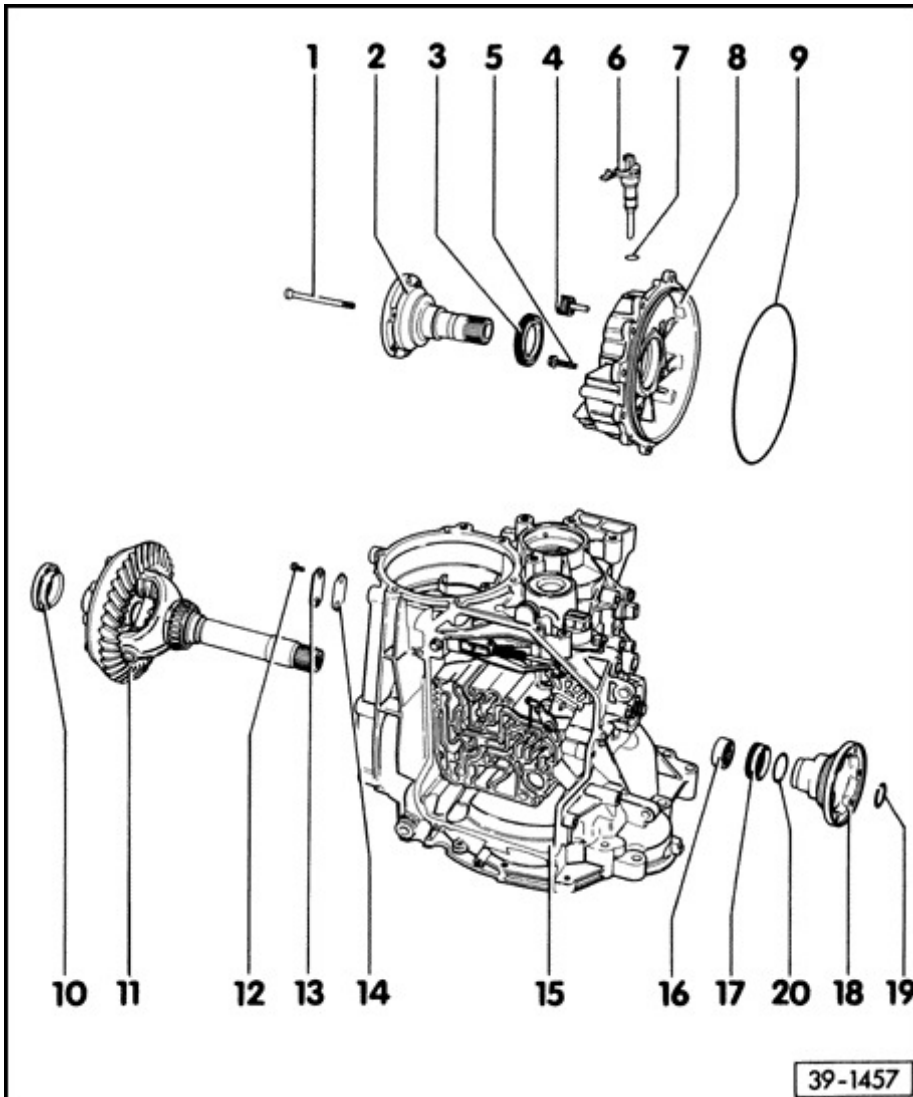


Audi > B3 Platform > 1994 - 1998 4 Spd. Automatic Transmission 097 39 - Final drive, Differential

Differential, removing and installing



CAUTION!

If the pinion and the tapered roller bearing are to be reused after the repair, backlash and pinion shaft turning torque must be measured and noted before disassembling the final drive (=> page [39-50](#)). These parts must be adjusted as closely as possible to the original settings during re-assembly (for quieter running and maximum service life).

1 -Bolt

◆ 25 Nm (18 ft lb)

2 -Flanged shaft

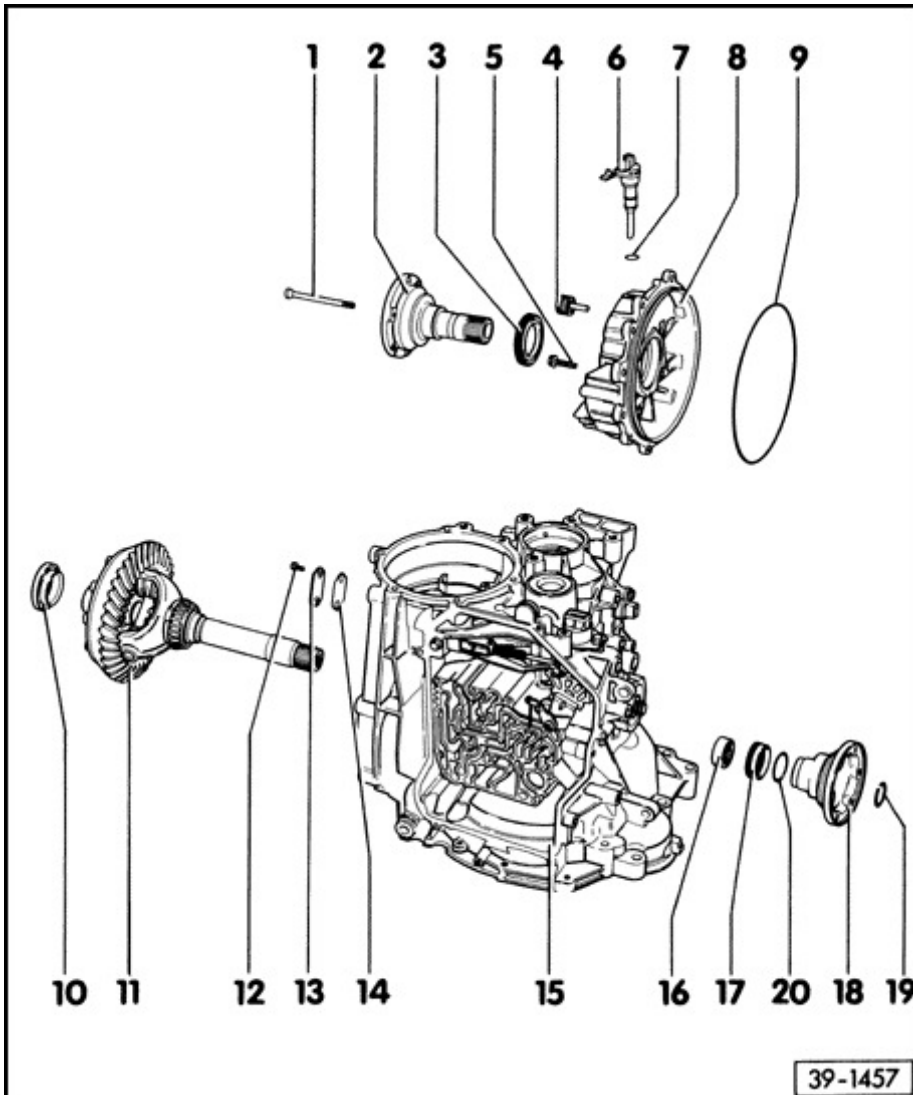
3 -Oil seal for flanged shaft

- ◆ Remove with tool VW681
- ◆ Installing => Fig. [1](#)

4 -Oil filler plug

5 -Bolt

- ◆ 25 Nm (18 ft lb)



6 -Speedometer Vehicle Speed Sensor (VSS) -G22-

- ◆ Handle carefully; accuracy of speed signal may be impaired if sensor is dropped or otherwise damaged

7 -O-ring

- ◆ Always replace

8 -Differential cover

- ◆ If replaced, ring gear must be adjusted => page [39-57](#)

9 -O-ring

- ◆ Always replace

10 -Speed sensor wheel

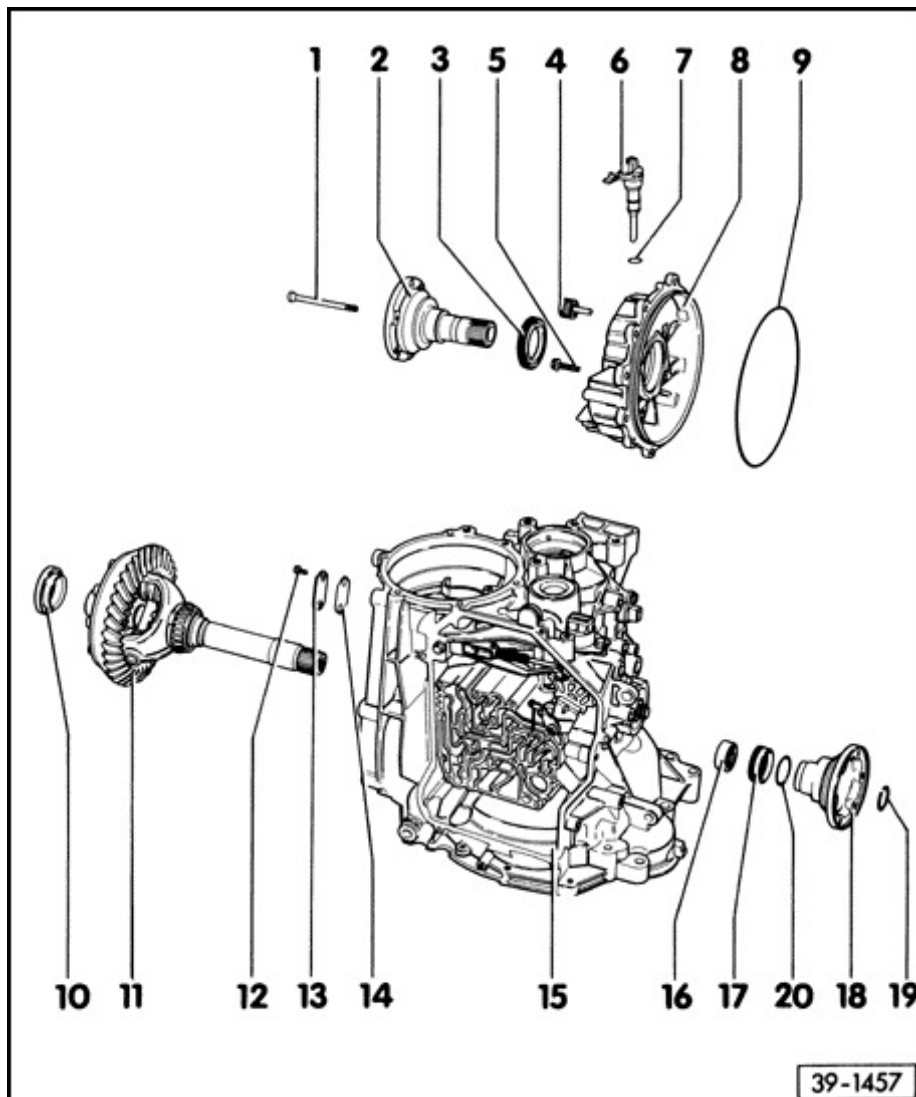
- ◆ For speedometer VSS -6-

11 -Differential

- ◆ Disassembling and assembling => page [39-25](#)
- ◆ Adjusting ring gear => page [39-57](#)

12 -Bolt

- ◆ 10 Nm (7 ft lb)

13 -Axle breather cover**14 -Gasket****15 -Transmission housing****16 -Needle bearing**

◆ Removing => Fig. [2](#)

◆ Installing => Fig. [3](#)

17 -Oil seal for drive flange

◆ Remove with VW681

◆ Installing => Fig. [4](#)

18 -Drive flange

◆ Pulling out => Fig. [5](#)

◆ Installing => Fig. [6](#)

19 -Circlip

20 -O-ring

◆ Always replace

◆ Install in flange => Fig. [7](#)

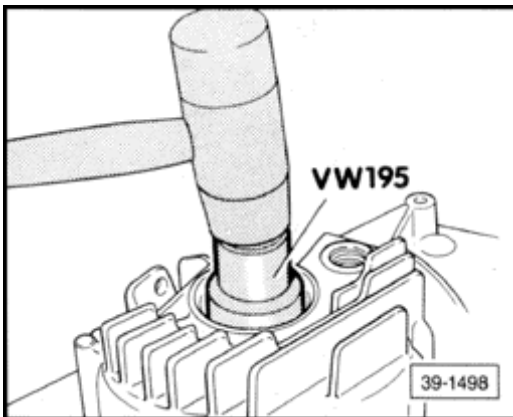


Fig. 1 Driving in oil seal for flanged shaft

- Lubricate space between sealing lips with gear oil.

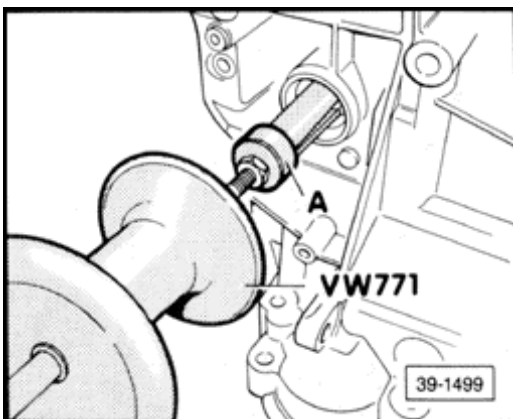


Fig. 2 Pulling out needle bearing

A - Kukko extractor 21/5

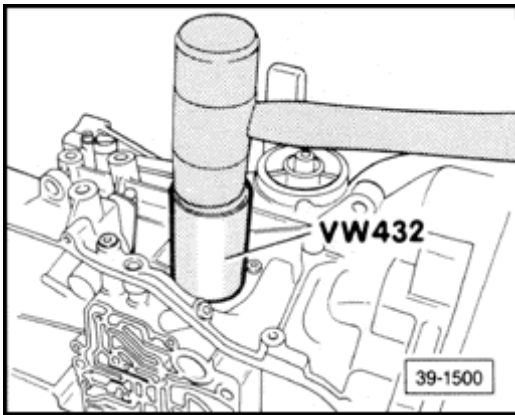


Fig. 3 Driving in needle bearing

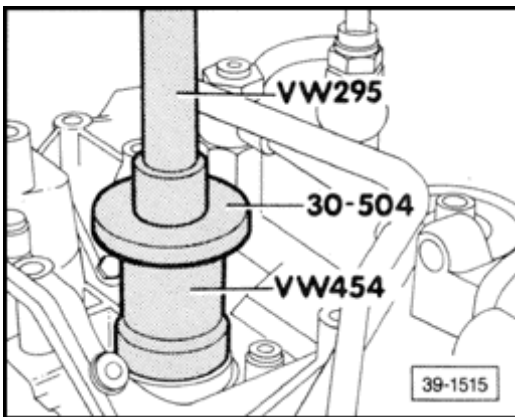


Fig. 4 Driving in oil seal for drive flange

- Lubricate space between sealing lips with gear oil.

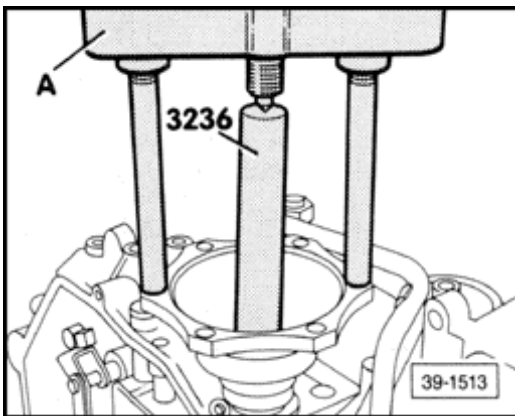


Fig. 5 Pulling off drive flange

A - Kukko puller 18/1

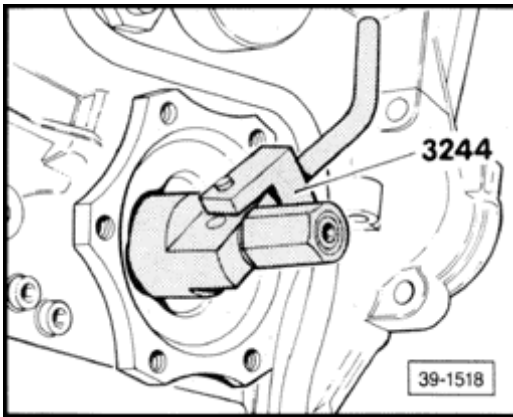


Fig. 6 Pulling in drive flange

Note:

Install the O-ring before installing the flange => Fig. 7.

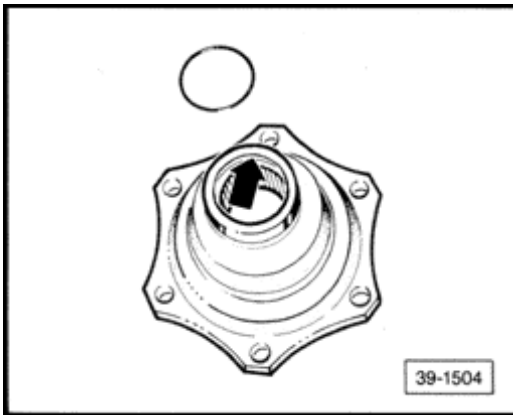


Fig. 7 Installing O-ring

- Install in groove in drive flange (arrow).