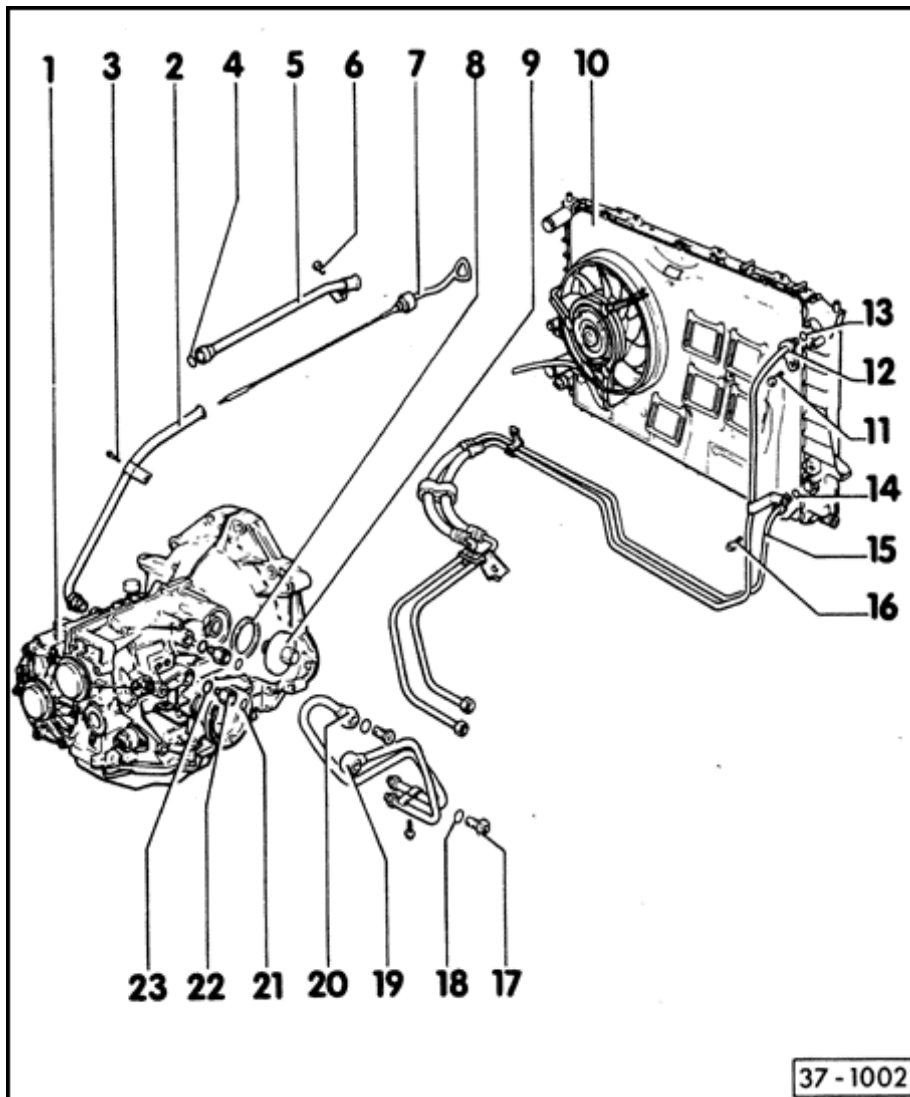


Audi > B3 Platform > 1994 - 1998**4 Spd. Automatic Transmission 097****37 - Automatic Transmission - Controls, Housing****ATF lines and filler pipe, removing and installing****1 -Transmission housing****2 -ATF filler tube**

- ◆ Secure to oil pan
- ◆ 80 Nm (59 ft lb)

3 -Bolt

- ◆ 10 Nm (7 ft lb)

4 -O-ring

- ◆ Always replace

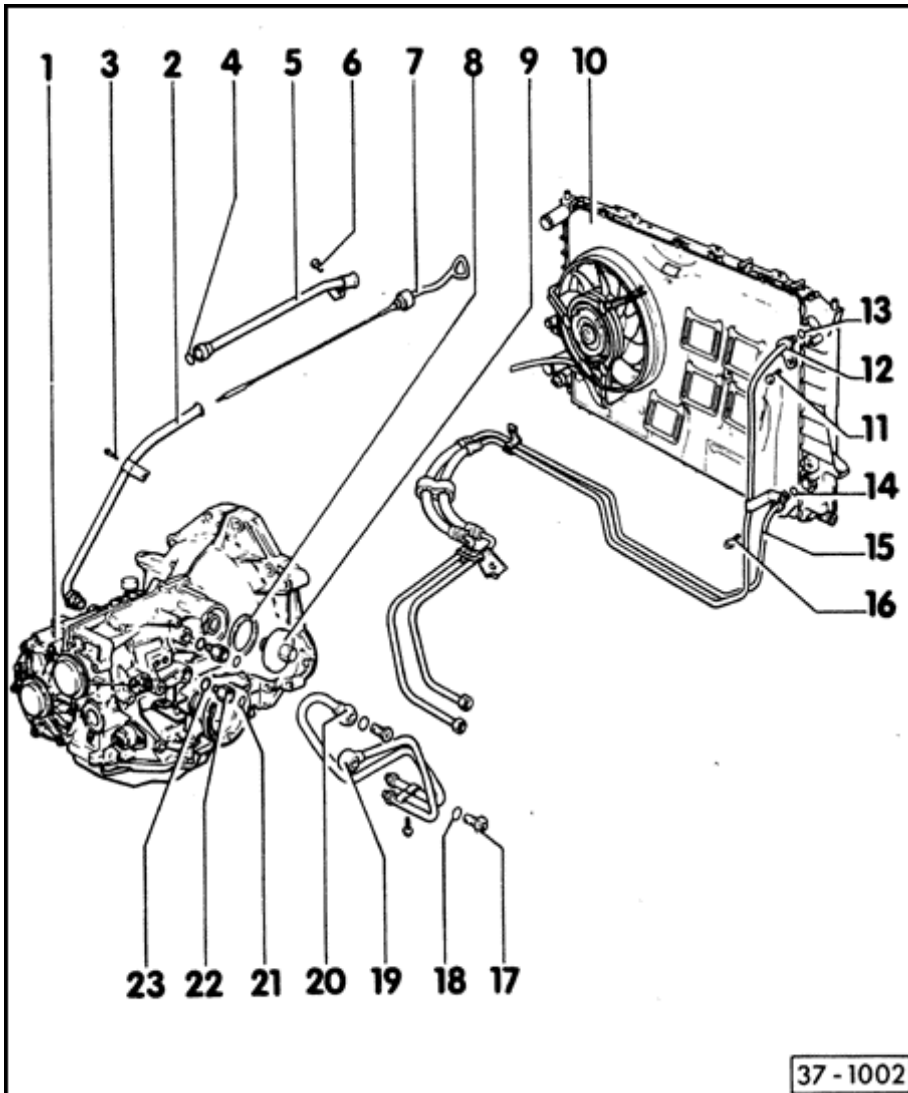
- ◆ Only on transmissions with two-piece (split) filler pipe

5 -ATF filler tube

- ◆ Two-piece (split) version
- ◆ Installed on some engine versions

6 -Bolt

- ◆ 10 Nm (7 ft lb)



7 -ATF dipstick

- ◆ Checking ATF level => page [00-6](#)

8 -Sealing ring

- ◆ Always replace
- ◆ Install in oil cooler cover
- ◆ Lubricate slightly with ATF

9 -Oil cooler cover

- ◆ 25 Nm (18 ft lb)

10 -Radiator

- ◆ With integrated ATF cooler

11 -Bolt

- ◆ 10 Nm (7 ft lb)

12 -Return line

- ◆ With hose and securing clamps

13 -O-ring

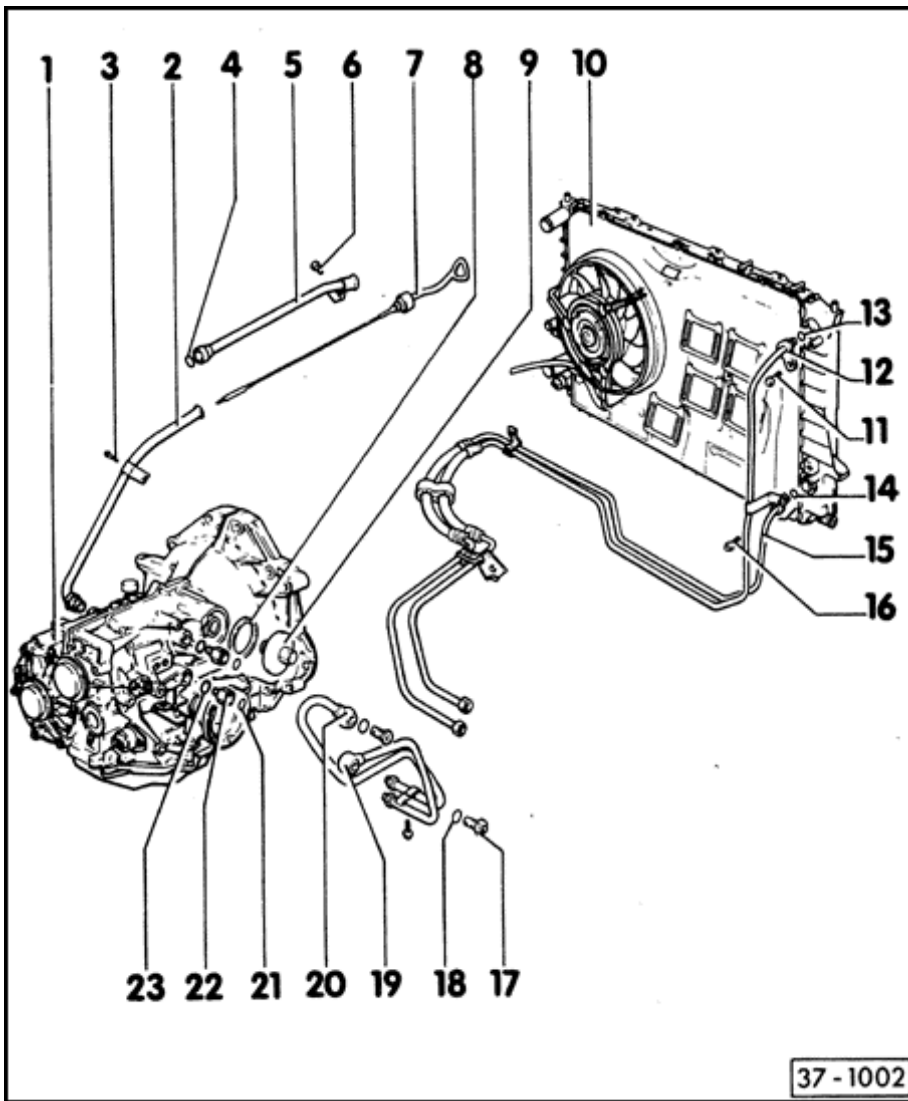
- ◆ Always replace

14 -O-ring

- ◆ Always replace

15 -Supply line

- ◆ With hose and securing clamps

**16 -Bolt**

- ◆ 10 Nm (7 ft lb)

17 -Banjo bolt

- ◆ 30 Nm (22 ft lb)

18 -Washer

- ◆ Always replace

19 -Supply line

- ◆ Secure to supply union at transmission housing
- ◆ 40 Nm (30 ft lb)

20 -Return line

- ◆ Secure to return union at transmission housing
- ◆ 40 Nm (30 ft lb)

21 -Washer

- ◆ Always replace

22 -Union

- ◆ 60 Nm (44 ft lb)

23 -O-ring

- ◆ Always replace