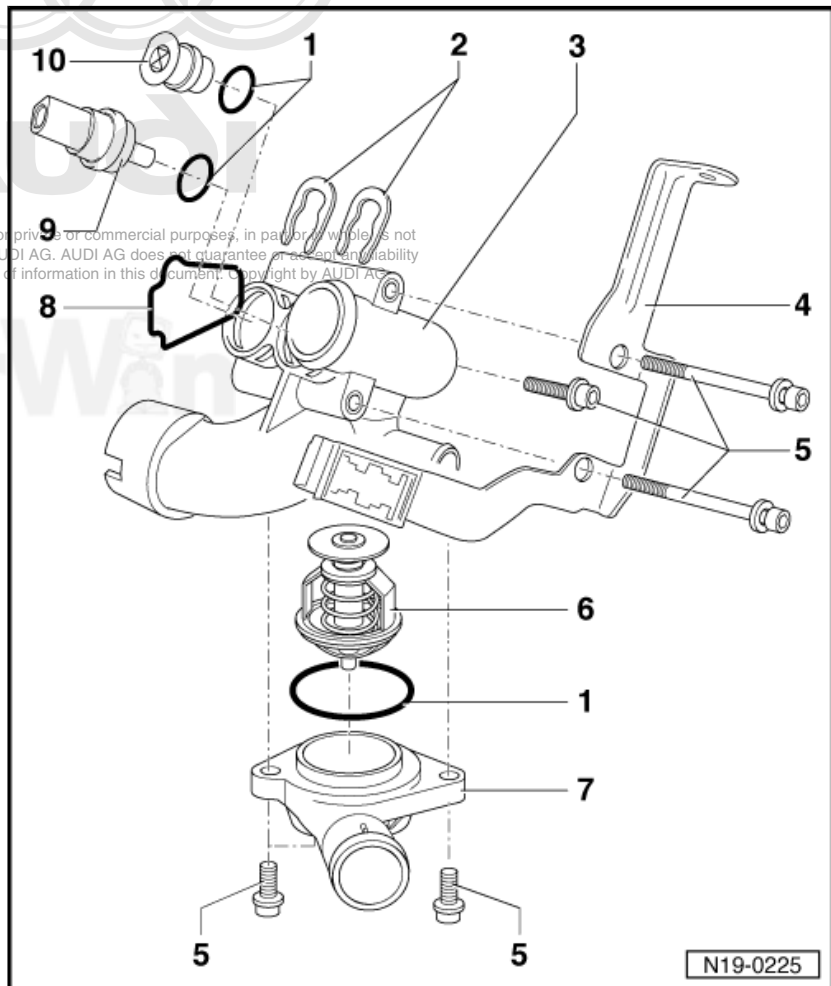


2.2 Coolant Thermostat Housing Component Overview

- 1 - O-ring
 - Replace
- 2 - Retaining Clip
- 3 - Thermostat Housing
 - Removal and installation, refer to ["5.2 Coolant Thermostat Housing", page 179](#)
- 4 - Bracket
- 5 - 10 Nm
- 6 - Coolant Thermostat
 - Removal and installation, refer to ["5.3 Coolant Thermostat", page 184](#)
 - Checking ⇒ [page 174](#)
- 7 - Connecting Piece
- 8 - Gasket
 - Replace
- 9 - Engine Coolant Temperature (ECT) Sensor -G62-
 - With engine coolant temperature (ECT) gauge sensor -G2-
 - If necessary, release pressure in cooling system before removing
- 10 - Sealing Plugs
 - If necessary, release pressure in cooling system before removing



2.3 Radiator and Radiator Fan Component Overview

1 - Coolant Fan -V7-

- Removal and installation, refer to [⇒ "5.7 Coolant Fan and Coolant Fan 2", page 194](#)
- Note the wire routing [⇒ page 196](#)

2 - 5 Nm

3 - Lower Coolant Hose

- To connection for coolant regulator

4 - Retaining Clip

5 - Coolant Fan Control (FC) Thermal Switch -F18- - 35 Nm

6 - O-ring

- Replace

7 - O-ring

- Replace if damaged

8 - Upper Coolant Hose

- To connection sleeve at cylinder head

9 - O-ring

- Replace if damaged

10 - Radiator

- Removal and installation, refer to [⇒ "5.6 Radiator", page 191](#)
- After replacing replace entire amount of coolant

11 - Bracket

- for radiator

12 - 5 Nm

13 - Support

14 - 5 Nm

15 - Fan Rib

16 - 5 Nm

17 - Coolant Fan 2 -V177-

- Removal and installation, refer to [⇒ "5.7 Coolant Fan and Coolant Fan 2", page 194](#)
- Note the wire routing [⇒ page 196](#)

