

Connectors on reversing camera system control unit -J772-

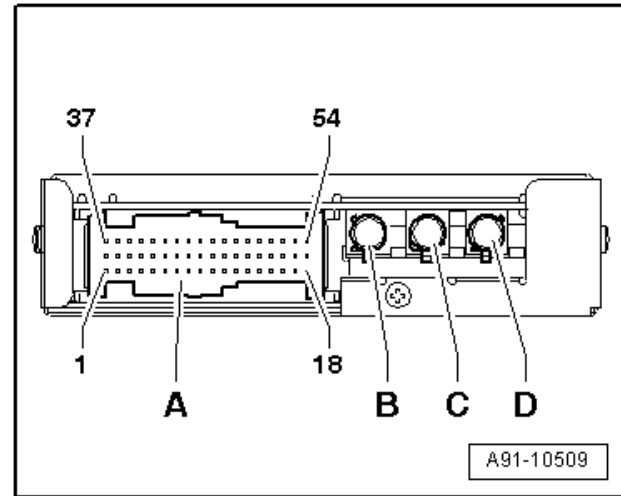
Reversing camera system control unit -J772-

- A - Multi-pin connector, 54-pin, black (T54)
- B - FBAS input (brown) from TV tuner -R78- (up to week 35/08)
 - Not used (from week 36/08 onwards)
- C - FBAS output (green) to DVD player -R7-/display unit for front information display and operating unit control unit -J685- (up to week 35/08)
 - FBAS output (green) to control unit 1 for information electronics -J794- (from week 36/08 onwards)
- D - FBAS input (grey) from reversing camera -R189-



Note

Contacts which are not listed are not used.



A - Multi-pin connector, 54-pin, black (T54)

- 39 - CAN Bus Low (convenience)
- 40 - CAN Bus High (convenience)
- 43 - Terminal 30
- 44 - Terminal 31
- 47 - Terminal 31 to reversing camera -R189-
- 48 - Voltage supply for reversing camera -R189-

