
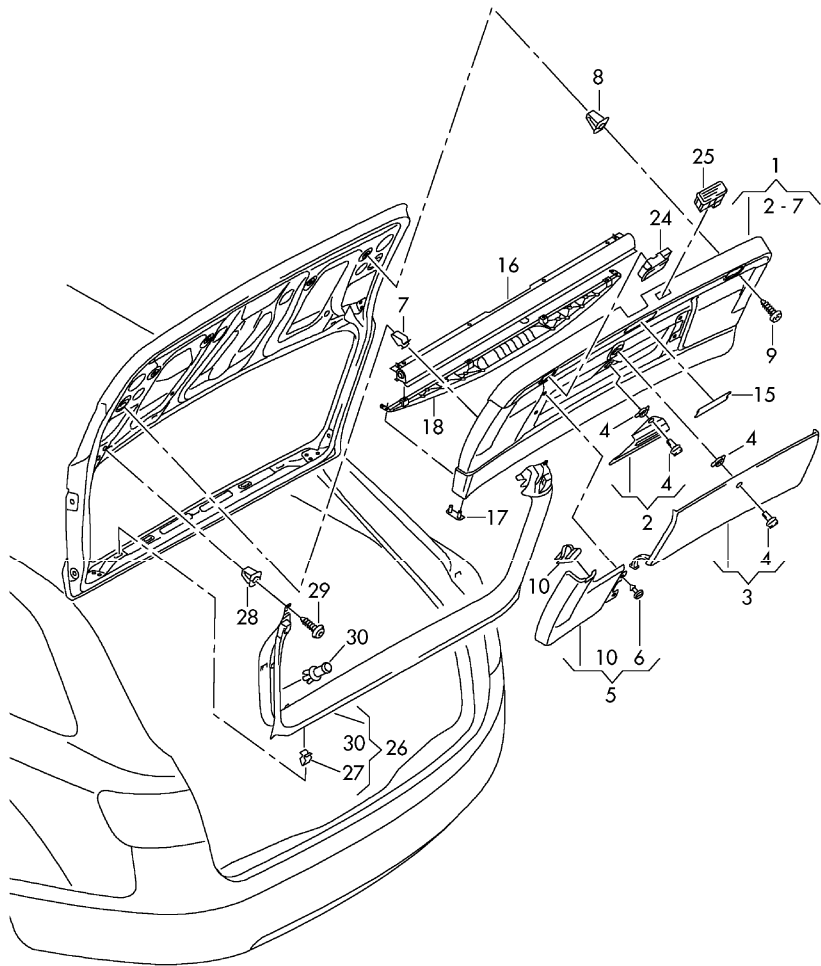




Model	Year	MG	SG	Illustration	Restrictions	UPD	17:51	03.10.2012		ETKA
A6	2006	8	67	867-95		931				



Pos	Part Number	Description	Remark	Qty	Model
		rear lid trim panel			AVANT
(1)	4F9 867 979 D	rear lid trim panel	lower	1	PR-3Y0+4E0, 4E2,4E4
	03/05-02/09SQB	indigo blue	-MF		
	03/05-02/09SQC	agate grey/light platinum	-NQ		
	03/05-05/06SQD	kamut beige/torrone (beige)	-NR		
	06/06-02/09VTP	camut beige/cardamom beige	-MC		
(1)	4F9 867 979 M	rear lid trim panel	lower	1	PR-3Y0+4E0, 4E2,4E4
		also use:	4F9 827 520 D		
	03/05-02/09SQA	soul (black)	-NK,NL,NM,QE, QL,QU,QX,ZM, ZQ,QQ		
(1)	4F9 867 979 D	rear lid trim panel	lower	1	PR-3Y0+4E7, 4E9
		modify in workshop			
	03/05-02/09SQB	indigo blue	-MF		
	03/05-02/09SQC	agate grey/light platinum	-NQ		
	03/05-05/06SQD	kamut beige/torrone (beige)	-NR		
	06/06-02/09VTP	camut beige/cardamom beige	-MC		
(1)	4F9 867 979 M	rear lid trim panel	lower	1	PR-3Y0+4E7, 4E9
		modify in workshop			
		also use:	4F9 827 520 D		
	03/05-02/09SQA	soul (black)	-NK,NL,NM,QE, QL,QU,QX,ZM, ZQ,QQ		
	03/05-02/09SQB	indigo blue	-MF		
	03/05-02/09SQC	agate grey/light platinum	-NQ		
	03/05-05/06SQD	kamut beige/torrone (beige)	-NR		
	06/06-02/09VTP	camut beige/cardamom beige	-MC		
(1)	4F9 867 979 E	rear lid trim panel	lower	1	PR-3Y1,3Y3+ 4E0,4E2,4E5
		for vehicles with roller sunblind to rear window			
	03/05-02/09SQB	indigo blue	-MF		

Model	Year	MG	SG	Illustration	Restrictions	UPD	17:51	03.10.2012		ETKA
A6	2006	8	67	867-95		931				

Pos	Part Number	Description	Remark	Qty	Model	Pos	Part Number	Description	Remark	Qty	Model
	03/05-02/09SQC	agate grey/light platinum	-NQ				03/05-02/09VV2	soul (black)	-NK, NL, NM, QE, QL, QU, QX, ZM, ZQ, QQ		
	03/05-05/06SQD	kamut beige/torrone (beige)	-NR								
	06/06-02/09VTP	camut beige/cardamom beige	-MC				03/05-02/09XX1	indigo	-MF		
(1)	4F9 867 979 N	rear lid trim panel for vehicles with roller sunblind to rear window	lower	1	PR-3Y1,3Y3+4E0,4E2,4E5		03/05-02/09YY4	light platinum (grey)	-NQ		
		also use:	4F9 827 520 D				03/05-05/06ZZ6	torrone (beige)	-NR		
	03/05-02/09SQA	soul (black)	-NK, NL, NM, QE, QL, QU, QX, ZM, ZQ, QQ			4	4F9 867 799	rot. knob		2	
(1)	4F9 867 979 E	rear lid trim panel for vehicles with roller sunblind to rear window modify in workshop	lower	1	PR-3Y1,3Y3+4E7,4E9		03/05-02/091DH	agate grey	-NQ		
	03/05-02/09SQB	indigo blue	-MF				03/05-02/091GK	kamut beige	-NR, MC		
	03/05-02/09SQC	agate grey/light platinum	-NQ				03/05-02/094D9	indigo	-MF		
	03/05-05/06SQD	kamut beige/torrone (beige)	-NR				03/05-02/096PS	soul (black)	-NK, NL, NM, QE, QL, QU, QX, ZM, ZQ, QQ		
	06/06-02/09VTP	camut beige/cardamom beige	-MC								
(1)	4F9 867 979 N	rear lid trim panel for vehicles with roller sunblind to rear window	lower	1	PR-3Y1,3Y3+4E7,4E9		4F9 867 657	cover tail light	left	1	
		also use:	4F9 827 520 D				03/05-02/09VV2	soul (black)	-NK, NL, NM, QE, QL, QU, QX, ZM, ZQ, QQ		
	03/05-02/09SQA	soul (black)	-NK, NL, NM, QE, QL, QU, QX, ZM, ZQ, QQ			(5)	03/05-02/09XX1	indigo	-MF		
-	4F9 827 520 D	cover for bonnet lock		1			03/05-02/09YY4	light platinum (grey)	-NQ		
-	8E0 831 575 A	insulation strip (self-adhesive)	300X15X20	X			03/05-05/06ZZ6	torrone (beige)	-NR		
2	4F9 860 285	retainer for warning triangle		1			06/06-02/09U43	cardamom beige	-MC		
3	4F9 863 995	cover warning triangle		1			4F9 867 658	cover tail light	right	1	
							03/05-02/09VV2	soul (black)	-NK, NL, NM, QE, QL, QU, QX, ZM, ZQ, QQ		
							03/05-02/09XX1	indigo	-MF		
							03/05-02/09YY4	light platinum (grey)	-NQ		
							03/05-05/06ZZ6	torrone (beige)	-NR		
							06/06-02/09U43	cardamom beige	-MC		

Model	Year	MG	SG	Illustration	Restrictions	UPD	17:51	03.10.2012		ETKA
A6	2006	8	67	867-95		931				

Pos	Part Number	Description	Remark	Qty	Model	Pos	Part Number	Description	Remark	Qty	Model
6	4F9 867 447	turning lock		4		(26)	4F9 867 973 A	rear lid trim panel	upper	1	PR-3Y1, 3Y3
7	4A0 867 276	clip	22,3	6			03/05-02/091DH	agate grey	-NQ		
8	811 807 577 C	insert nut		6			03/05-02/091GK	kamut beige	-NR,MC		
9	N 106 595 01	hexagon socket head panel bolt	4,8X38	6			03/05-02/094D9	indigo	-MF		
15	4F9 867 747	cover emergency release	lower centre	1			03/05-02/096PS	soul (black)	-NK,NL,NM,QE, QL,QU,QX,ZM, ZQ,QQ		
	03/05-02/09EC3	light platinum (grey)	-NQ				-	8P0 863 453	stop buffer modify in workshop	upper	X
	03/05-02/094D9	indigo	-MF			27	1J0 863 265	clip			9
	03/05-02/096PS	soul (black)	-NK,NL,NM,QE, QL,QU,QX,ZM, ZQ,QQ			28	811 807 577 C	insert nut			2
	03/05-05/068C1	torrone (beige)	-NR,MC			29	N 908 298 03	hexagon socket head panel bolt	5X14,5		2
	06/06-02/0912T	cardamom beige	-MC								
16		roller sunblind see illustration:	861-05								
17		cover cap roller sunblind see illustration:	861-05								
18		cover roller sunblind see illustration:	861-05								
24		light see illustration:	947-10								
25	3D0 959 831 D	push button for electric lid lock actuator		1	PR-4E7, 4E9						
	03/05-02/0920H	black									
26	4F9 867 973	rear lid trim panel	upper	1	PR-3Y0						
	03/05-02/091DH	agate grey	-NQ								
	03/05-02/091GK	kamut beige	-NR,MC								
	03/05-02/094D9	indigo	-MF								
	03/05-02/096PS	soul (black)	-NK,NL,NM,QE, QL,QU,QX,ZM, ZQ,QQ								