

Removing and installing tank flap



Note

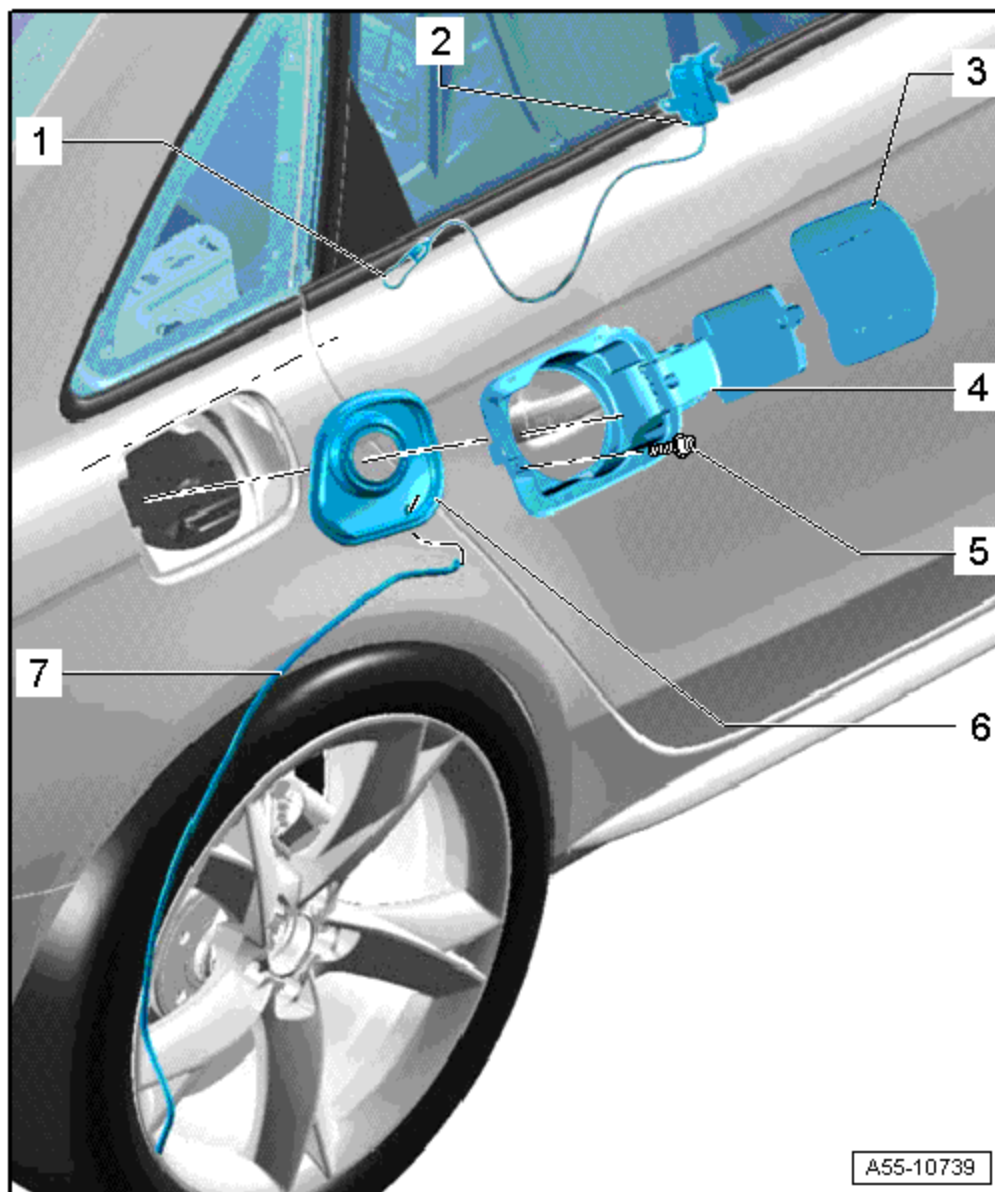
After it has been removed, fuel tank flap must be renewed.

1 - Cable for manual release

- Guide cable through opening in tank flap cup.

2 - Tank filler flap locking motor -V 155-

- Removing:
 - Tank flap removed
 - Detach cable from convenience system central control unit - J393- in luggage compartment and pull through towards the front.
 - Detach tank filler flap locking motor - V 155- from body flange towards the front and unplug electrical connector.
- Installing:
 - Push tank filler flap locking motor -V 155- onto flange and at the same time push manual release through into luggage compartment.



3 - Lid for tank flap

- Removing → Fig.

4 - Tank flap

- Insert tank flap at an angle until retaining tabs engage at flange in side panel.
- Bolt together tank flap and tank filler flap locking motor with bolt -4-.

5 - Bolt

- 1.7 Nm

6 - Tank flap cup

7 - Drain hose

- Must not be kinked.

Removing tank flap

1 - Tank flap cup

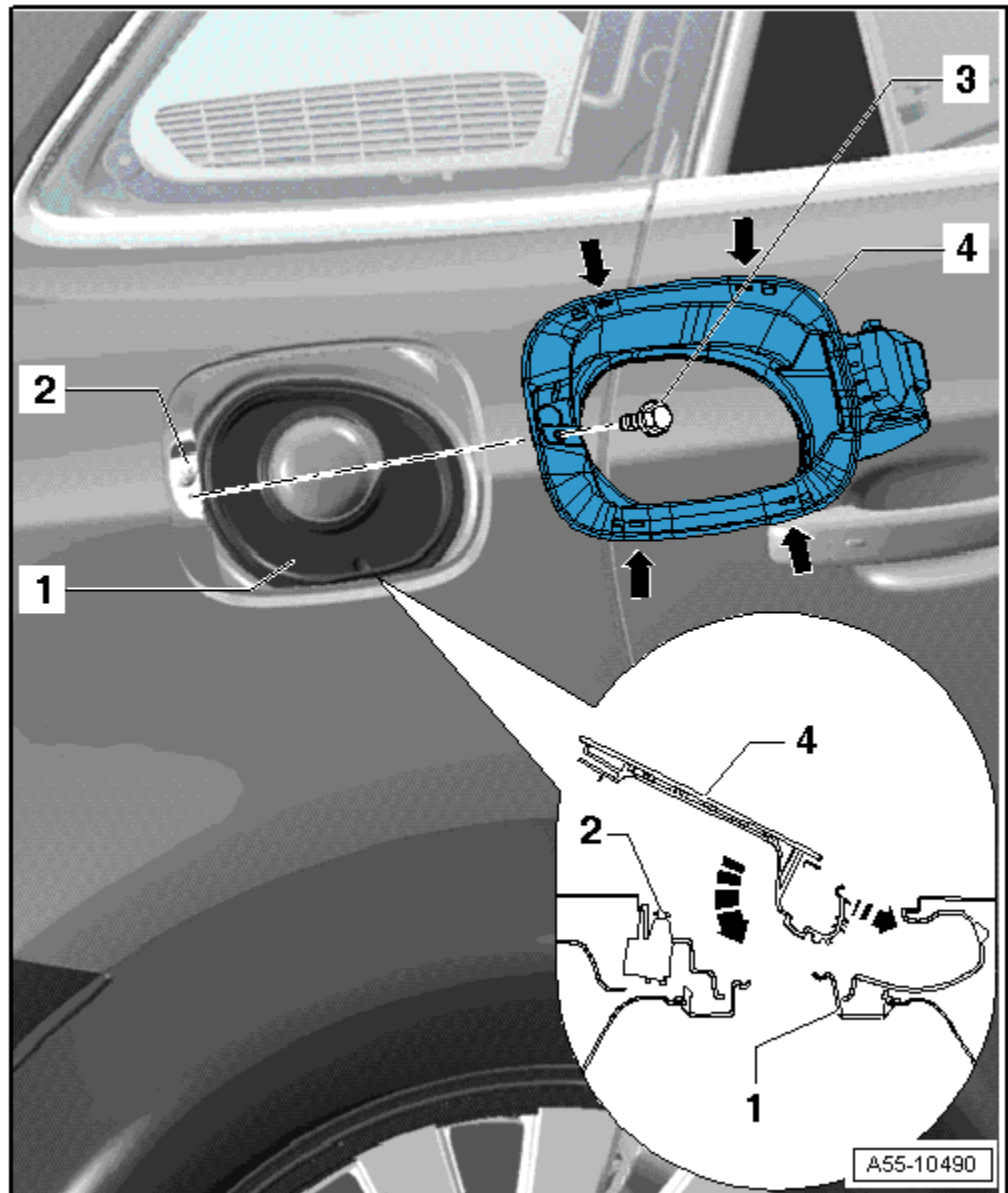
2 - Tank filler flap locking motor -V 155-

3 - Bolt

- 1.7 Nm

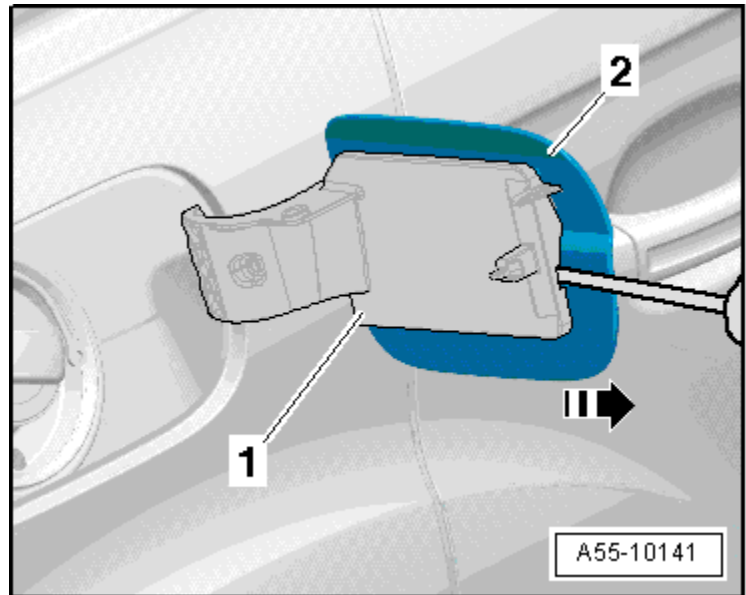
4 - Tank flap

- To remove, unscrew bolt - 3-, release fuel tank flap - arrows- → Anchor and pull out of side panel at an angle, starting from the rear.
- Guide manual release cable through opening in tank flap cup.



Removing lid for tank flap

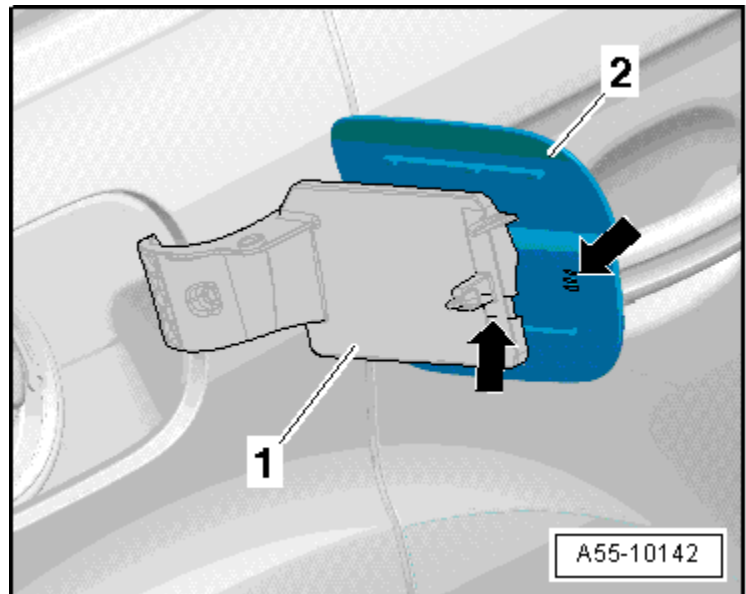
- Insert a screwdriver between flap -2- and flap mounting -1- as shown to release retainer.
- Pull flap slightly towards rear -arrow- out of retainer.
- Detach flap to the side.



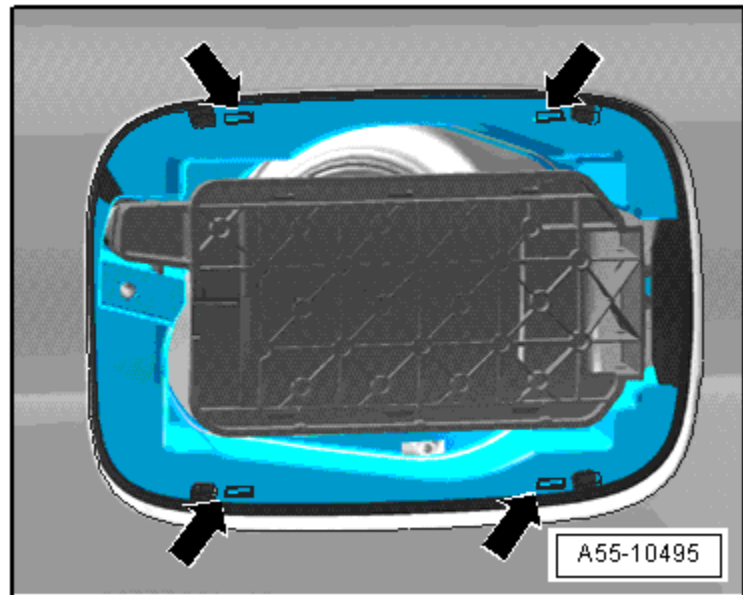
Installing lid for fuel tank flap

- Insert flap into recesses on mounting.
- Push flap -2- forwards until retainer -arrows- on mounting -1- engages.

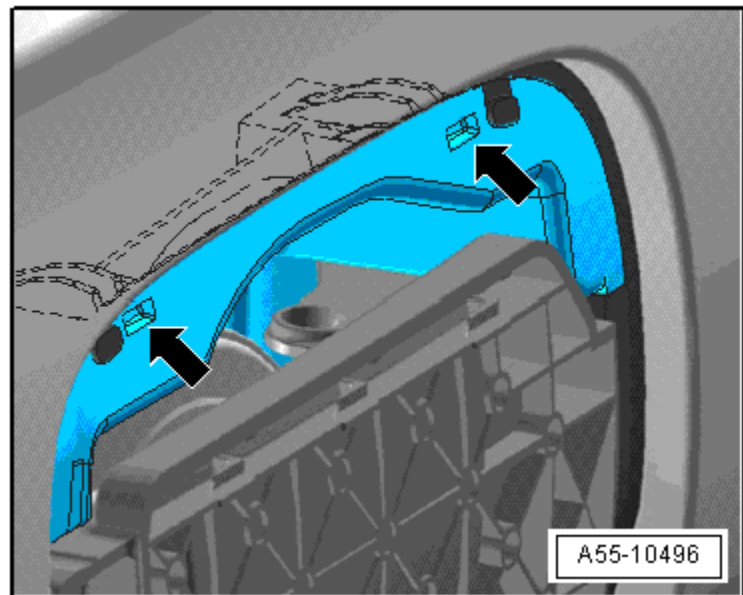
Removing tank flap unit



- Release tank flap unit at marked locations -arrows-.

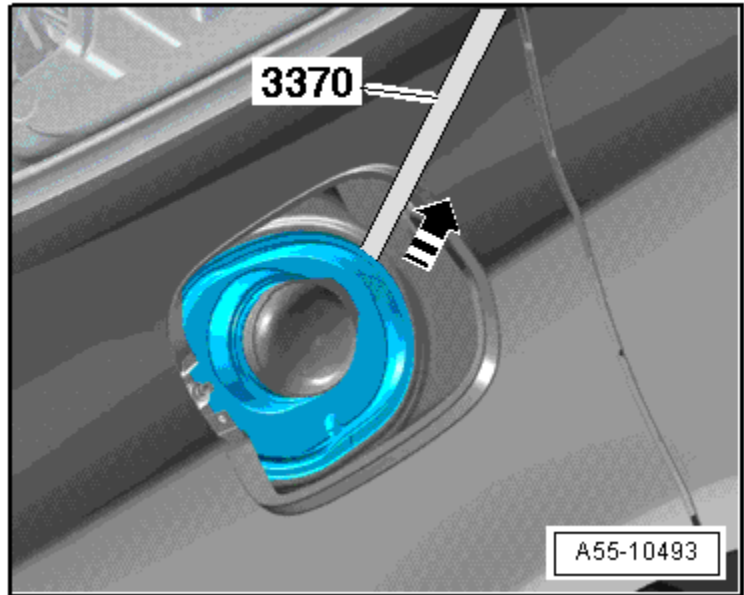


- To do so, insert a small screwdriver through marked locations in tank flap unit from below at an angle and over catches (in direction of arrows).
- Pull screwdriver upwards slightly to release catches behind.
- Pull tank flap unit out of opening (one catch at a time).



Removing tank flap cup

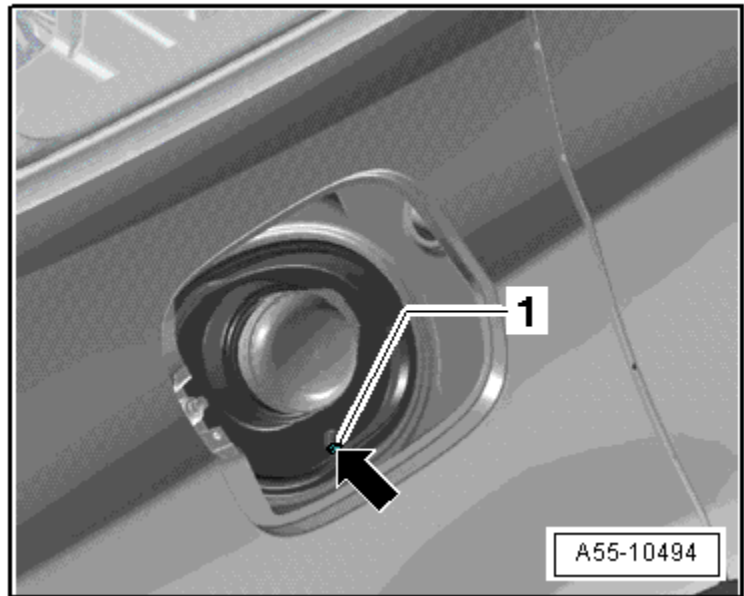
- ◆ Tank flap removed
- Lift tank flap cup vertically out of body opening with front-end hook -3370-.



Installing tank flap cup

Installation is carried out in the reverse order; note the following:

- To be able to route drain hose without kinking, edge of drain hole of tank flap cup must be flush with edge of hole in body - arrow-



Manual release for tank flap

1 - Tank filler flap locking motor -V 155-

2 - Cable for manual release

- Insert tank filler flap locking motor -V 155- with cable through tank flap opening, as shown.
- Pull cable

