
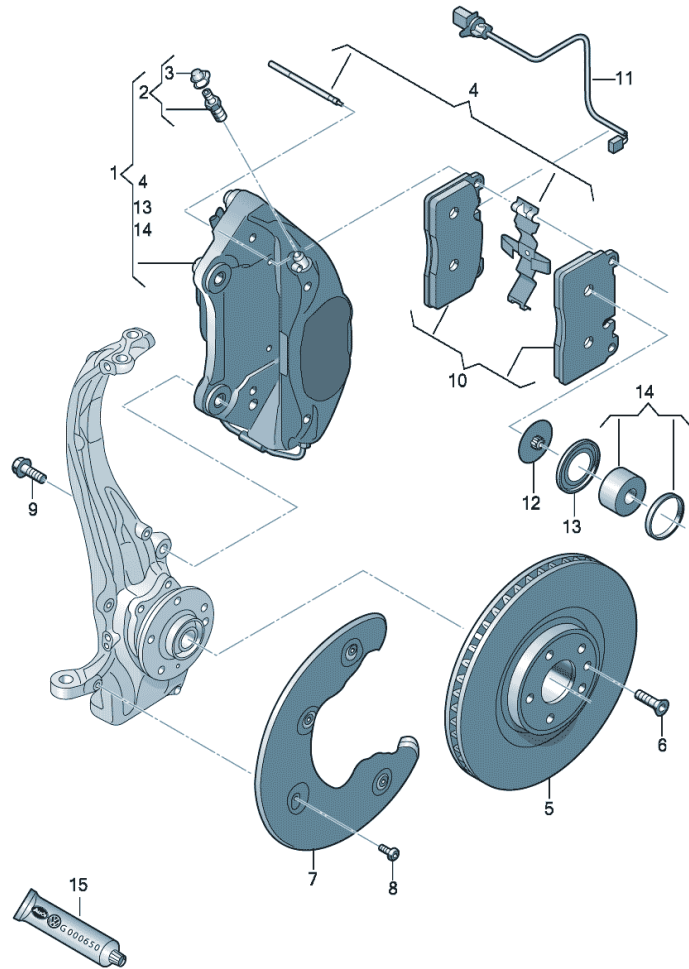


Model	Year	MG	SG	Illustration	Restrictions	UPD	22:17	03.01.2013		ETKA
AQ5	2013	6	15	615-45		944				



Pos	Part Number	Description	Remark	Qty	Model
		fixed-calliper brake brake caliper housing calliper carrier brake disc (vented)	BREMBO front 345X30MM 5/112		PR-1LE, 1LP
1	8R0 615 107 A	caliper without brake pads	left	1	
(1)	8R0 615 108 A	caliper without brake pads	right	1	
2	8A0 615 273	breather valve and dust cap		4	
3	211 611 483	dust cap		4	
4	8R0 698 269	1 set attachment parts		2	
5	4G0 615 301	brake disc (vented)	345X30 5/112	2	
6	N 106 483 01	hex socket countersunk bolt	M6X16	2	
7	8K0 615 311 H	cover plate for brake disc	left	1	
(7)	8K0 615 312 H	cover plate for brake disc	right	1	
8	N 107 414 02	hexagon socket flat head bolt	M6X14	8	
9	N 911 476 01	bolt,hex.hd.with shoul.(combi)	M14X1,5X48	4	
10	8R0 698 151 C	1 set of brake pads for disk brake	345X30MM	1	PR-1LP
		also use:	8R0 615 121 A	1	
(10)	8R0 698 151 D	1 set of brake pads for disk brake	345X30MM	1	PR-1LE
		also use:	8R0 615 121 A	1	
11	8R0 615 121 A	contacts	left	1	
13	8R0 698 472	gasket set for fixed calliper		2	
14	8R0 698 471 A	set of gaskets for brake caliper housing		2	
15	G 052 150 A2	lithium lubricating grease	180G	1	