
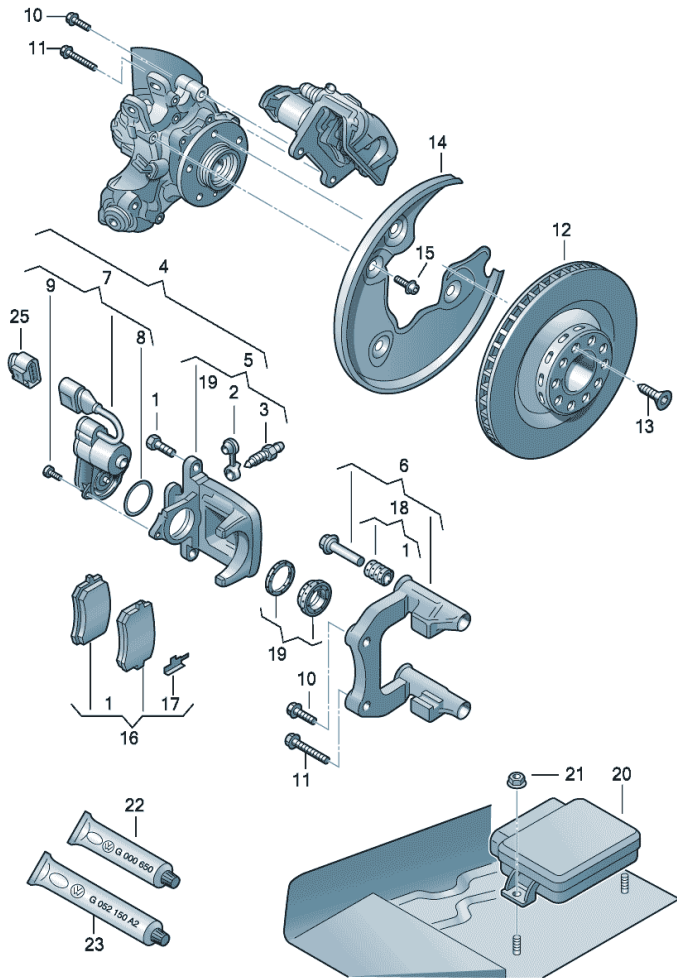



Model	Year	MG	SG	Illustration	Restrictions	UPD	22:20	03.01.2013		ETKA
AQ5	2013	6	15	615-70		944				



Pos	Part Number	Description	Remark	Qty	Model
		floating caliper brake brake caliper housing brake carrier with pad retaining pin brake disc (vented)	TRW-GIRLING rear 330X22MM 5/112		PR-1KE,2EL
1	N 010 241 24	bolt, hex. hd. with shoulder, self-locking	M8X22	2	
(1)	WHT 001 921	balance weight with hexagon bolt	M8X22,15	2	
2	211 611 483	dust cap		2	
3	1K0 615 273 C	breather valve		2	
4	8K0 615 403 C	brake caliper housing with servomotor	left	1	
(4)	8K0 615 404 C	brake caliper housing with servomotor	right	1	
5		no replacement part		X	
6	8K0 615 425	brake carrier with pad retaining pin	left	1	
(6)	8K0 615 426	brake carrier with pad retaining pin	right	1	
7	8K0 998 281 A	servomotor for brake calliper housing with assembly parts		2	
8	4E0 615 137	o-ring		2	
9	N 102 855 06	socket head bolt with inner hex round head	M6X12	4	
10	N 910 417 02	self-locking bolt	M12X1,5X38	2	
11	N 911 268 01	self-locking bolt	M12X1,5X62	2	
12	4H0 615 601 H	brake disc (vented)	330X22MM 5/112	2	
13	N 106 483 01	hex socket countersunk bolt	M6X16	2	
14	8K0 615 611 A	cover plate for brake disc	left	1	
(14)	8K0 615 612 A	cover plate for brake disc	right	1	
15	WHT 005 227	oval hexagon socket head bolt	M6X12	X	

Model	Year	MG	SG	Illustration	Restrictions	UPD	22:20	03.01.2013		ETKA
AQ5	2013	6	15	615-70		944				

Pos	Part Number	Description	Remark	Qty	Model	Pos	Part Number	Description	Remark	Qty	Model
(16)	8K0 698 451 D	1 set of brake pads for disk brake	330X22MM	1	PR-1KE						
		use if required:	WHT 001 921	2							
(16)	8K0 698 451 E	1 set of brake pads for disk brake	330X22MM	1	PR-2EL						
		use if required:	WHT 001 921	2							
17	3D0 615 231	retaining spring		4							
18	8K0 698 470 A	1 set protective sleeves for guide pins		2							
19		no replacement part		X							
20	8K0 907 801 K	control unit for electro- mechanical parking brake ***** *determination of installed *part number only possible *by reading out with vag *tester ***** D >> - 02.07.2012		1							
(20)	8K0 907 801 L	control unit for electro- mechanical parking brake ***** *determination of installed *part number only possible *by reading out with vag *tester ***** D - 02.07.2012>> - 27.05.2013		1							
21	N 015 082 10	hexagon collar nut	M6	1							
22	G 000 650	solid lubricant paste	100G	X							
23	G 052 150 A2	lithium lubricating grease	180G	X							
25	3B0 973 722 A	flat contact housing	2 pin	2							