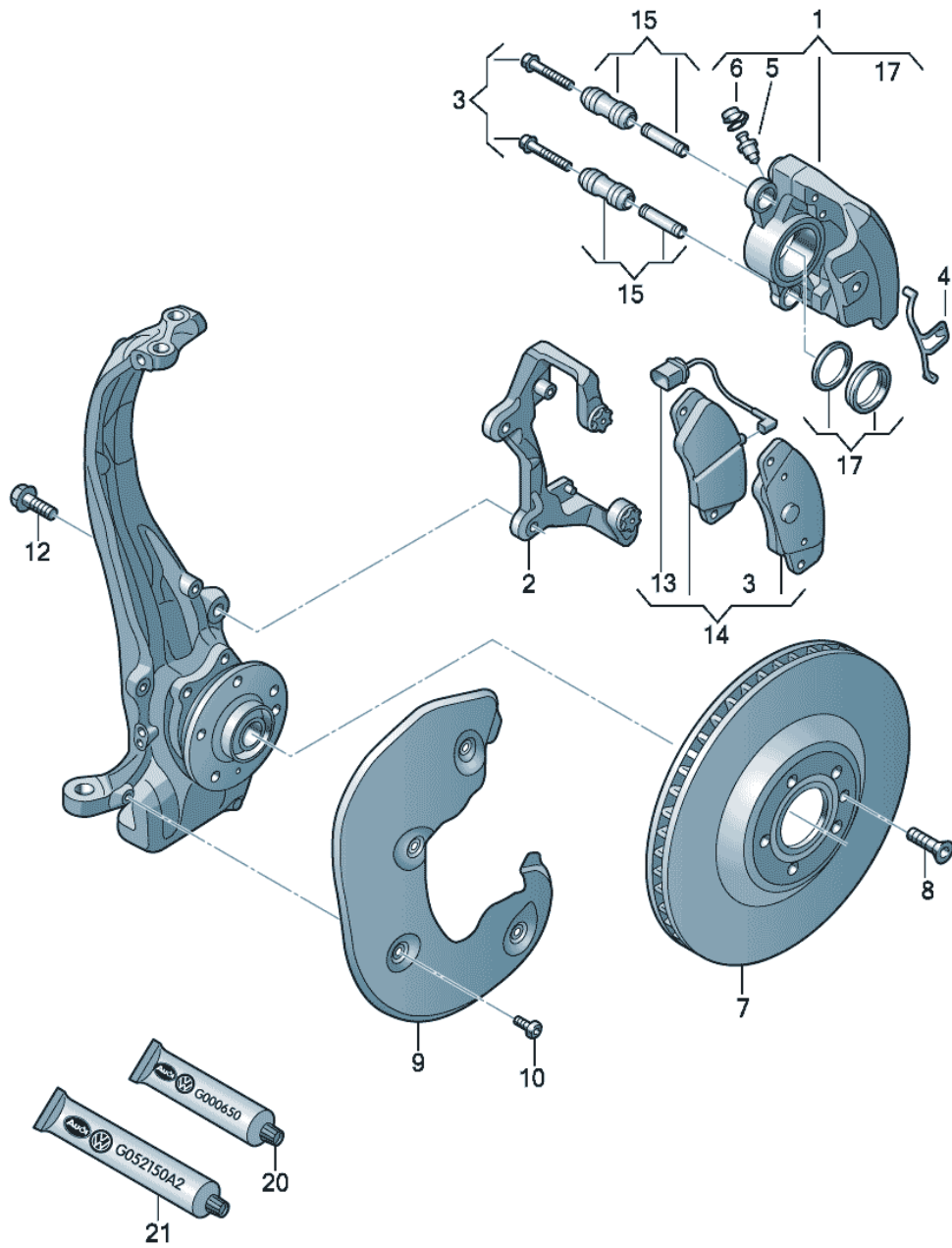




ETKA

| Model | Year | MG | SG | Illustration | Restrictions | UPD | 2:29 | 13.06.2013 |
|-------|------|----|----|--------------|--------------|-----|------|------------|
| AQ5 | 2009 | 6 | 15 | 615-40 | | 968 | | |





ETKA

| | | | | | | | | |
|-------|------|----|----|--------------|--------------|-----|------|------------|
| Model | Year | MG | SG | Illustration | Restrictions | UPD | 2:29 | 13.06.2013 |
| AQ5 | 2009 | 6 | 15 | 615-40 | | 968 | | |

| Pos | Part Number | Description | Remark | Qty | Model |
|-----|---------------|---|--|-----|--------|
| | | floating caliper brake brake caliper housing calliper carrier brake disc (vented) D >> - 20.06.2011 | TRW-GIRLING front 320X30MM 5/112 | | PR-1LA |
| 1 | 8K0 615 123 D | brake caliper housing D >> - 22.02.2010 | left | 1 | |
| (1) | 8K0 615 123 E | brake caliper housing D - 22.02.2010>> | left | 1 | |
| (1) | 8K0 615 124 D | brake caliper housing D >> - 22.02.2010 | right | 1 | |
| (1) | 8K0 615 124 E | brake caliper housing D - 22.02.2010>> | right | 1 | |
| 2 | 8K0 615 125 | calliper carrier | | 2 | |
| 3 | 8K0 698 135 A | 1 set attachment parts | | 2 | |
| 4 | 8K0 615 269 A | retaining spring | | 2 | |
| 5 | 1K0 615 273 C | breather valve | | 2 | |
| 6 | 7D0 611 483 | dust cap | | 2 | |
| 7 | 8K0 615 301 A | brake disc (vented) | 320X30MM 5/112 | 2 | |
| 8 | N 106 483 01 | hex socket countersunk bolt | M6X16 | 2 | |
| 9 | 8K0 615 311 D | cover plate for brake disc | left | 1 | |
| (9) | 8K0 615 312 D | cover plate for brake disc | right | 1 | |
| 10 | N 107 414 02 | hexagon socket flat head bolt | M6X14 | 8 | |
| 12 | N 911 476 01 | bolt,hex.hd.with shoul. (combi) | M14X1,5X48 | 4 | |
| 13 | 8T0 907 637 | contacts for vehicles with brake pad wear indicator | | 1 | |
| 14 | 8K0 698 151 C | 1 set: brake pads with wear indicator for disc brake | 320X30MM front | 1 | |
| 15 | 8K0 698 470 | 1 set protective sleeves with guide pins | | 2 | |
| 17 | 8R0 698 471 | set of gaskets for brake caliper housing | | 2 | |
| 20 | G 000 650 | solid lubricant paste | 100G | X | |
| 21 | G 052 150 A2 | lithium lubricating grease | 180G | X | |