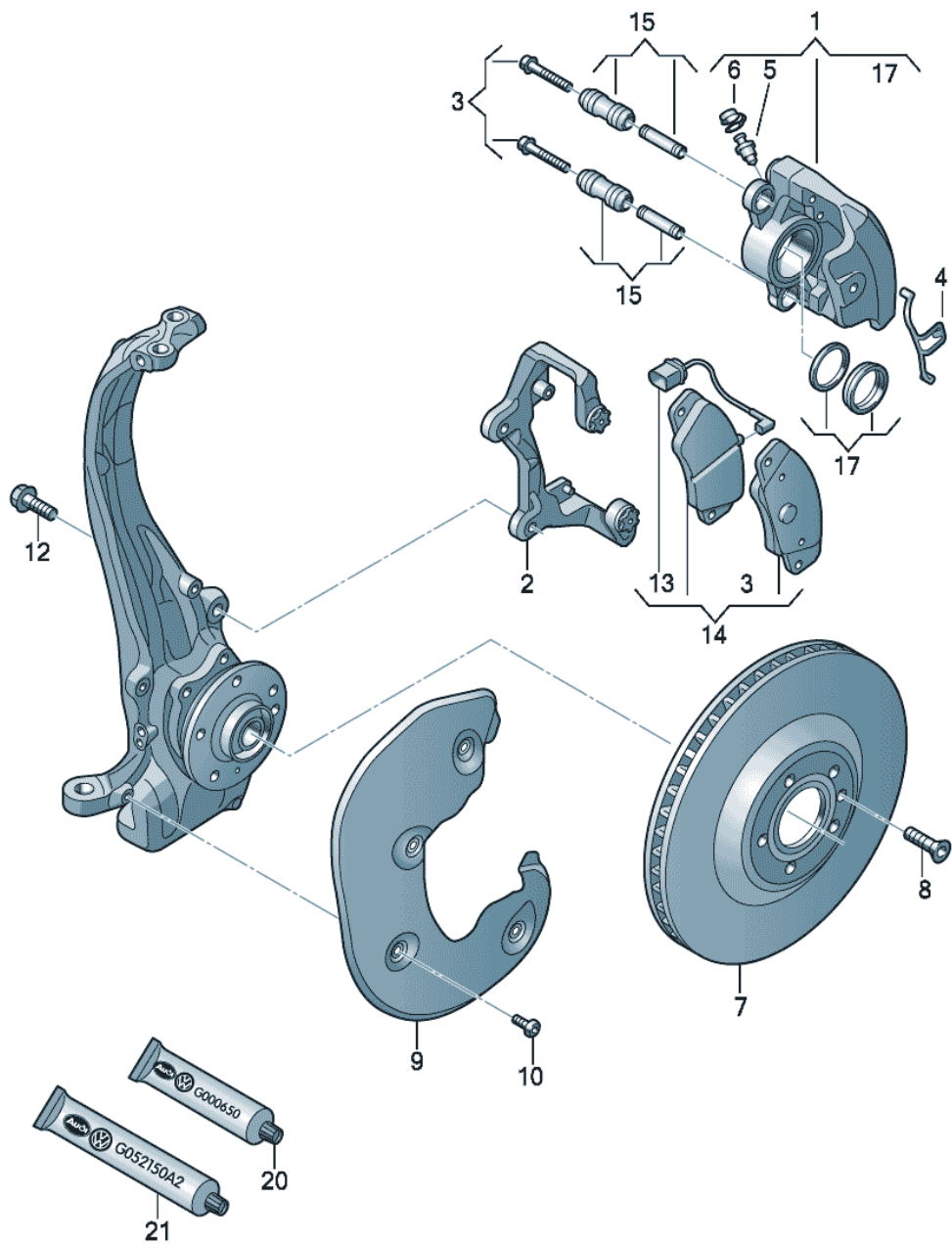




ETKA

Model	Year	MG	SG	Illustration	Restrictions	UPD	2:35	13.06.2013
AQ5	2009	6	15	615-55		968		





ETKA

Model	Year	MG	SG	Illustration	Restrictions	UPD	2:35	13.06.2013
AQ5	2009	6	15	615-55		968		

Pos	Part Number	Description	Remark	Qty	Model
		floating caliper brake brake caliper housing calliper carrier brake disc (vented) D - 20.06.2011>>	TRW-GIRLING front 345X30MM 5/112		PR-1LJ
1	8K0 615 123 J	brake caliper housing	left	1	
(1)	8K0 615 124 J	brake caliper housing	right	1	
2	4G0 615 125 A	calliper carrier		2	
		also use:	G 052 560 A2	1	
3	8K0 698 135 A	1 set attachment parts		2	
4	8K0 615 269 A	retaining spring		2	
5	1K0 615 273 C	breather valve		2	
6	211 611 483	dust cap		2	
7	4G0 615 301	brake disc (vented)	345X30MM 5/112	2	
8	N 106 483 01	hex socket countersunk bolt	M6X16	2	
9	8K0 615 311 D	cover plate for brake disc	left	1	
(9)	8K0 615 312 D	cover plate for brake disc	right	1	
10	N 107 414 02	hexagon socket flat head bolt	M6X14	8	
12	N 911 476 01	bolt,hex.hd.with shoul.(combi)	M14X1,5X48	4	
13	8K0 615 121	contacts for vehicles with brake pad wear indicator		1	
14	8R0 698 151 A	1 set: brake pads with wear indicator for disc brake	345X30MM	1	
		also use:	G 052 560 A2	1	
15	8K0 698 470 B	1 set protective sleeves with guide pins		2	
17	8R0 698 471	set of gaskets for brake caliper housing		2	
20	G 000 650	solid lubricant paste	100G	X	
(20)	G 052 560 A2	assembly paste	100G	X	
21	G 052 150 A2	lithium lubricating grease	180G	X	