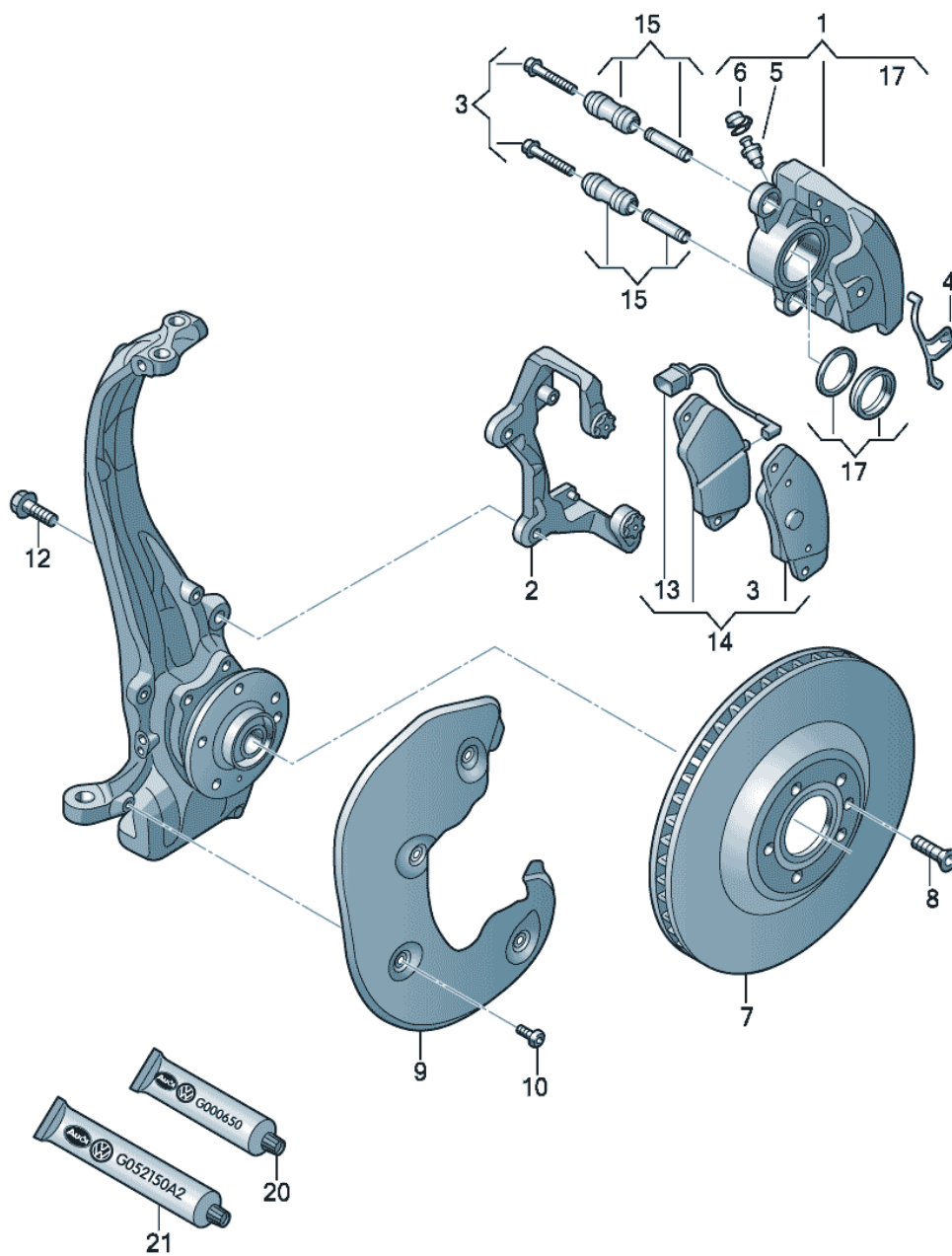




Audi

ETKA

Model	Year	MG	SG	Illustration	UPD	23:56	14.09.2013
AQ5	2012	6	15	615-040	983		





Audi

ETKA

Model	Year	MG	SG	Illustration	UPD	23:56	14.09.2013
AQ5	2012	6	15	615-040	983		

Pos	Part Number	Name	Remark	Qty	Model
		disc brake brake caliper caliper carrier brake disc (ventilated) D >> - 20.06.2011	TRW-GIRLING front 320X30MM 5/112		PR-1LA
1	8K0 615 123 D	brake caliper D >> - 22.02.2010	left	1	
(1)	8K0 615 123 E	brake caliper D - 22.02.2010>>	left	1	
(1)	8K0 615 124 D	brake caliper D >> - 22.02.2010	right	1	
(1)	8K0 615 124 E	brake caliper D - 22.02.2010>>	right	1	
2	8K0 615 125	caliper carrier		2	
3	8K0 698 135 A	1 set of securing parts		2	
4	8K0 615 269 A	retaining spring		2	
5	1K0 615 273 C	bleeder valve		2	
6	7D0 611 483	dust cap		2	
7	8K0 615 301 A	brake disc (ventilated)	320X30MM 5/112	2	
8	N 106 483 01	hex socket countersunk bolt	M6X16	2	
9	8K0 615 311 D	splash shield for brake disc	left	1	
(9)	8K0 615 312 D	splash shield for brake disc	right	1	
10	N 107 414 02	hexagon socket flat head bolt	M6X14	8	
12	N 911 476 01	bolt,hex.hd.with shoul. (combi)	M14X1,5X48	4	
13	8T0 907 637	contact for vehicles with brake pad wear indicator		1	
14	8K0 698 151 C	1 set of brake pads with wear indicator for disc brakes	320X30MM front	1	
15	8K0 698 470	1 set protective sleeves with guide pins		2	
17	8R0 698 471	set of seals for piston housing		2	
20	G 000 650	lubricating paste	100G	X	
21	G 052 150 A2	lithium-grease	180G	X	