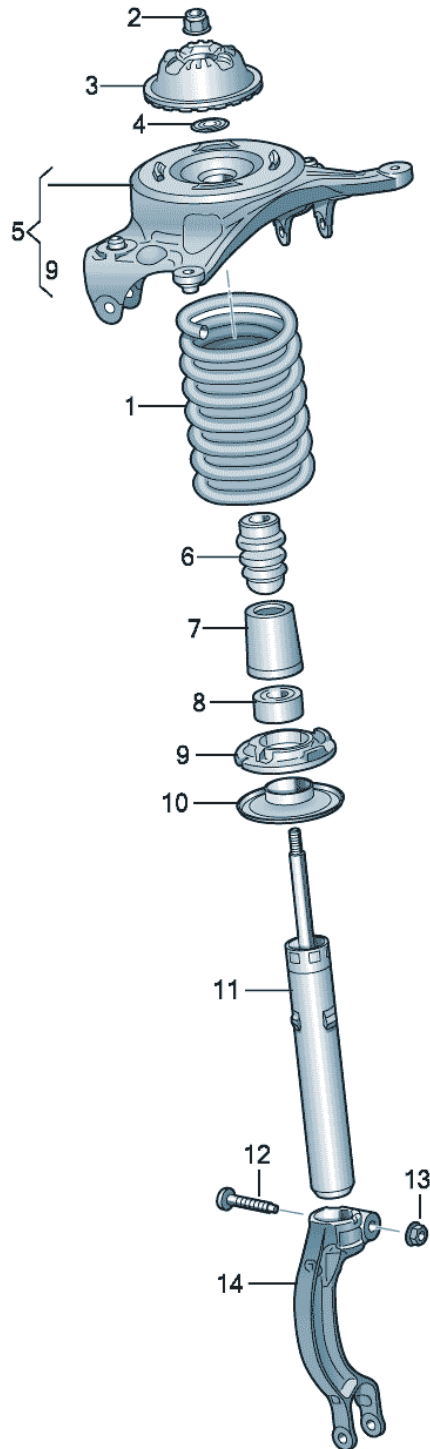




Audi

# ETKA

Model	Year	MG	SG	Illustration	Restrictions	UPD	8:23	14.03.2014
AQ5	2014	4	11	411-005		1006		





Audi

ETKA

Model	Year	MG	SG	Illustration	Restrictions	UPD	8:23	14.03.2014
AQ5	2014	4	11	411-005		1006		

Pos	Part Number	Description	Remark	Qty	Model
		suspension shock absorbers	front --SQ5--		CGQB
1	8R0 411 105 DF	coil spring 1 paint mark	green	2	PR-0JA
(1)	8R0 411 105 DG	coil spring 2 paint marks	green	2	PR-0JB+1BD
(1)	8R0 411 105 BA	coil spring 1 paint mark 2 paint marks	front brown white	2	PR-0JB+2MT
2	N 101 064 02	hexagon collar nut self-locking	M12X1,5	2	
3	8K0 412 377 C	mounting	upper	2	
4	WHT 001 484	washer	12,1X20X4	2	
5	8K0 412 391 F	bracket	left	1	
(5)	8K0 412 392 F	bracket	right	1	
6	8K0 412 131 E	rubber stop for shock absorber	81MM	2	PR-1BD
(6)	8R0 412 131 D	rubber stop for shock absorber	96MM	2	PR-2MT
7	8K0 412 137 A	protective sleeve	front	2	
8	8K0 412 127	protective cap		2	
9	8K0 412 109 A	underlay		4	
10	8K0 412 103 C	spring disc	lower	2	
11	8R0 413 031 AP	gas shock absorber ***** caution hazardous *****		2	PR-1BD
(11)	8R0 413 031 BA	gas shock absorber ***** caution hazardous *****		2	PR-2MT
12	N 104 213 04	hexagon head bolt (combi)	M12X1,5X80	2	
13	N 101 064 02	hexagon collar nut self-locking	M12X1,5	2	
14		suspension forks see illustration, item:	407-05,26	2	