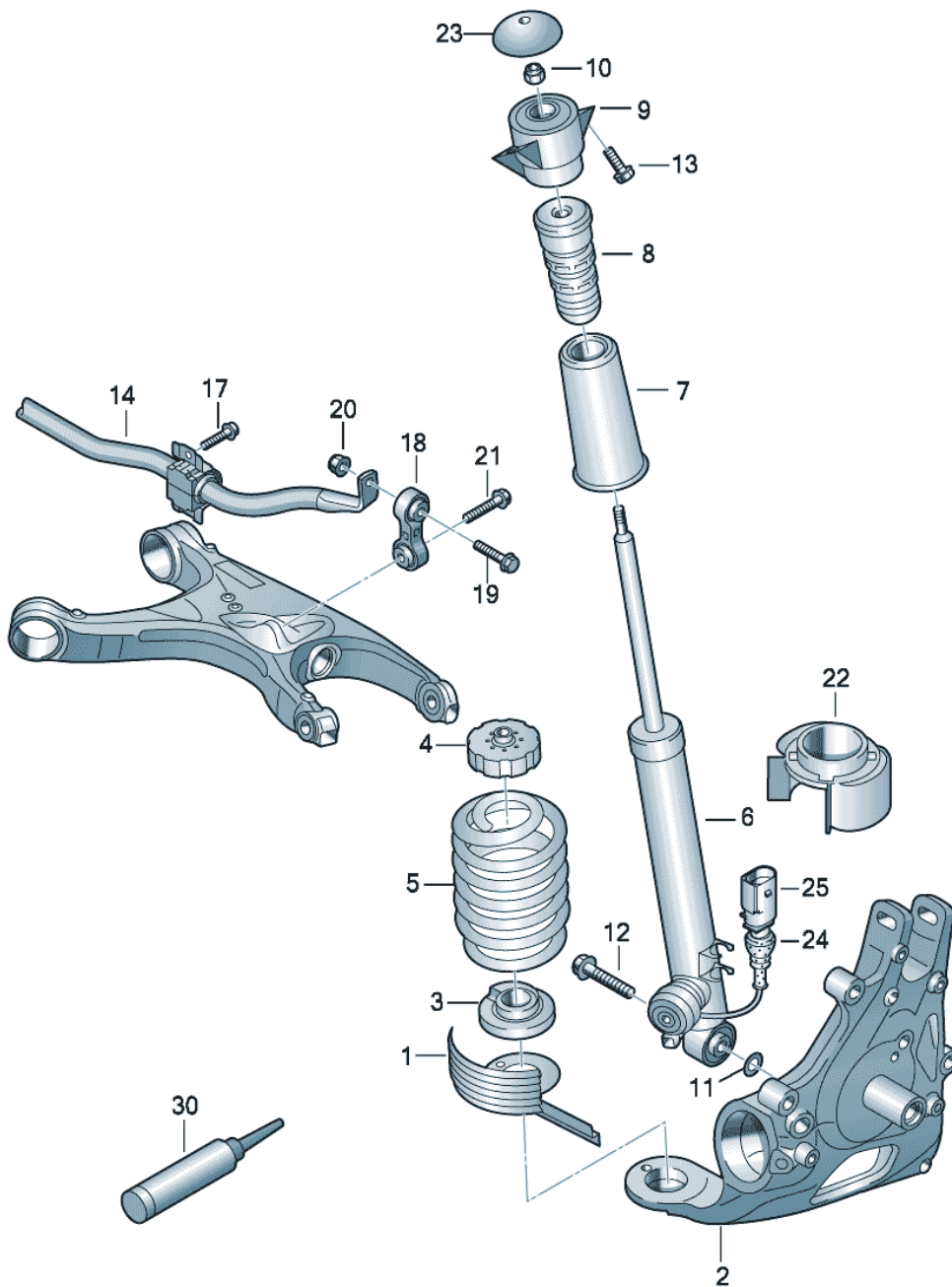




Audi

# ETKA

Model	Year	MG	SG	Illustration	Restrictions	UPD	8:24	14.03.2014
AQ5	2014	5	11	511-000		1006		





Audi

## ETKA

Model	Year	MG	SG	Illustration	Restrictions	UPD	8:24	14.03.2014
AQ5	2014	5	11	511-000		1006		

Pos	Part Number	Description	Remark	Qty	Model
		suspension anti-roll bar shock absorbers	rear		quattro
1	8R0 511 539 C	stone chip guard	left	1	
(1)	8R0 511 540 C	stone chip guard	right	1	
(2)		wheel bearing housing see illustration:	505-10	1	
3	8K0 512 297 E	spring support	lower	2	
4	8K0 512 149 C	spring support	upper	2	
5	8R0 511 115 BL	coil spring 1 paint mark 1 paint mark 2 paint marks	rear blue white green	2	PR-1BA,1BL, 1BV+0YB
(5)	8R0 511 115 BM	coil spring 1 paint mark 1 paint mark 2 paint marks	rear blue white orange	2	PR-1BA,1BL, 1BV+0YC
(5)	8R0 511 115 BN	coil spring 1 paint mark 1 paint mark 2 paint marks	rear blue white violet	2	PR-1BA,1BL, 1BV+0YD
(5)	8R0 511 115 BP	coil spring 1 paint mark 1 paint mark 2 paint marks	rear blue white blue	2	PR-1BA,1BL, 1BV+0YE
(5)	8R0 511 115 BQ	coil spring 1 paint mark 1 paint mark 1 paint mark	rear blue white brown	2	PR-1BA,1BL, 1BV+0YF
(5)	8R0 511 115 BR	coil spring 1 paint mark 1 paint mark 2 paint marks	rear blue white brown	2	PR-1BA,1BL, 1BV+0YG
(5)	8R0 511 115 BS	coil spring 1 paint mark 3 paint marks	rear blue brown	2	PR-1BA,1BL, 1BV+0YH
(5)	8R0 511 115 DA	coil spring 1 paint mark 1 paint mark	rear green yellow	2	PR-1BD+0YB
(5)	8R0 511 115 DB	coil spring 1 paint mark 2 paint marks	rear green yellow	2	PR-1BD+0YC
(5)	8R0 511 115 DC	coil spring 1 paint mark 3 paint marks	rear green yellow	2	PR-1BD+0YD



Audi

ETKA

Model	Year	MG	SG	Illustration	Restrictions	UPD	8:24	14.03.2014
AQ5	2014	5	11	511-000		1006		

Pos	Part Number	Description	Remark	Qty	Model
(5)	8R0 511 115 DD	coil spring 1 paint mark 1 paint mark	rear violet yellow	2	PR-1BD+0YE
(5)	8R0 511 115 CQ	coil spring 1 paint mark 1 paint mark 2 paint marks	rear yellow orange white	2	PR-2MT+0YB
(5)	8R0 511 115 CR	coil spring 1 paint mark 1 paint mark 2 paint marks	rear yellow orange blue	2	PR-2MT+0YC
(5)	8R0 511 115 CS	coil spring 1 paint mark 1 paint mark 2 paint marks	rear yellow orange brown	2	PR-2MT+0YD
(5)	8R0 511 115 CT	coil spring 1 paint mark 1 paint mark 2 paint marks	rear yellow brown grey	2	PR-2MT+0YE
6	8R0 513 035 R	gas shock absorber	MONROE	2	PR-1BA
(6)	8R0 513 035 AB	gas shock absorber	MONROE	2	PR-1BV
(6)	8R0 513 025 J	gas shock absorber	left ZF SACHS	1	PR-1BL
(6)	8R0 513 026 J	gas shock absorber	right ZF SACHS	1	PR-1BL
(6)	8R0 513 035 AE	gas shock absorber	MONROE	2	PR-1BD,2MT
7	4G0 512 137 A	protective sleeve		2	PR-1BA,1BV, 1BD,2MT
(7)	8K0 512 137 A	protective sleeve		2	PR-1BL
8	4G0 512 131 F	stop buffer D >> - 28.01.2013		2	PR-1BA,1BV
(8)	4G0 512 131 G	stop buffer D - 28.01.2013>>		2	PR-1BA,1BV
(8)	8R0 512 131 E	stop buffer		2	PR-1BL
(8)	4G0 512 131 G	stop buffer		2	PR-2MT
(8)	8R0 512 131 K	stop buffer		2	PR-1BD
9	8K0 513 353 E	shock absorber bearing	upper	2	
10	N 102 861 10	hexagon collar nut self-locking	M10	2	
11	WHT 002 389	washer	34X34X4	2	



Audi

## ETKA

Model	Year	MG	SG	Illustration	Restrictions	UPD	8:24	14.03.2014
AQ5	2014	5	11	511-000		1006		

Pos	Part Number	Description	Remark	Qty	Model
12	N 105 008 02	bolt, hex. hd. with shoulder, self-locking	M14X1,5X90	2	
13	N 910 661 01	hexagon head bolt (combi) D >> - 30.09.2013	M10X35	4	
(13)	N 912 225 01	hexagon head bolt (combi) D - 30.09.2013>>	M10X40	4	
14	8R0 511 305 Q	anti-roll bar	22,5 MM	1	
17	N 106 447 01	socket head collared bolt with inner multipoint head	M8X30	4	
18	8K0 505 465 G	coupling rod		2	
19	N 909 978 02	hex collared bolt	M10X65	2	
20	N 102 723 02	hexagon collar nut self-locking	M10	2	
21	N 909 978 02	hex collared bolt	M10X65	2	
22	8K0 511 533	stone chip guard		2	
23	8K0 512 135	protective cap		2	
24	1J0 906 102	grommet	8,2X40	2	PR-1BL
25	1J0 973 802	flat connector housing with contact locking mechanism	2 pin black	2	PR-1BL
30	DA 001 730 A2	2-pack epoxy adhesive	50ml	1	"RUS"