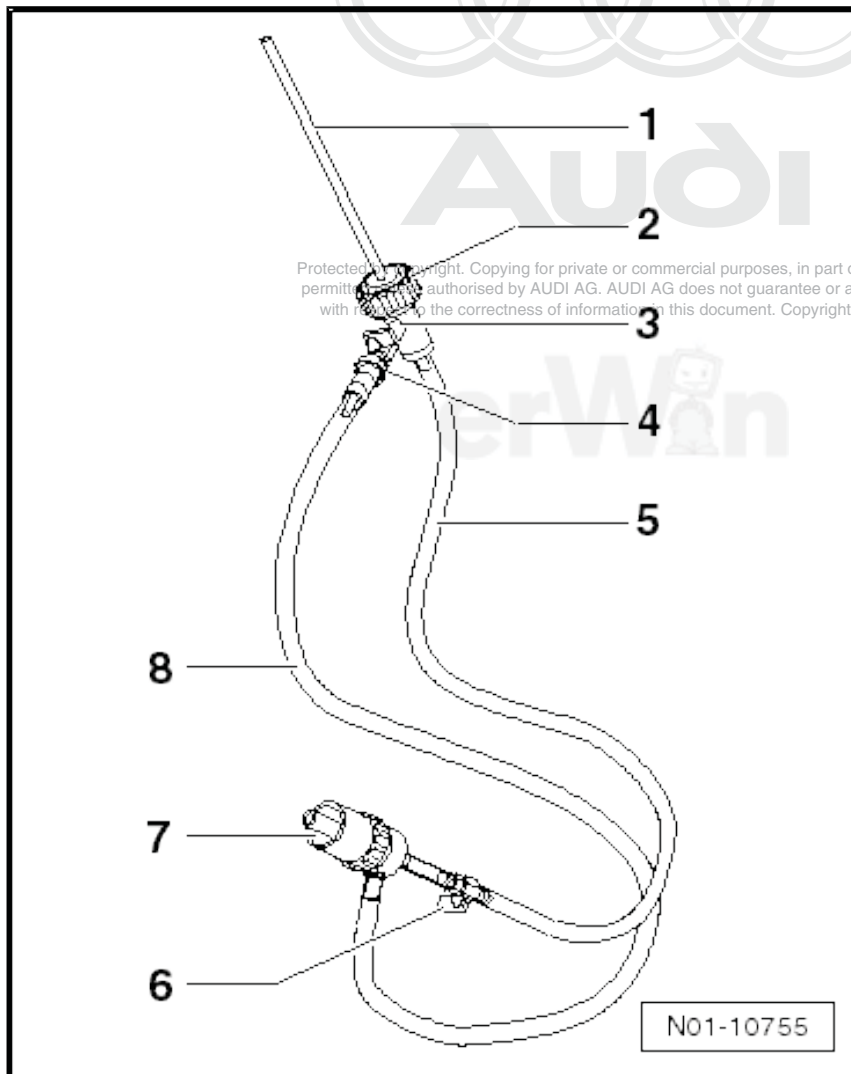




- 1 - Bleed line on the reducing agent bottle
- 2 - Reducing agent bottle union nut
- 3 - Vent hose shut-off valve (when ball valve is open: Lever faces wiring duct, shut-off valve closed: Lever runs counter to wiring duct)
- 4 - Quick-release coupling on the vent hose
- 5 - Filling hose
- 6 - Filling hose shut-off valve (when ball valve is open: Lever faces wiring duct, shut-off valve closed: Lever runs counter to wiring duct)
- 7 - Tank filler neck union nut
- 8 - Vent hose

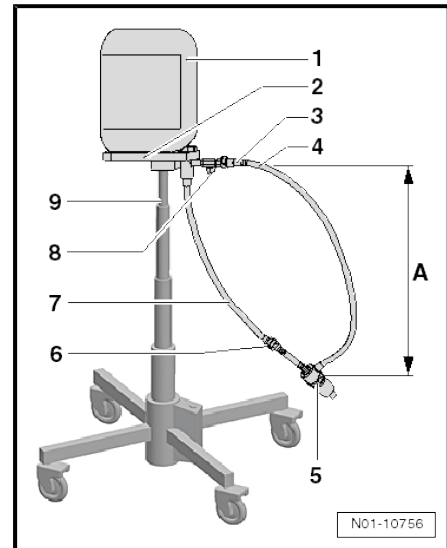
**Caution**

The lines on the AdBlue Filling Tool -VAS 6542- must never be bent or blocked. The vent hose rotates 360 °C making it easier to use.

Procedure:

- Open the tank.
- Use a lint-free cloth soaked in water to clean the reducing agent tank filler neck.
- Close the vent hose shut-off valve and AdBlue Filling Tool -VAS 6542- filling hose.
- Place the AdBlue Filling Tool -VAS 6542- onto the reducing agent bottle (see Electronic Parts Catalog [ETKA]) and tighten all the way.

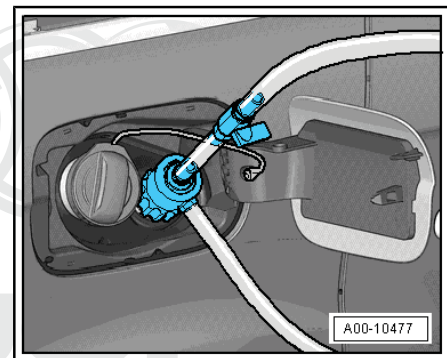
- Position the reducing agent bottle on the Engine/Transmission Jack -VAG 1383 A- with Adapter Plate -VAG 1383 A1-. The difference in height between the reducing agent bottle and the tank filler neck must somewhere be between 60 - 80 cm -dimension A-.



- Attach the AdBlue Filling Tool -VAS 6542- onto the filler tube on the vehicle and tighten it all the way.
- Open the vent hose shut-off valve.
- Open the filling hose shut-off valve and fill the reducing agent tank on the vehicle completely.

 **Note**

- ◆ *The reducing agent tank is full when:*
- ◆ *it is noticeable that the bottle is not contracting and expanding*
- ◆ *The bleed line fills with fluid.*
- ◆ *If the bottle should become empty while performing the filling procedure, repeat the previous procedure.*



- Close the filling hose shut-off valve on the tank.
- Close the vent hose shut-off valve on the bottle.
- Disconnect the quick-release coupling from the bleed line and have the extra fluid flow into a container specially for that purpose.
- If no more fluid flows out of the bleed line: Remove the AdBlue Filling Tool -VAS 6542- from the fuel tank filler neck.
- Use a lint-free cloth soaked in water to clean the fuel tank filler neck and fuel cap.
- Close the cap.
- Take the bottle from the adapter plate and lay it on the floor.
- Open the filling hose shut-off valve and drain any reducing agent still in the bottle.
- Remove the AdBlue Filling Tool -VAS 6542- from the bottle.