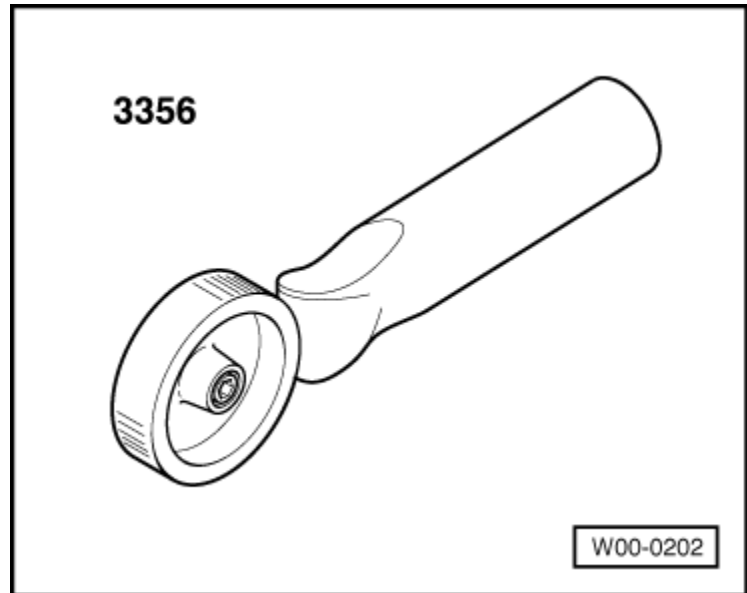


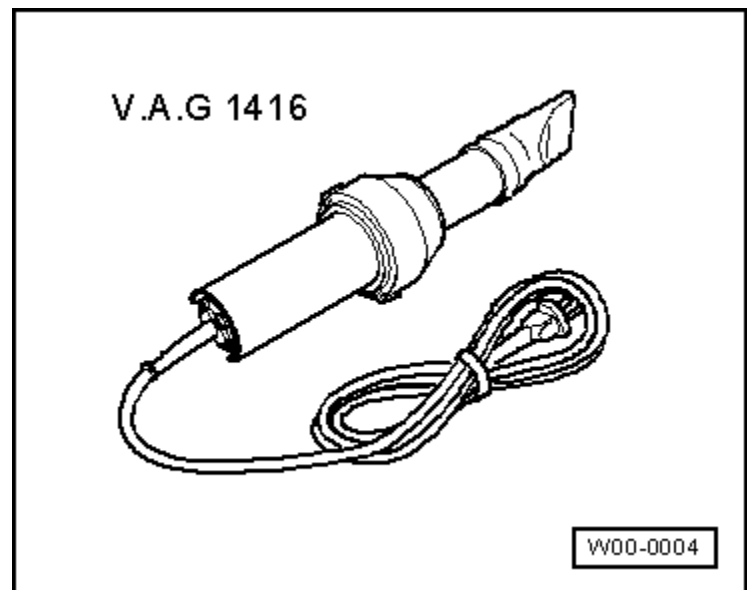
Removing and installing trim cover at wing panel - version 2

Special tools and workshop equipment required

- ◆ Roller -3356-

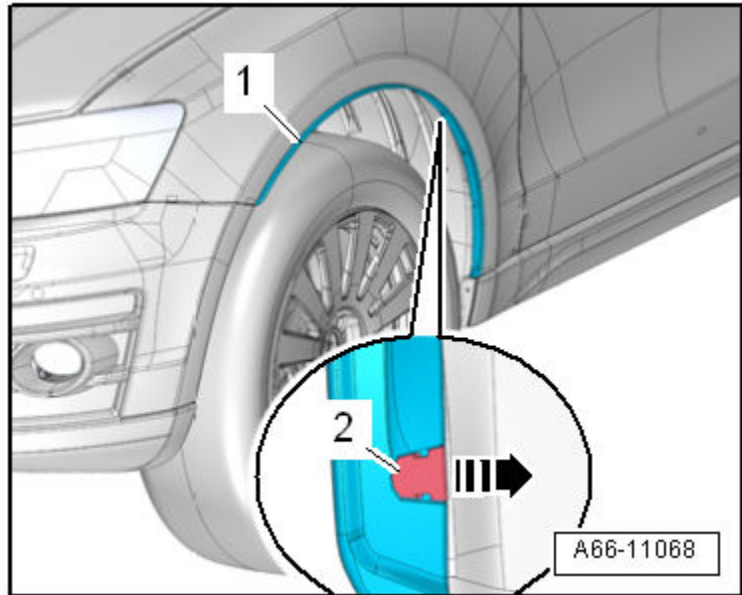


- ◆ Hot air blower -V.A.G 1416-
- ◆ Cleaning solution -D 009 401 04-



Removing

- Detach clips -2- in direction of -arrow-.
- Heat trim cover -1- with a hot air blower and pull off.



Installing

Install in reverse order of removal; note the following:

- Wing panel must be free of dust and grease in bonding area.
- Heat bonding surface to approx. 40° C using hot air blower.
- Peel protective film -3- off adhesive strip.
- Apply trim cover -2- to front of wing panel so that locating element -4- is positioned behind wing panel as shown in illustration.
- Press trim cover on evenly along entire surface using roller -3356-.
- Secure trim cover with retaining clips -1-.

