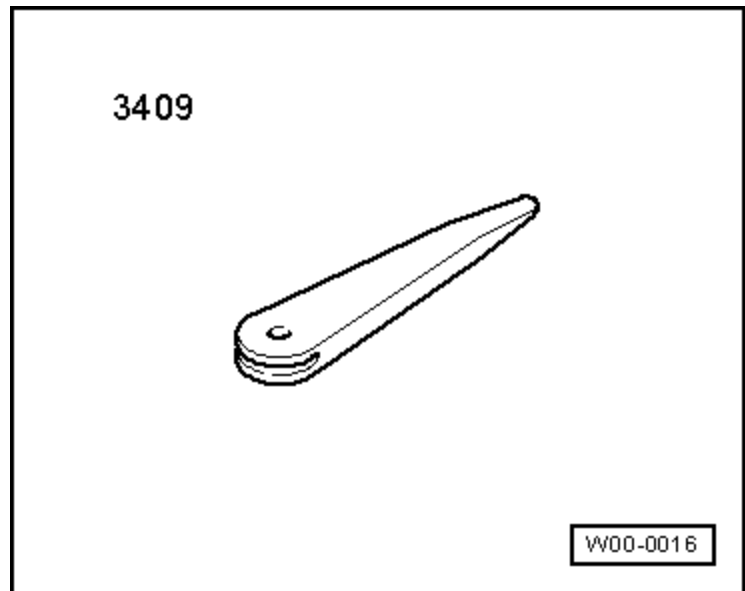


Removing and installing trim for centre armrest

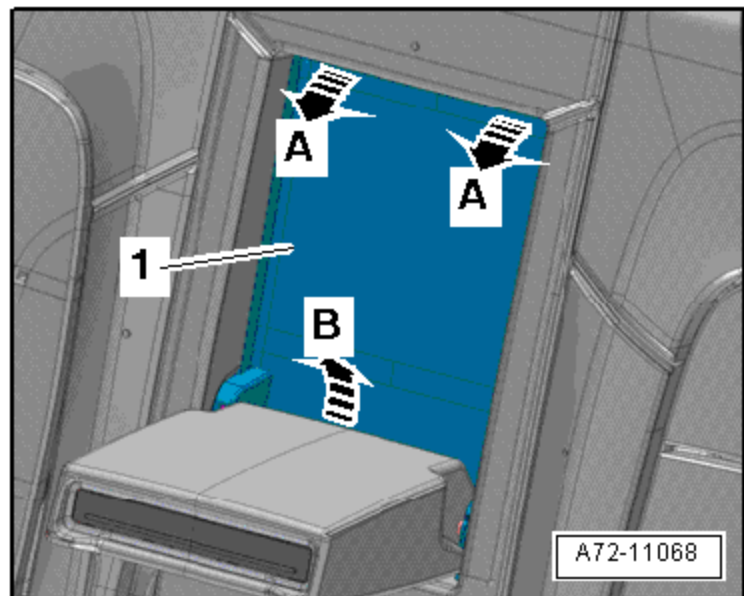
Special tools and workshop equipment required

- ◆ Removal wedge -3409-



Removing

- Fold open centre armrest (rear).
- Starting at the top, use removal wedge - 3409- to prise out trim -1- for centre armrest (rear) -arrows A-.
- Pull out trim for centre armrest (rear) as far as possible at top.
- Take hold of side of trim for centre armrest (rear) and lift it off in direction of - arrow B-.
- Take out trim for centre armrest (rear).



Installing

Install in reverse order of removal.