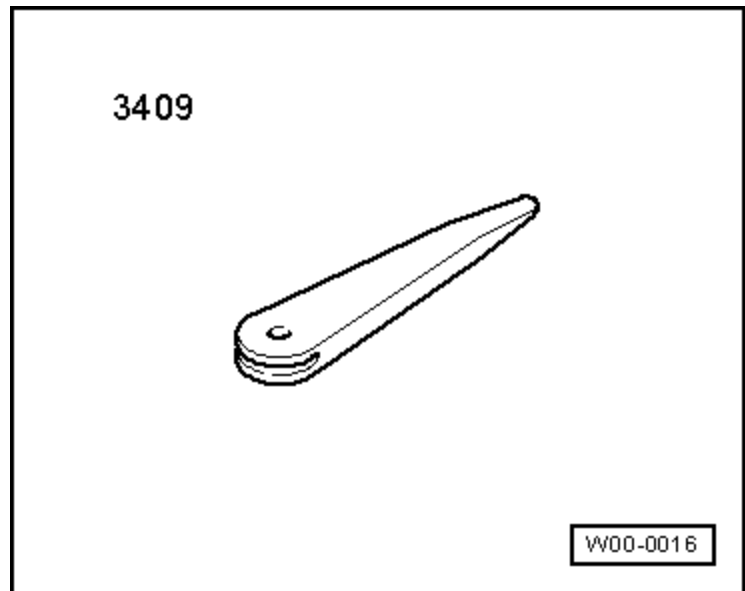


Removing and installing trim for cup holder

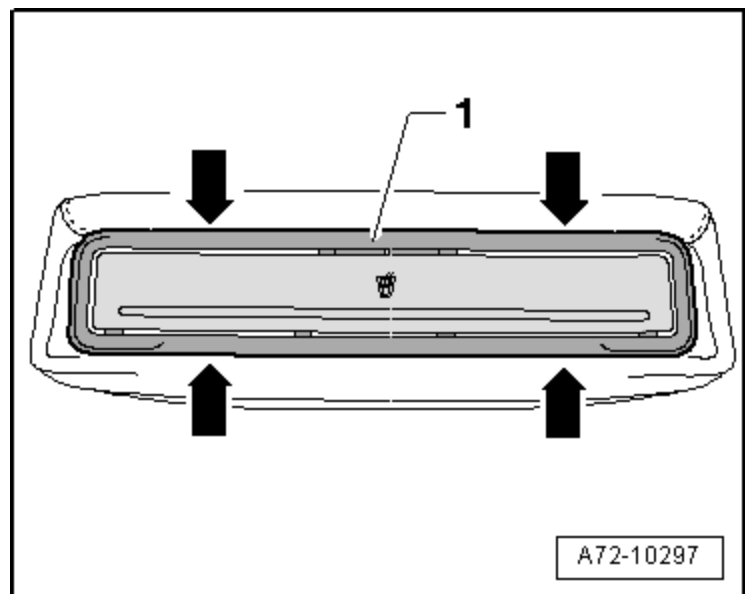
Special tools and workshop equipment required

- ◆ Removal wedge -3409-



Removing

- Fold open centre armrest (rear).
- Carefully prise off trim -1- with removal wedge -3409--arrows-.
- Detach trim from centre armrest (rear).



Installing

- Guide in trim -1- must face upwards -arrow-
- Insert trim at centre armrest and press it on until it engages audibly.

