

Left/Right Daytime Running Lamp Bulb -L174/-L175-, Removing and Installing, Halogen Headlamps through MY 2012



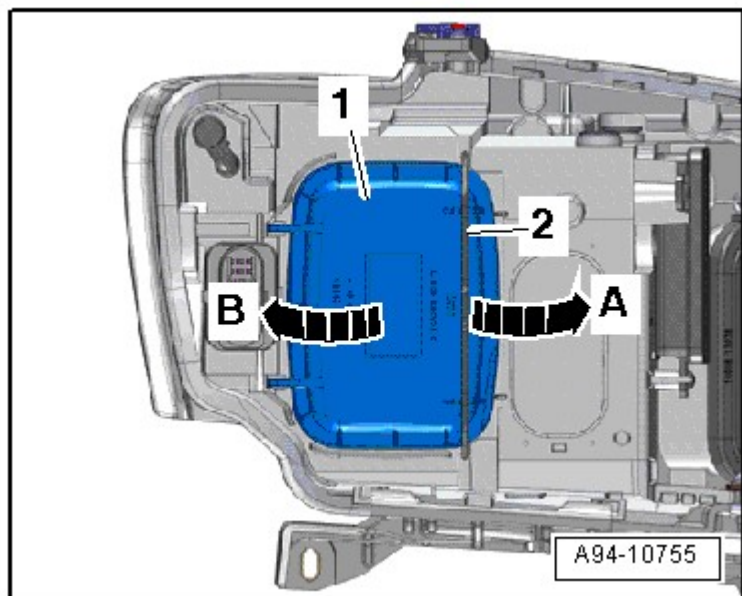
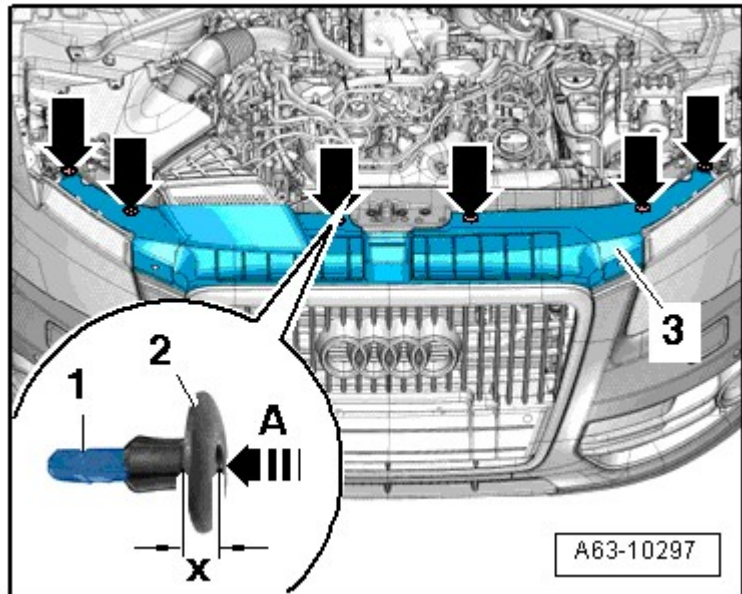
WARNING

Danger of unintended engine ignition

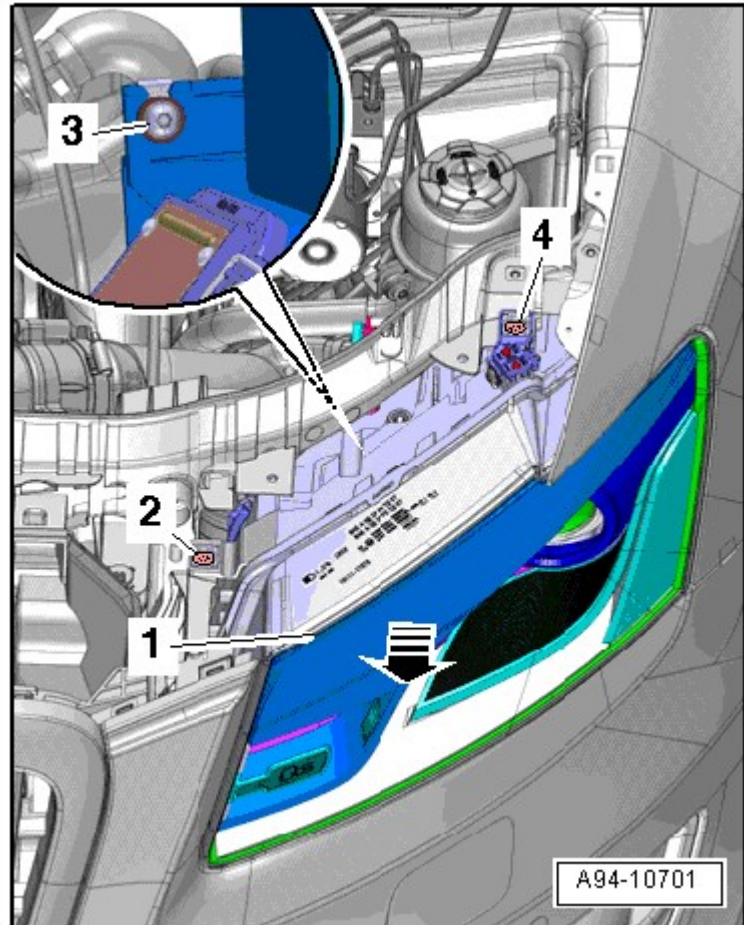
Turn off the ignition and remove the ignition key from the vehicle interior for all work performed on the high voltage vehicle.

Removing

- Turn off the ignition and remove the key.
- Turn the headlamp switch to "0".
- To remove the expanding clips -arrows-, carefully push the pin -1- to dimension -x- until it audibly engages into the expanding clip -arrow A-.
- Dimension -x- = 5 mm.
- Remove the unlocked expanding clip -2- and the pin.
- Lift the lock carrier cover -3- and engage it on the radiator grille.
- On the right: remove the air filter housing, refer to → [Rep. Gr.23; Air Filter; Air Filter Housing, Removing and Installing](#) or → [Rep. Gr.24; Air Filter; Air Filter Housing, Removing and Installing](#).
- Open the clip -2--arrow A-.
- Move the housing cover -1- to the side -arrow B- and remove it.



- Remove bolts -2- and -4-.
- Loosen the bolt -3- three turns.
- Push the headlamp housing -1- forward all the way in direction of -arrow-.



- Turn the bulb wrench -1- counterclockwise -arrow- and remove it from the housing.
- Release the spring -4- and disconnect the bulb connector -2-.



Note

Do not remove the wrench -5- from the connector -3-.

Installing

- Tightening specification, refer to → [Chapter „Overview - Headlamp, Halogen Headlamps, through MY 2012“](#).

Install in reverse order of removal. Note the following:

- Insert the new bulb into the headlamp without touching the bulb with bare hands.
- Close the housing cover and secure with the clamp.

- On the right: install the air filter housing, refer to → Rep. Gr.23; Air Filter; Air Filter Housing, Removing and Installing or → Rep. Gr.24; Air Filter; Air Filter Housing, Removing and Installing.

