

Left/Right Daytime Running Lamp Bulb -L174-/ L175-, Removing and Installing, Halogen Headlamps from MY 2013



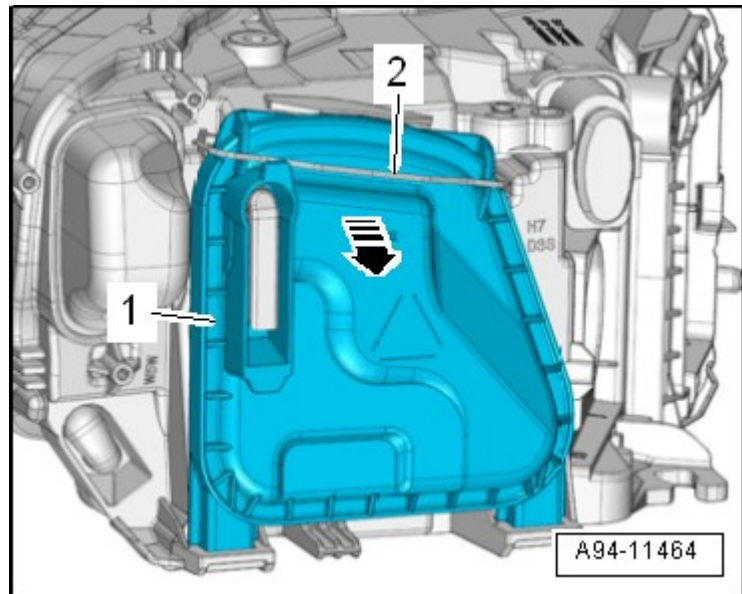
WARNING

Danger of unintended engine ignition

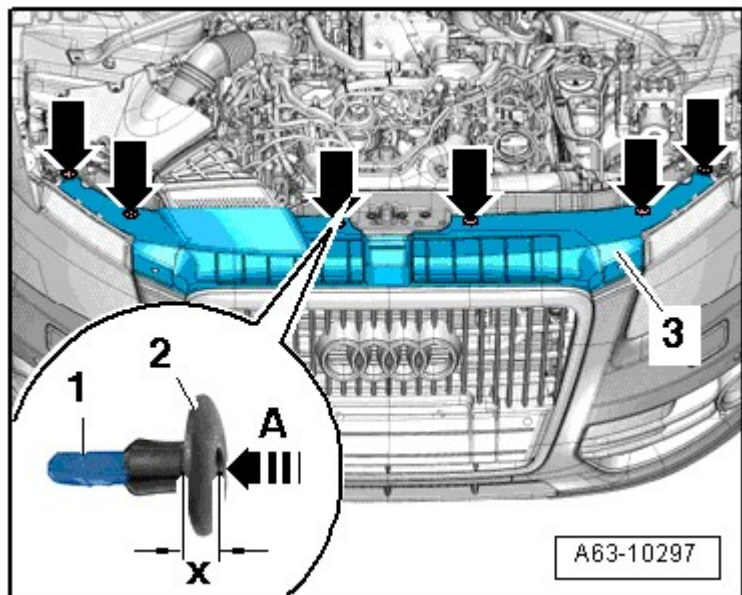
Turn off the ignition and remove the ignition key from the vehicle interior for all work performed on the high voltage vehicle.

Removing

- Turn off the ignition and remove the key.
- Turn the headlamp switch to "0".
- Open the retainer -2-.
- Pivot the housing cover -1- to the side - arrow-.

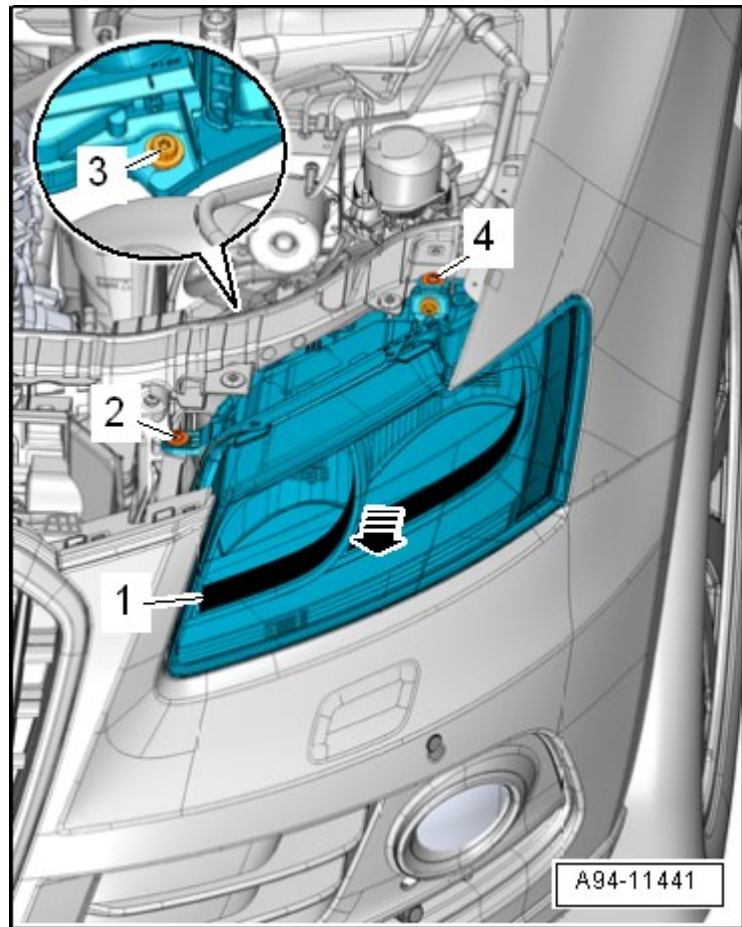


- To remove the expanding clips -arrows-, carefully push the pin -1- to dimension -x- until it audibly engages into the expanding clip -arrow A-.
- Dimension -x- = 5 mm.
- Remove the unlocked expanding clip -2- and the pin.
- Lift the lock carrier cover -3- and engage it on the radiator grille.
- On the right: remove the air filter housing, refer to → [Rep. Gr.23; Air Filter; Air Filter Housing, Removing and Installing](#) or → [Rep. Gr.24; Air Filter; Air Filter Housing, Removing and Installing](#).



- Remove bolts -2- and -4-.
- Loosen the bolt -3- three turns.

- Push the headlamp housing -1- forward all the way in direction of -arrow-.
- Remove the housing cover.



- Turn the socket -1- counterclockwise -arrow- and remove it from the housing.
- Press down on the release -2- and remove the connector -3- from the bulb socket -4- with the bulb.

Installing

- Tightening specification, refer to → [Chapter „Overview - Headlamp, Halogen Headlamps, from MY 2013“](#).

Install in reverse order of removal. Note the following:

- Insert the new bulb into the headlamp without touching the bulb with bare hands.
- Close the housing cover and secure with the clamp.
- On the right: install the air filter housing, refer to → [Rep. Gr.23; Air Filter; Air Filter Housing, Removing and Installing](#) or → [Rep. Gr.24; Air Filter; Air Filter Housing, Removing and Installing](#).

