

## Audi > Q7 > 2007 - 2008

### Electrical Equipment

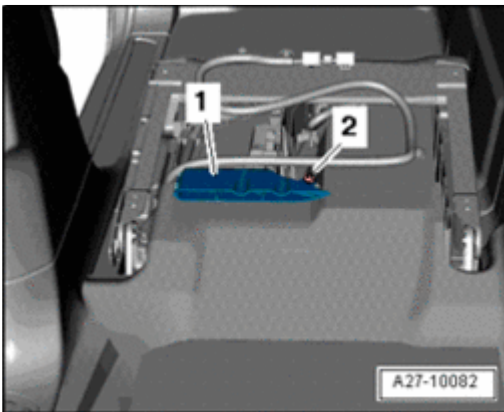
#### 27 - Removal and Installation

.

## Battery

### Special tools, testers and auxiliary items required

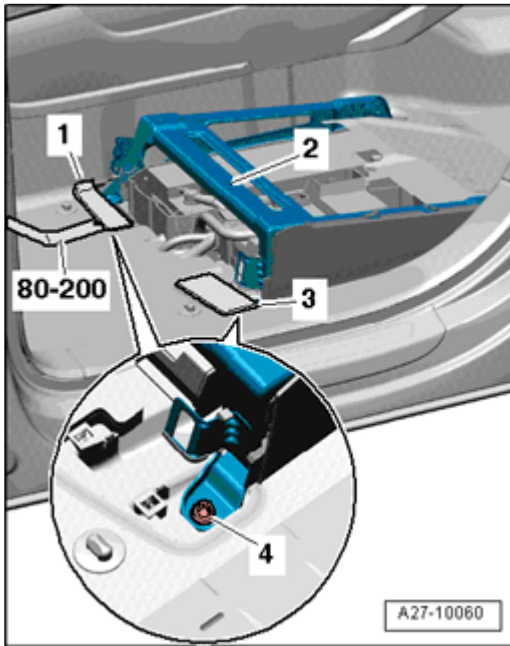
- ◆ Pry lever 80 - 200
- ◆ Vehicle Diagnostic, Testing and Information System VAS 5051B with diagnostic cable VAS 5051/5A



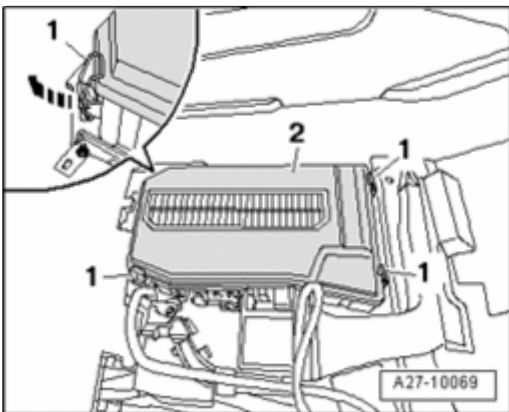
### Removing

- Remove drivers seat ⇒ Body Interior - Repair Group 72 .
- Connect the battery charger for battery assistance mode ⇒ [Battery, Preparing for Support Mode](#) .
- Remove screw - **2** - and pull floor vent - **1** - up.

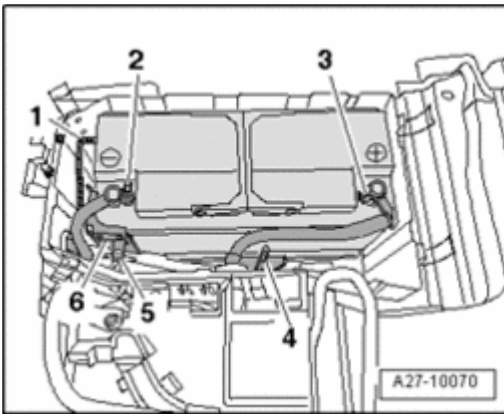
- Release retaining clamps on back side of cover - **1** - in - **direction of arrow A** - .
- Then remove cover in - **direction of arrow B** - from drivers seat console.



- Pry covers - **1** - and - **3** - out of floor covering with Pry Lever 80 - 200 .
- Remove both front screws - **4** - on drivers seat console and tip console - **2** - up.



- Remove cover - **2** - over battery by releasing retaining clamps - **1** - - **arrow** - .



- Disconnect ground (GND) wire - **2** - and B+ wire - **3** - from battery.
- Remove hose of central venting system - **1** - .
- Remove threaded pins - **4** - with battery bracket.
- Remove screw - **5** - and remove upper battery bracket - **6** - .
- Raise battery out of battery mount.

### **CAUTION!**

#### **Pollution risk.**

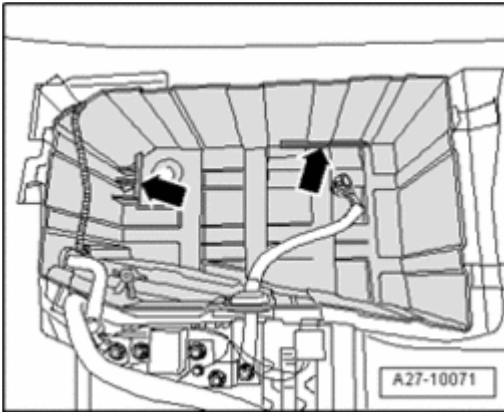
- \* **Battery and sulfuric acid disposal regulations must be followed when disposing of batteries ⇒ Electrical Equipment - General Information - Repair Group 27 .**

### **Installing**

Install in reverse order of removal, observing the following:

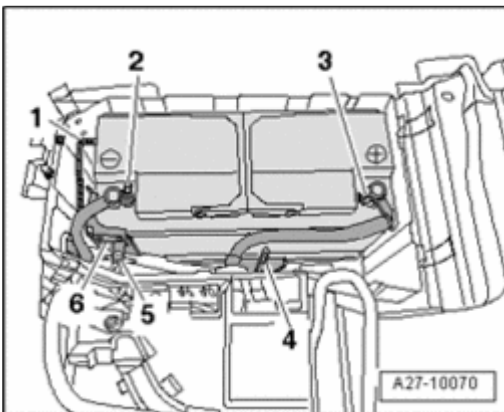
#### **Note:**

- \* *Use of battery indicated in parts list is recommended for optimum operation of Energy Management Control Module J644 .*
- \* *Batteries from the Audi Parts Program have a bottom strip-adapter for adapting to different grip channels. Whether and how bottom strip-adapter is used, refer to operating instructions for battery.*



- Insert battery in battery mount so that base strip engages in battery mount retaining strips - **arrows** - .

♦ It should no longer be possible to move the battery.



- Secure upper battery bracket - **6** - with screw - **5** - .

- Insert battery bracket and tighten threaded pins - **4** - .

With ignition switched off and electrical consumers switched off, connect battery in the following sequence:

- Connect positive cable terminal clamp - **3** - by hand to battery positive terminal "+" and tighten nut.
- Connect pole shoe - **2** - of ground cable by hand to battery negative terminal "-" and tighten nut.
- Connect central venting system hose - **1** - while observing notes ⇒ Electrical Equipment - General Information - Repair Group 27 .
- Check battery after installation for secure seating ⇒ Electrical Equipment - General Information - Repair Group 27 .
- Stop battery assistance mode at battery charger.

If the battery was not removed and installed in assistance mode, the following steps must be performed after reconnecting the battery:

- ◆ Activate automatic open/close function of electric window lifters. ⇒ Owners Manual
- ◆ Synchronize secondary and additional keys to ensure remote control operation. To do so, insert key into ignition lock, switch the ignition on and off again and remove key.
- ◆ Check DTC memories of all control modules and erase "Undervoltage" DTC if necessary .

**Note:**

- ◆ *After re-connecting power supply, ABS warning lamp may only go out after the vehicle has been driven a few yards.*

If the battery was replaced, Energy Management Control Module J644 must be coded anew .

– Install console with drivers seat ⇒ Body Interior - Repair Group 68 .

**Tightening torques**

<b>Component</b>	<b>Nm</b>
Threaded pins with battery bracket to battery mount	20
Upper battery bracket to battery mount	9
Battery terminal clamp to battery terminal	6
Floor vent to battery cover	2

Copyright © 2008 Audi of America, Inc. and Bentley Publishers. All rights reserved. Last processed: