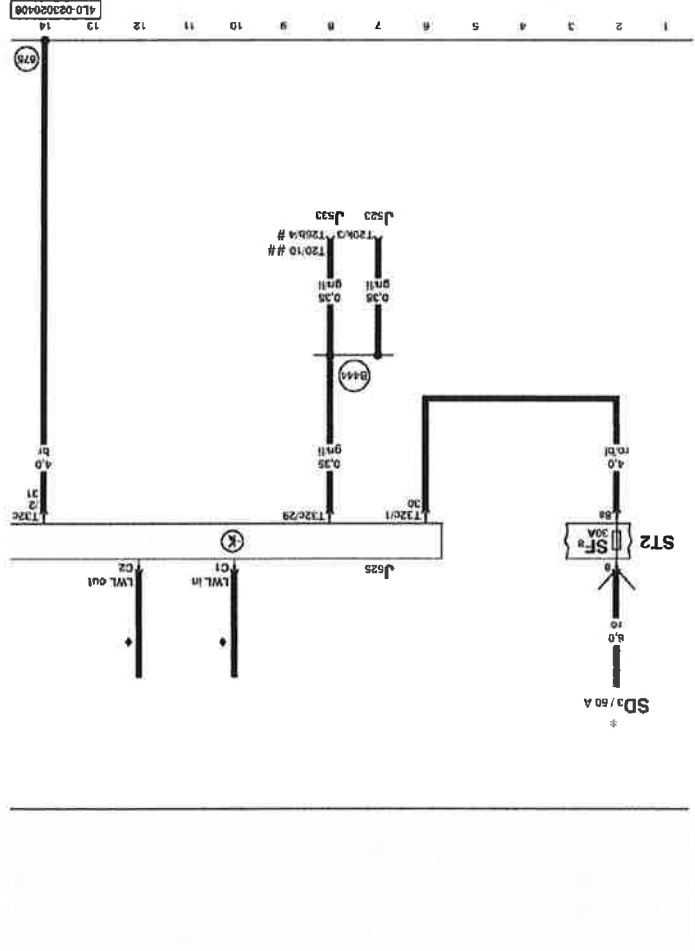


Information for
◆ Troubleshooting Procedures
⇒ Guided fault finding using VAS 5051/5052

Notes:
Information for
◆ Relay and fuse arrangement
◆ Connector arrangement
◆ Control units and relays
◆ Ground connections
⇒ Component Locations!

2007 m.y.

MMI with BOSE Sound System (8RY),



Audi Q7 Wiring Diagram

No. 23/2

Digital Sound System Control Module, Fuses

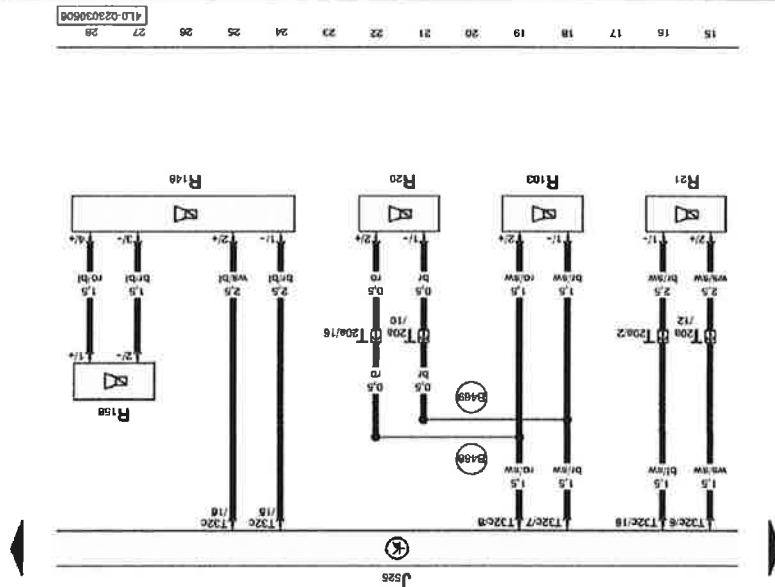
- J523 - Front Information Display Control Head Control Module
- J525 - Digital Sound System Control Module
- J533 - Data Bus On Board Diagnostic Interface
- SD3 - Fuse 3 (on fuse panel D)
- SF8 - Fuse 8 (on fuse panel F)
- T20 - 20-Pin Connector, black, on Data Bus On Board Diagnostic Interface
- T20K - 20-Pin Connector, red, Connector A, on Front Information Display Control Head Control Module
- T26b - 26-Pin Connector, black, on Data Bus On Board Diagnostic Interface
- T32c - 32-Pin Connector, black, on Digital Sound System Control Module
- B44d - OBD Connection 1 (in main wiring harness, compartment)
- B75 - Ground Connection 2 (in right luggage compartment)
- * - Relay and Fuse Panel below Driver's Seat
- # - through 05.2008
- ## - from 06.2008
- ◆ - LVVL - Fibre-Optic Cable, ⇒ Wiring Diagram
- ◆ - Infotainment - Data Bus (Most Ring)

- WS = white
- SW = black
- RO = red
- BR = brown
- GN = green
- BL = blue
- GR = grey
- LI = violet
- GE = yellow
- OR = orange

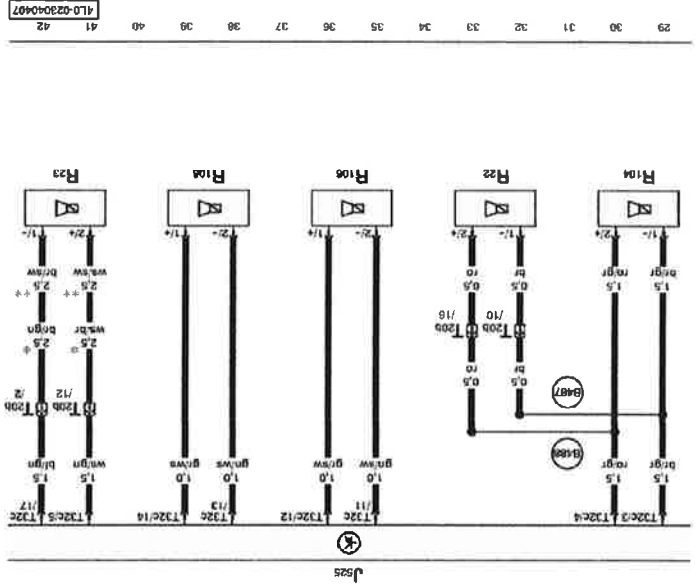
Digital Sound System Control Module, Left Front
 Treble Speaker, Left Front Bass Speaker, Left Front
 Midrange Speaker, Center Loudspeaker

- J525 - Digital Sound System Control Module
- R20 - Left Front Treble Speaker
- R21 - Left Front Bass Speaker
- R103 - Left Front Midrange Speaker
- R148 - Center Loudspeaker
- R158 - Center Mid/High Range Loudspeaker
- T20a - 20-Pin Connector, black, left front door
- T32c - 32-Pin Connector, black, on Digital Sound System Control Module

- (B469) - Connection 4 (in main wiring harness)
- (B469) - Connection 5 (in main wiring harness)



ws = white
 sw = black
 ro = red
 gn = green
 bl = blue
 gr = grey
 vl = violet
 ye = yellow
 or = orange



ws = white
 sw = black
 ro = red
 br = brown
 gn = green
 bl = blue
 gr = grey
 vl = violet
 ge = yellow
 or = orange



**Digital Sound System Control Module, Right Front
 Treble Speaker, Right Front Bass Speaker, Right Front
 Midrange Speaker**

- J525 - Digital Sound System Control Module
- R22 - Right Front Treble Speaker
- R23 - Right Front Bass Speaker
- R104 - Right Front Midrange Speaker
- R105 - Left Rear Midrange Speaker
- R108 - Right Rear Midrange Speaker
- T20b - 20-Pin Connector, black, right front door
- T32c - 32-Pin Connector, black, on Digital Sound System Control Module

- ⓐ497 - Connection 23 (in main wiring harness)
- ⓐ498 - Connection 24 (in main wiring harness)

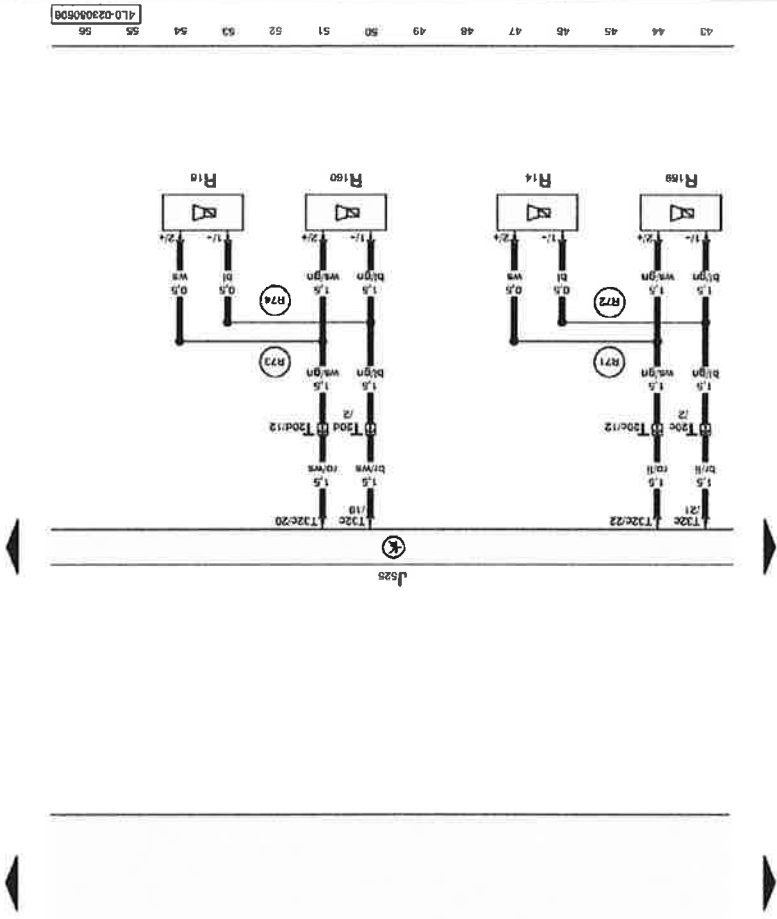
* - through 05.2007
 ** - from 06.2007

Wiring Diagram

Digital Sound System Control Module, Left and Right Rear Treble Speaker, Left and Right Rear Mid/Low Range Loudspeaker

- J525 - Digital Sound System Control Module
- R14 - Left Rear Treble Speaker
- R16 - Right Rear Treble Speaker
- R159 - Left Rear Mid/Low Range Loudspeaker
- R160 - Right Rear Mid/Low Range Loudspeaker
- T20c - 20-Pin Connector, black, left rear door
- T20d - 20-Pin Connector, black, right rear door
- T32c - 32-Pin Connector, black, on Digital Sound System Control Module
- (R71) - Speaker Plus Connection (in left rear door wiring harness)
- (R72) - Speaker Minus Connection (in left rear door wiring harness)
- (R73) - Speaker Plus Connection (in right rear door wiring harness)
- (R74) - Speaker Minus Connection (in right rear door wiring harness)

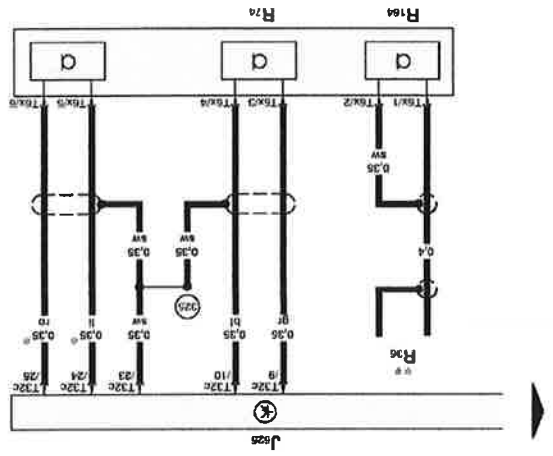
ws = white
 sw = black
 ro = red
 br = brown
 gn = green
 bl = blue
 gr = gray
 vl = violet
 ge = yellow
 or = orange



410-0230006081

Digital Sound System Control Module, Inside
Microphone, Microphone Unit (in front roof
module)

- J525 - Digital Sound System Control Module
- R36 - Telephone Transceiver
- R74 - Inside Microphone
- R164 - Microphone Unit (in front roof module)
- T6x - 6-Pin Connector, blue, on Microphone Unit (in front roof module)
- T32c - 32-Pin Connector, black, on Digital Sound System Control Module
- 325 - Ground Connection (Navigation shielding 2) (in communications wiring harness)
- * - Vehicles with Voice Control
- ** - Vehicles with Cellular Telephone Preparation



410-023005000

57 58 59 60 61 62 63 64 65 66 67 68 69 70

- ws = white
- sw = black
- ro = red
- br = brown
- gn = green
- bl = blue
- gr = grey
- ll = violet
- ge = yellow
- or = orange