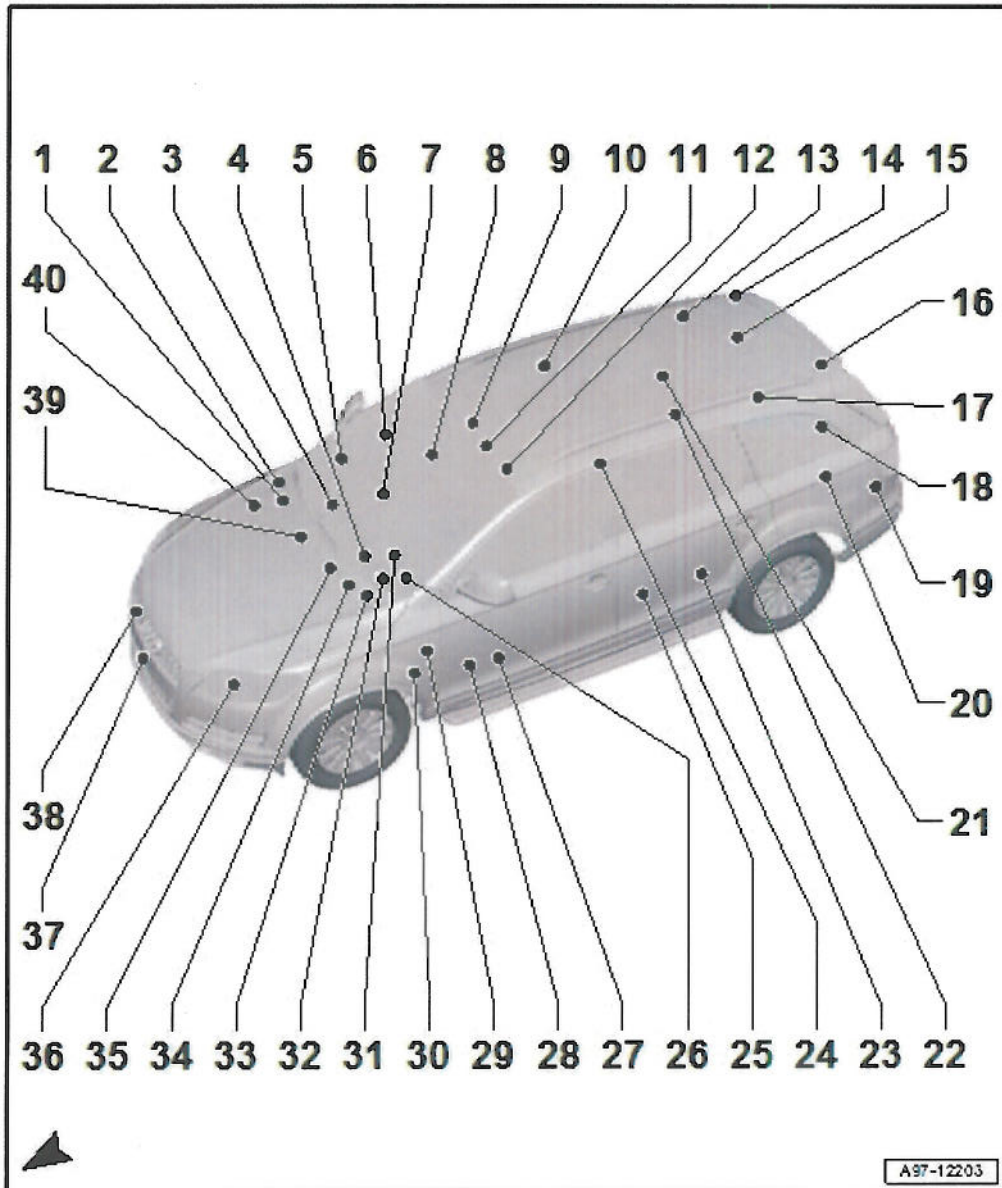


Control Modules

Overview of Control Modules



1 - Structure-Borne Sound Control Module -J869-

- Component Location and Connectors => [See: Accessories and Optional Equipment\Locations\Structure-Borne Sound Control Module -J869-](#)

2 - ABS Control Module -J104-

- Component Location and Connectors => [See: Brakes and Traction Control\Antilock Brakes / Traction Control Systems\Electronic Brake Control Module\Locations](#)

3 - Voltage Stabilizer -J532-

- Component Location and Connectors => [See: Power and Ground Distribution\Power Distribution Module\Locations\Voltage Stabilizer -J532-](#)
- 3 - Fresh Air Blower Control Module -J126-**
- Component Location and Connector => [See: Heating and Air Conditioning\Control Module HVAC\Locations\Fresh Air Blower Control Module -J126-](#)
- 4 - Access/Start Control Module -J518-**
- Component Location and Connectors => [See: Accessories and Optional Equipment\Keyless Entry Module\Locations](#)
- 5 - Front Passenger's Door Control Module -J387-**
- Component Location and Connectors => [See: Body and Frame\Doors, Hood and Trunk\Door Module\Locations\Front Pass Door Control Module -J387-](#)
- 6 - Vehicle Electrical System Control Module 2 -J520-**
- Component Location and Connectors => [See: Power and Ground Distribution\Power Distribution Module\Locations\Vehicle Electrical System Control Module 2 -J520-](#)
- 6 - Transmission Control Module (TCM) -J217- , transmission 0AT**
- Only models with automatic transmission 0AT
- Component Location and Connectors => [See: Transmission and Drivetrain\Locations](#)
- 6 - Telephone Transceiver -R36- , through May 2009**
- Component Location and Connectors => [through May 2009] [See: Accessories and Optional Equipment\Cellular Phone\Locations\Components\Telephone Transceiver -R36- , Through May2009](#)
- 7 - Passenger Memory Seat Control Module -J521-**
- Component Location and Connectors => [See: Relays and Modules\Relays and Modules - Steering and Suspension\Relays and Modules - Steering\Steering Column Control Module\Locations\Memory Seat/Steering Column Adjustment Control Module -J136- /Passenger Memory Seat Control Module -J521-](#)
- 8 - Directional Stabilization Assistance Control Module -J759-**
- Component Location and Connectors => [See: Accessories and Optional Equipment\Collision Avoidance Module\Locations\Directional Stabilization Assistance Control Module -J759-](#)
- 9 - Power Sunroof Control Module -J245-**
- Component:: -V1-
- Component Location and Connectors => [See: Body and Frame\Relays and Modules - Body and Frame\Sunroof / Moonroof Module\Locations\Power Sunroof Control Module -J245-](#)
- 10 - Right Rear Door Control Module -J389-**
- Component Location and Connectors => [See: Body and Frame\Doors, Hood and Trunk\Door Module\Locations\Right Rear Door Control Module -J389-](#)
- 11 - Front Interior Light**
- Component: -W16- , -W17- , -W19- , -E326- , -E457- , -W13- , -E458- , -E139- , -R164-
- Component Location and Connectors => [Front Interior Light] [See: Lighting and Horns\Locations](#)
- 12 - Airbag Control Module -J234-**
- Component Location and Connectors => [See: Relays and Modules\Relays and Modules - Restraints and Safety Systems\Air Bag Control Module\Locations](#)
- 13 - Rear Sliding Sunroof Control Module -J392-**
- Component:: -V146-
- Component Location and Connectors => [See: Body and Frame\Relays and Modules - Body and Frame\Sunroof / Moonroof Module\Locations\Rear Sliding Sunroof Control Module -J392-](#)
- 14 - Rear Lid Control Module -J605-**
- Component:: -V375-
- Component Location and Connectors => [See: Body and Frame\Doors, Hood and Trunk\Trunk / Liftgate Closer Module\Locations\Rear Lid Control Module -J605-](#)
- 15 - Roof shade control module -J394-**
- Component:: -V260-
- Component Location and Connectors => [See: Body and Frame\Roof and Associated Components\Sunroof / Moonroof\Sun Shade\Locations\Roof Shade Control Module -J394-](#)
- 16 - Rear Lid Control Module 2 -J756-**
- Component:: -V376-

- Component Location and Connectors => [See: Body and Frame\Doors, Hood and Trunk\Trunk / Liftgate Closer Module\Locations\Rear Lid Control Module 2 - J756-](#)
- 17 - Lane Change Assistance Control Module -J769-**
- Component Location and Connectors => [See: Accessories and Optional Equipment\Collision Avoidance Module\Locations\Lane Change Assistance Control Module -J769- /Lane Change Assistance Control Module 2 -J770-](#)
- 18 - Door Closing Assist Control Module -J657-**
- Component: -V120- , -F332- , -F333-
- Component Location and Connectors => [See: Body and Frame\Roof and Associated Components\Convertible Top\Locations](#)
- 19 - Lane Change Assistance Control Module 2 -J770-**
- Component Location and Connectors => [See: Accessories and Optional Equipment\Collision Avoidance Module\Locations\Lane Change Assistance Control Module -J769- /Lane Change Assistance Control Module 2 -J770-](#)
- 20 - Rear Fresh Air Blower Control Module -J391-**
- Component Location and Connectors => [See: Heating and Air Conditioning\Control Module HVAC\Locations\Rear Fresh Air Blower Control Module -J391-](#)
- 21 - Radio -R- , MMI**
- Component Location and Connectors => [MMI] [See: Accessories and Optional Equipment\Radio, Stereo, and Compact Disc\Locations\Radio -R- , MMI](#)
- 21 - Parking Aid Control Module -J446-**
- Component Location and Connectors => [See: Accessories and Optional Equipment\Parking Assist Control Module\Locations](#)
- 21 - Keyless Access Authorization Antenna Reader -J723-**
- Component Location and Connectors => [See: Accessories and Optional Equipment\Keyless Entry\Locations\Keyless Access Authorization Antenna Reader - J723-](#)
- 21 - Auxiliary Heater RF Receiver -R64-**
- 21 - TV Tuner -R78-**
- Component Location and Connectors => [See: Accessories and Optional Equipment\Television / Monitor\Locations](#)
- 21 - Amplifier for Telephone -R86- , not for USA**
- Component Location and Connectors => [See: Accessories and Optional Equipment\Cellular Phone\Locations\Components\Amplifier For Phone -R86-](#)
- 21 - Satellite Radio -R146- only USA, through May 2009**
- Component Location and Connectors => [through May 2009] [See: Accessories and Optional Equipment\Radio, Stereo, and Compact Disc\Locations\Satellite Radio -R146- , Through May 2009](#)
- 21 - Digital Radio -R147- , through May 2009**
- Component Location and Connectors => [through May 2009] [See: Accessories and Optional Equipment\Radio, Stereo, and Compact Disc\Locations\Digital Radio -R147- , Through May 2009](#)
- 22 - Rear View Camera System Control Module -J772-**
- Component Location and Connectors => [See: Accessories and Optional Equipment\Rear Vision Camera\Locations](#)
- 22 - Comfort System Central Control Module 2 -J773-**
- Component Location and Connectors => [See: Body and Frame\Body Control Systems\Body Control Module\Locations\Comfort System Central Control Module 2 -J773-](#)
- 22 - Comfort System Central Control Module -J393-**
- Component Location and Connectors => [See: Body and Frame\Body Control Systems\Body Control Module\Locations\Comfort System Central Control Module -J393-](#)
- 22 - Level Control System Control Module -J197-**
- Component Location and Connectors => [See: Relays and Modules\Relays and Modules - Steering and Suspension\Relays and Modules - Suspension\Suspension Control Module\Locations](#)
- 22 - Navigation System Control Module with CD Drive -J401- , through May 2009**
- Component Location and Connectors => [through May 2009] [See: Accessories and Optional Equipment\Navigation Module\Locations\Navigation System Control Module With CD Drive -J401- , Through May 2009](#)
- 22 - Control Module for Information Electronics 1 -J794- , from June 2009**
- Component Location and Connectors => [from June 2009] [See: Control Module for Information Electronics 1 -J794- , from June 2009](#)
- 22 - Towing Recognition Control Module -J345-**

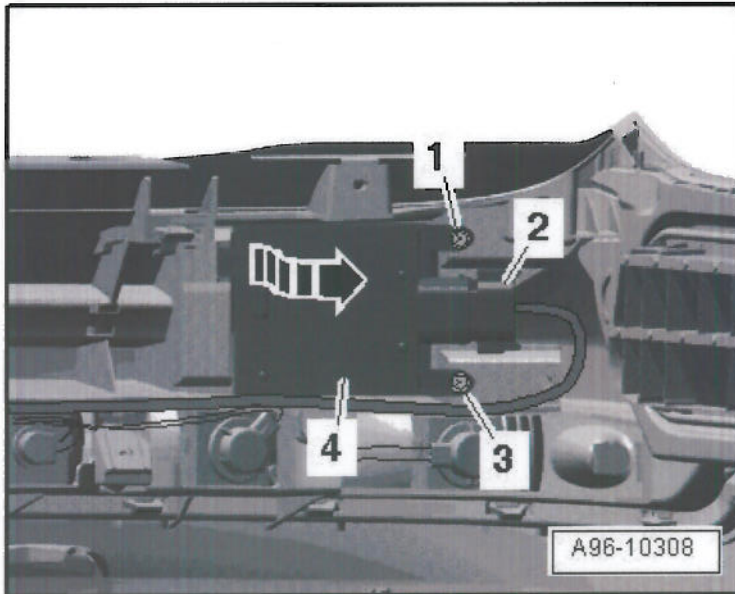
- Component Location and Connectors => [See: Accessories and Optional Equipment\Alarm Module\Locations](#)
- 23 - Fuel Pump (FP) Control Module -J538-**
- Component Location and Connectors => [See: Powertrain Management\Fuel Delivery and Air Induction\Fuel Pump Control Unit\Locations](#)
- 24 - Rear A/C Control Head (Climatronic) -E265-**
- Component: -E128- , -E129-
- Component Location and Connectors => [See: Heating and Air Conditioning\Control Module HVAC\Locations\Rear A/C Control Head \(Climatronic\) -E265-](#)
- 25 - Left Rear Door Control Module -J388-**
- Component Location and Connectors => [See: Body and Frame\Doors, Hood and Trunk\Door Module\Locations\Left Rear Door Control Module -J388-](#)
- 26 - Vehicle Electrical System Control Module -J519-**
- Component Location and Connectors => [See: Power and Ground Distribution\Power Distribution Module\Locations\Vehicle Electrical System Control Module -J519-](#)
- 27 - Energy Management Control Module -J644- , through May 2008**
- Component Location and Connectors => [through May 2008] [See: Power and Ground Distribution\Power Distribution Module\Locations\Energy Management Control Module -J644- , through May 2008](#)
- 27 - Battery Monitoring Control Module -J367- , from June 2008**
- Component Location => [from June 2008] [See: Relays and Modules\Relays and Modules - Starting and Charging\Battery Control Module\Locations\Battery Monitoring Control Module -J367- , from June 2008](#)
- 27 - Memory Seat/Steering Column Adjustment Control Module -J136-**
- Component Location and Connectors => [See: Relays and Modules\Relays and Modules - Steering and Suspension\Relays and Modules - Steering\Steering Column Control Module\Locations\Memory Seat/Steering Column Adjustment Control Module -J136- /Passenger Memory Seat Control Module -J521-](#)
- 28 - Driver's Door Control Module -J386-**
- Component Location and Connectors => [See: Body and Frame\Doors, Hood and Trunk\Door Module\Locations\Driver's Door Control Module -J386-](#)
- 29 - Headlamp Range Control Module -J431-**
- Component Location and Connectors => [See: Lighting and Horns\Headlamp Control Module\Locations\Range Control Module -J431-](#)
- 29 - Data Bus On Board Diagnostic Interface -J533-**
- Component Location and Connectors => [See: Powertrain Management\Computers and Control Systems\Information Bus\Locations](#)
- 29 - Tire Pressure Monitoring Control Module -J502-**
- Component Location and Connectors => [See: Instrument Panel, Gauges and Warning Indicators\Tire Pressure Module\Locations](#)
- 30 - Auxiliary Heater Control Module -J364-**
- Component: -S24- , -G18- , -Q8- , -V6-
- 31 - 16-Pin Connector -T16- , diagnostic connection**
- Component Location and Connectors => [Assignment diagnostic connection] [See: Body and Frame\Body Control Systems\Locations](#)
- 31 - Steering Column Electronic Systems Control Module -J527-**
- Component: -E2- , -E5- , -F350- , -H- , -E22- , -G85- , -E45- , -E167- , -E517- , -J453- , -F138- , -Z36- , -N95- , -N250-
- Component Location and Connectors => [See: Relays and Modules\Relays and Modules - Steering and Suspension\Relays and Modules - Steering\Steering Column Control Module\Locations\Steering Column Electronic Systems Control Module -J527-](#)
- 32 - Instrument Cluster Control Module -J285-**
- Component: -Y24- , -K32- , -K118- , -K3- , -G106- , -K28- -Y8- , -K139- , -G1-
- Component Location and Connectors => [See: Instrument Panel, Gauges and Warning Indicators\Instrument Panel Control Module\Locations](#)
- 33 - Access/Start Authorization Switch -E415-**
- Component Location and Connectors => [See: Powertrain Management\Ignition System\Ignition Switch\Locations](#)
- 34 - Wiper Motor Control Module -J400-**
- Component: -V-
- Component Location and Connectors => [See: Relays and Modules\Relays and Modules - Wiper and Washer Systems\Wiper Control Module\Locations](#)
- 35 - Climatronic Control Module -J255-**

- Component: -V42- , -G56- , -E94- , -E95-
 - Component Location and Pin Connectors A/C Comfort => [A/C Comfort] [See: Heating and Air Conditioning\Control Module HVAC\Locations\Climatronic Control Module -J255- , A/C Comfort](#)
 - Component Location and Pin Connectors A/C Basic => [A/C Basic] [See: Heating and Air Conditioning\Control Module HVAC\Locations\Climatronic Control Module -J255- , A/C Basic](#)
- 36 - Left High Intensity Gas Discharge (HID) Lamp Ballast -J426- /Right High Intensity Gas Discharge (HID) Lamp Ballast -J427-**
- Component: -J667- , -J668- , -J892- , -J893- , -J860- , -J861- , -L176- , -L177- , -L148- , -L149- , -V48- , -V49- , -V448- , -V449- , -G474- , -G475- , -L13- , -L14-
 - Component Location and Connectors => [See: Lighting and Horns\Headlamp Control Module\Locations\Left High Intensity Gas Discharge \(HID\) Lamp Ballast -J426- /Right High Intensity Gas Discharge \(HID\) Lamp Ballast -J427-](#)
- 37 - Coolant Fan Control (FC) Control Module -J293- /Coolant Fan Control (FC) Control Module 2 -J671-**
- Component: -V7- , -V177-
 - Component Location and Connectors => [See: Engine, Cooling and Exhaust\Cooling System\Radiator Cooling Fan Control Module\Locations](#)
- 38 - Distance Regulation Control Module -J428-**
- Component Location and Connectors => [See: Accessories and Optional Equipment\Collision Avoidance Module\Locations\Distance Regulation Control Module -J428-](#)
- 39 - Structure-Borne Sound Actuator -R214-**
- Component Location and Connectors => [See: Accessories and Optional Equipment\Locations\Structure-Borne Sound Actuator -R214-](#)
- 40 - Engine Control Module (ECM) -J623-**
- Component Location and Connectors => [See: Powertrain Management\Computers and Control Systems\Engine Control Module\Locations](#)

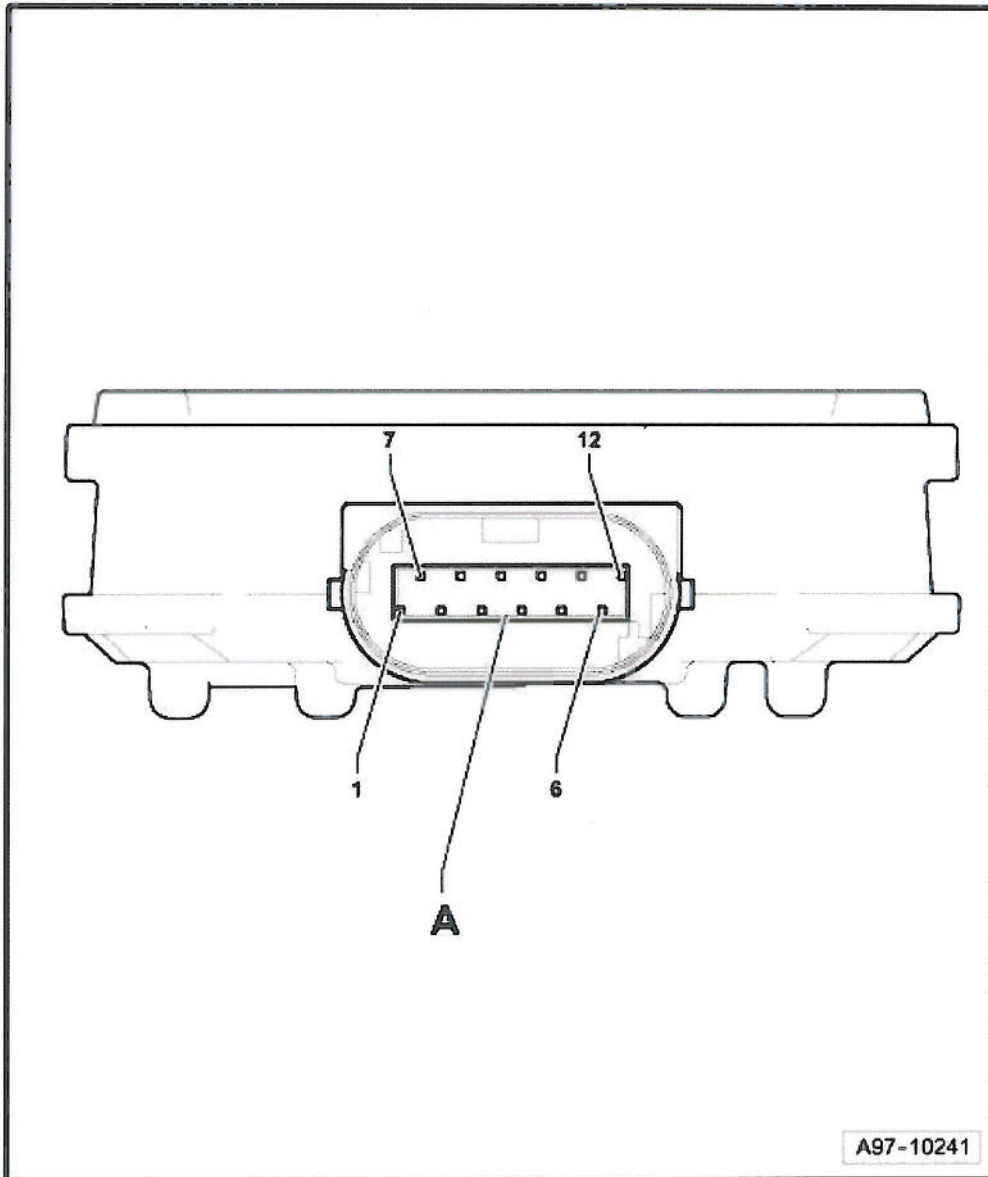
Control Modules

Lane Change Assistance Control Module -J769- /Lane Change Assistance Control Module 2 -J770-

Component Location
In rear bumper cover -4-



Connector



A97-10241

A - 12-Pin Connector -T12l- , black

A - 12-Pin Connector -T12m- , black

Back to overview => [Overview of Control Modules] [See: Locations\Overview Of Control Modules.](#)