

Account

Vehicle

Help

Search

Contact

AutoZone Community

Exit

Your Vehicle: 2010 Audi Q7 Quattro (4LB) V6-3.0L DSL Turbo (CATA)



SAVE \$25
instantly on 4 tires!

tirebuyer.com

SAVE NOW >

SAVE \$25
instantly on 4 tires!

tirebuyer.com

SAVE NOW >

[Vehicle](#) » [Accessories and Optional Equipment](#) » [Keyless Entry](#) » [Diagrams](#) » [Electrical Diagrams](#) » [Diagram 18/6 \(Tracks 57-70\)](#)

Diagram 18/6 (Tracks 57-70)

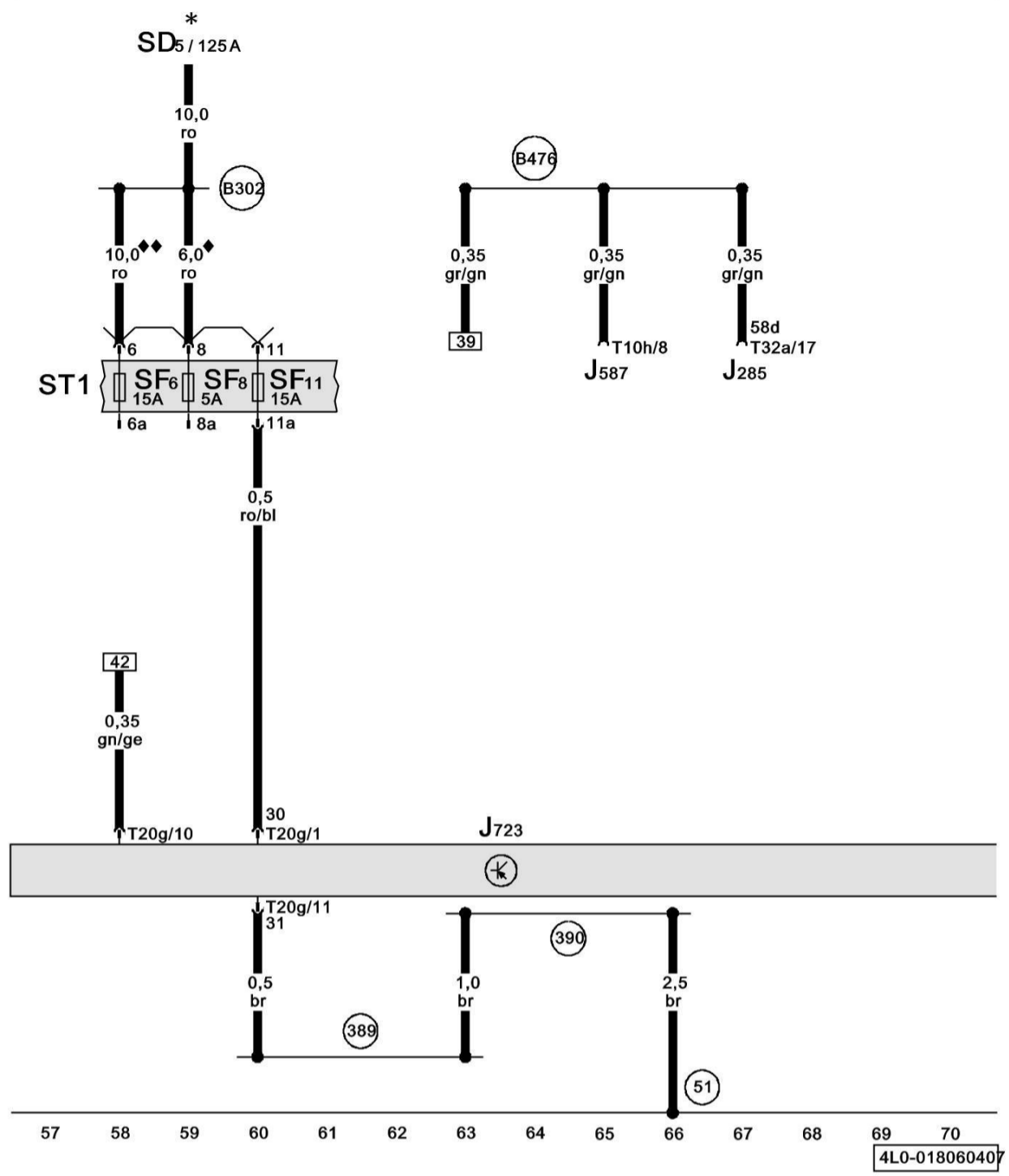
IMPORTANT NOTE:

This manufacturer uses "Track" style wiring diagrams.

For information on how to use these diagrams effectively, please refer to Diagram Information and Instructions. [See: Diagrams\Diagram Information and Instructions](#)

Keyless Access Authorization Antenna Reader, Fuses





Zoom Sized for Print

ws = white
 sw = black
 ro = red
 br = brown
 gn = green
 bl = blue
 gr = grey
 li = lilac
 ge = yellow
 or = orange
 rs = pink

- J285** - Instrument Cluster Control Module [See: Locations\Overview Of Control Modules](#)
- J587** - Selector Lever Sensor Control Module [See: Transmission and Drivetrain\Automatic Transmission/Transaxle\Shifter A/T\Locations](#)
- J723** - Keyless Access Authorization Antenna Reader [See: Locations\Overview Of Control Modules](#)
- SD5** - Fuse 5 (on fuse panel D)
- SF6** - Fuse 6 (on fuse panel F)
- SF8** - Fuse 8 (on fuse panel F)
- SF11** - Fuse 11 (on fuse panel F)

- SF11 - Fuse 11 (on fuse panel F)
- T10h** - 10-Pin Connector, black, on selector lever sensor control module
- T20g** - 20-Pin Connector, red, on keyless access authorization antenna reader
- T32a** - 32-Pin Connector, grey, on instrument cluster control module
- (51)** - Ground Connection (in luggage compartment, right) [See: Power and Ground Distribution\Grounding Point\Locations](#)
- (389)** - Ground Connection 24 (in main [wiring harness](#))
- (390)** - Ground Connection 25 (in main [wiring harness](#))
- (B302)** - Plus Connection 6 (30) (in main [wiring harness](#))
- (B476)** - Connection 12 (in main [wiring harness](#))
- * - Relay and fuse carrier below driver's seat
- α - Through May 2007
- αα - from June 2007

Previous [See: Diagram 18/5 \(Tracks 43-56\)](#)

Next [See: Diagram 18/7 \(Tracks 71-84\)](#)

[Account](#) | [Vehicle](#) | [Help](#) | [Contact](#) | [AutoZone Community](#) | [Exit](#)

© 2014 ALLDATA, LLC. All Rights Reserved. [Trademarks](#) | [Privacy Policy](#) | [Terms and Conditions](#)