

Account

Vehicle

Help

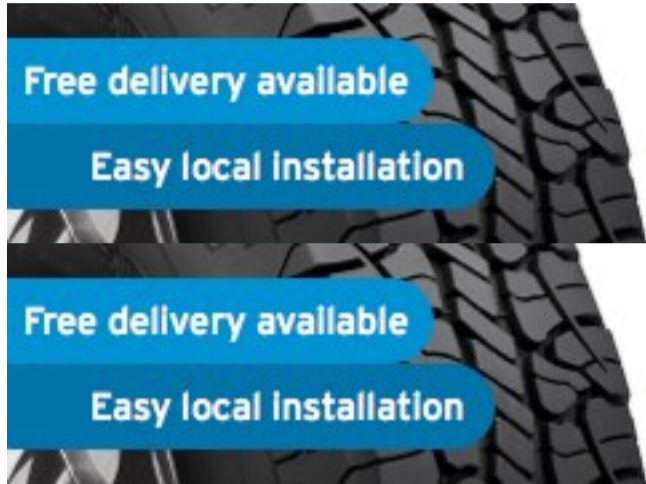
Search

Contact

AutoZone Community

Exit

Your Vehicle: 2010 Audi Q7 Quattro (4LB) V6-3.0L DSL Turbo (CATA)



SAVE \$25  
instantly on 4 tires!

tirebuyer.com

SAVE NOW >

SAVE \$25  
instantly on 4 tires!

tirebuyer.com

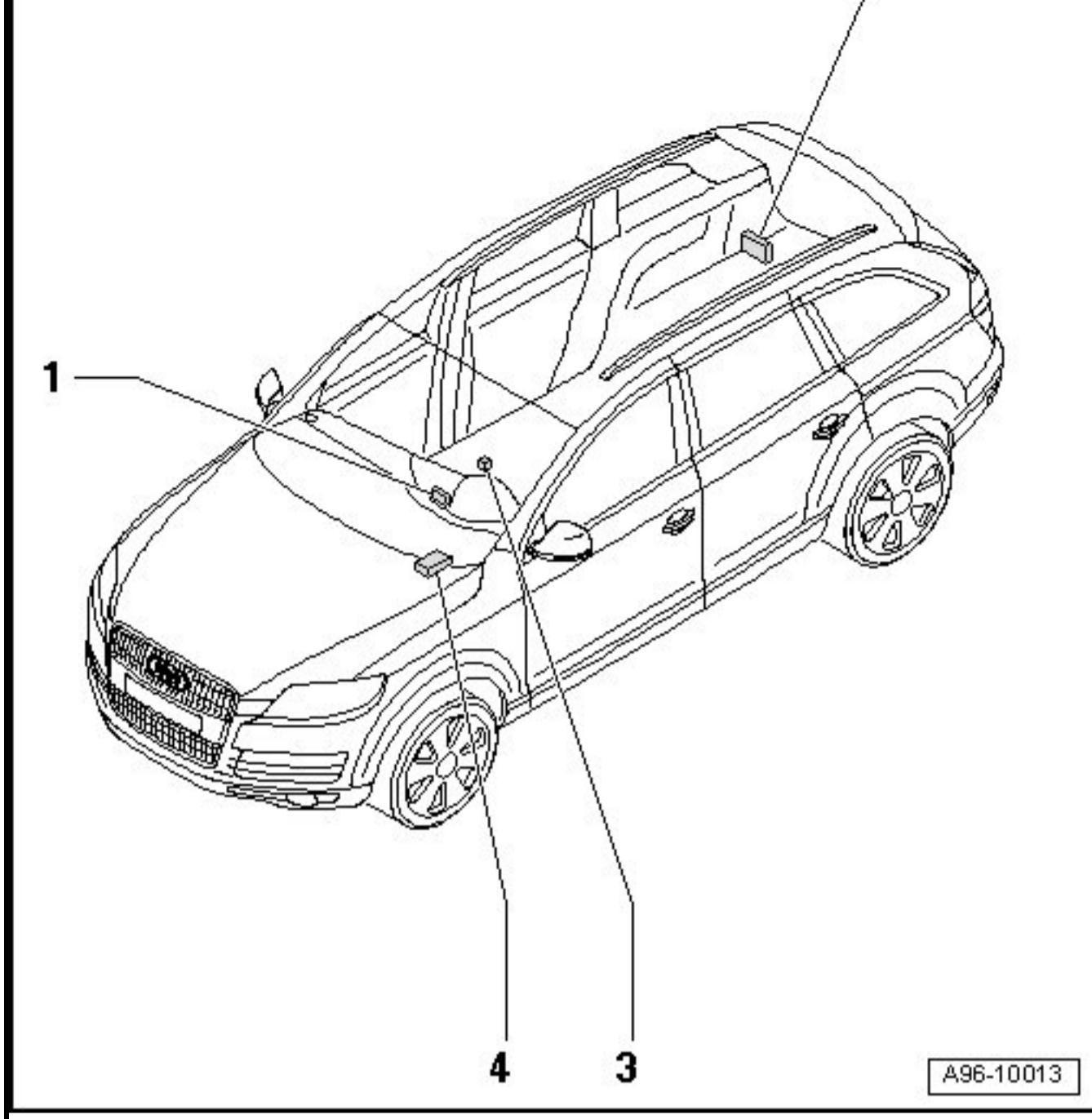
SAVE NOW >

[Vehicle](#) » [Accessories and Optional Equipment](#) » [Keyless Entry](#) » [Locations](#) » [Access/Start Authorization System Component Overview](#)

Access/Start Authorization System Component Overview

Access/Start Authorization System

Access/Start Authorization System Component Overview



Zoom

Sized for Print

**1 - Access/Start Authorization Switch -E415-**

- ⌘ Located in the instrument panel driver side

**2 - Keyless Access Authorization Antenna Reader -J723-**

- ⌘ Located behind right luggage compartment side trim

**3 - Access/Start Authorization Button -E408-**

- ⌘ Located in the installation frame for Multimedia Control Head -E380-

**4 - Access/Start Control Module -J518-**

- ⌘ With integrated Steering Column Lock Actuator -N360-

[Account](#) | [Vehicle](#) | [Help](#) | [Contact](#) | [AutoZone Community](#) | [Exit](#)

© 2014 ALLDATA, LLC. All Rights Reserved. [Trademarks](#) | [Privacy Policy](#) | [Terms and Conditions](#)