

Account

Vehicle

Help

Search

Contact

AutoZone Community

Exit

Your Vehicle: 2010 Audi Q7 Quattro (4LB) V6-3.0L DSL Turbo (CATA)



SAVE \$25  
instantly on 4 tires!

tirebuyer.com

SAVE NOW >

SAVE \$25  
instantly on 4 tires!

tirebuyer.com

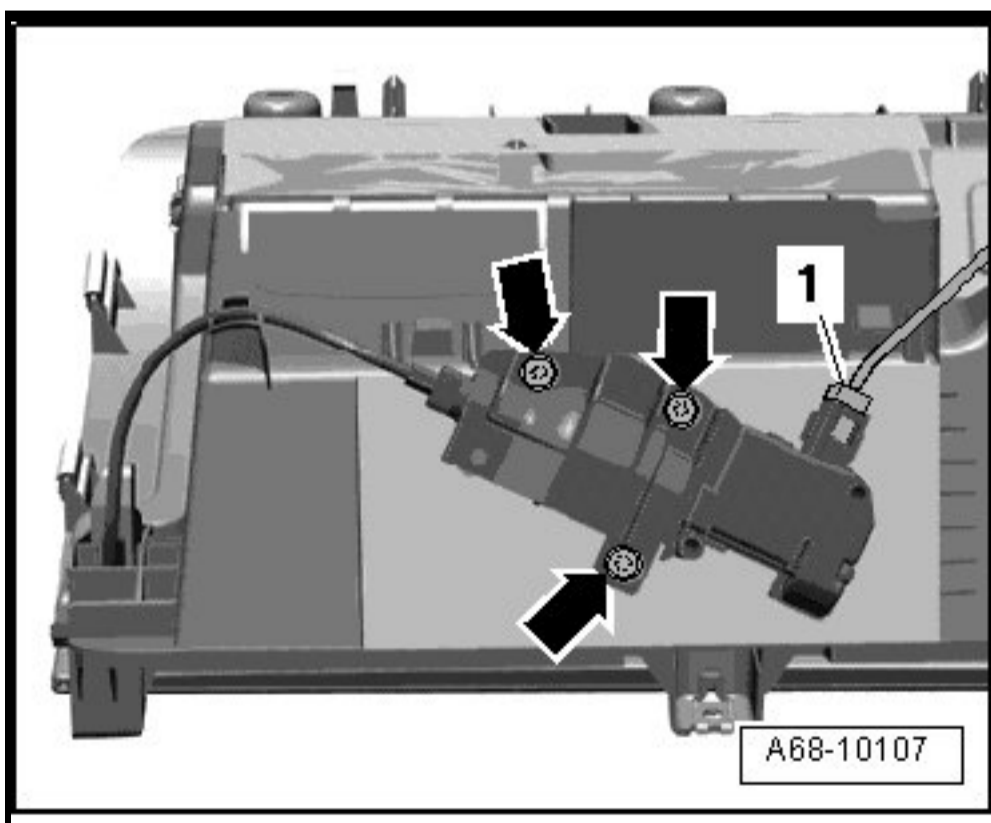
SAVE NOW >

[Vehicle](#) » [Body and Frame](#) » [Interior Moulding / Trim](#) » [Utility Storage Compartment](#) » [Service and Repair](#) » [Storage Compartments and Covers](#) » [Glove Compartment Unlock Motor \(V327\)](#)

## Glove Compartment Unlock Motor (V327)

### [Glove Compartment](#) Unlock Motor (V327)

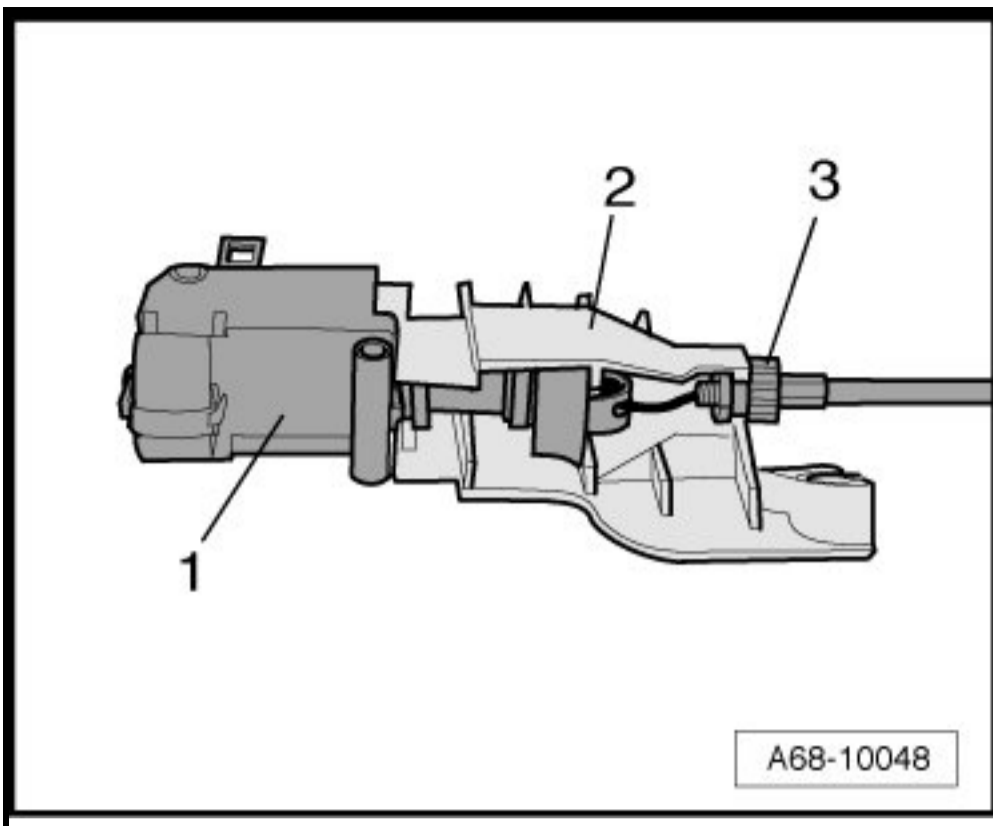
Removing



Zoom

Sized for Print

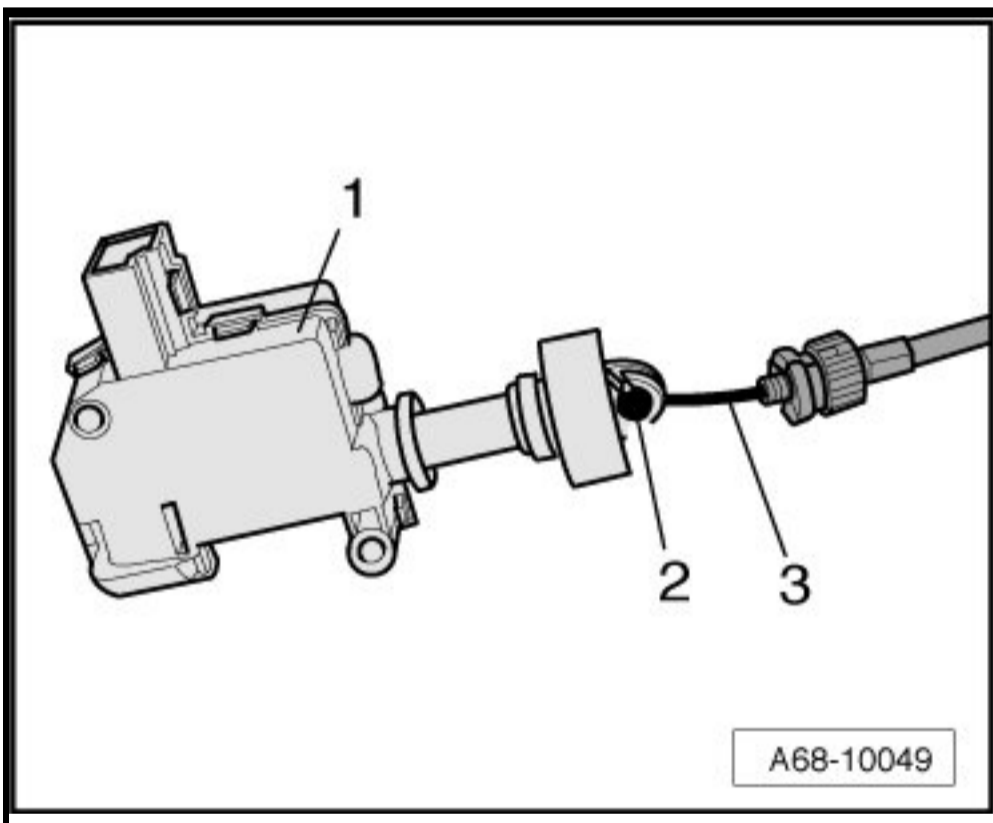
- Remove the [glove compartment](#). Refer to => [ [Glove Compartment](#) ] [See: Glove Compartment](#).
- Disconnect the connector - **1** -.
- Unscrew the screws - **arrows** - and remove the [glove compartment](#) unlock motor with the cover.
- Remove control cable - **3** - with the adjustment nut from the control cable bracket.



Zoom

Sized for Print

- Slide cover - 2 - off of the [glove compartment](#) unlock motor - 1 -.
- Turn cable - 3 - and press retaining bolts - 2 - out of operating rod - 1 -.



Zoom

Sized for Print

- Remove cable.

## Installation

Installation is reverse of removal, but note the following:

- Adjust the [glove compartment](#) cover control cable. Refer to => [ [Glove Compartment Cover Control Cable, Adjusting](#) ] [See: Dashboard / Instrument Panel\Service and Repair\Storage Compartments and Covers Overview\Glove Compartment Cover Control Cable, Adjusting.](#)

⌘ Tightening specifications, refer to => [ [Glove Compartment](#) and Instrument Panel Cover, Passenger Side Overview ] [See: Dashboard / Instrument Panel\Service and Repair\Storage Compartments and Covers Overview\Glove Compartment and](#)

