

Account

Vehicle

Help

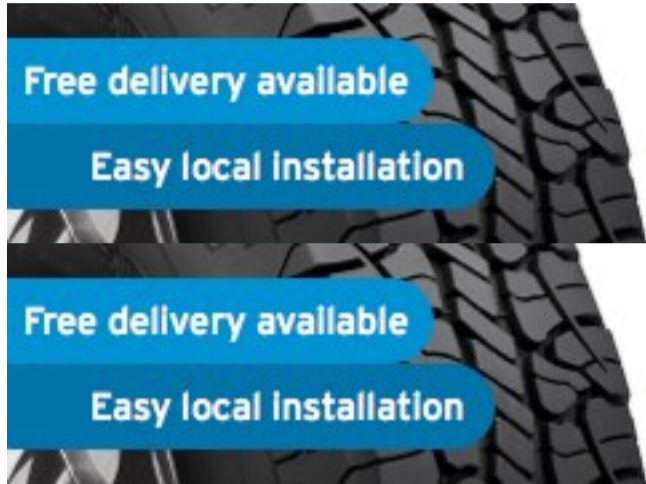
Search

Contact

AutoZone Community

Exit

Your Vehicle: 2010 Audi Q7 Quattro (4LB) V6-3.0L DSL Turbo (CATA)



SAVE \$25
instantly on 4 tires!

tirebuyer.com

SAVE NOW >

SAVE \$25
instantly on 4 tires!

tirebuyer.com

SAVE NOW >

[Vehicle](#) » [Power and Ground Distribution](#) » [Fuse](#) » [Locations](#) » [Fuses \(SD\) \(on Fuse Panel D\)](#)

Fuses (SD) (on Fuse Panel D)

Fuses

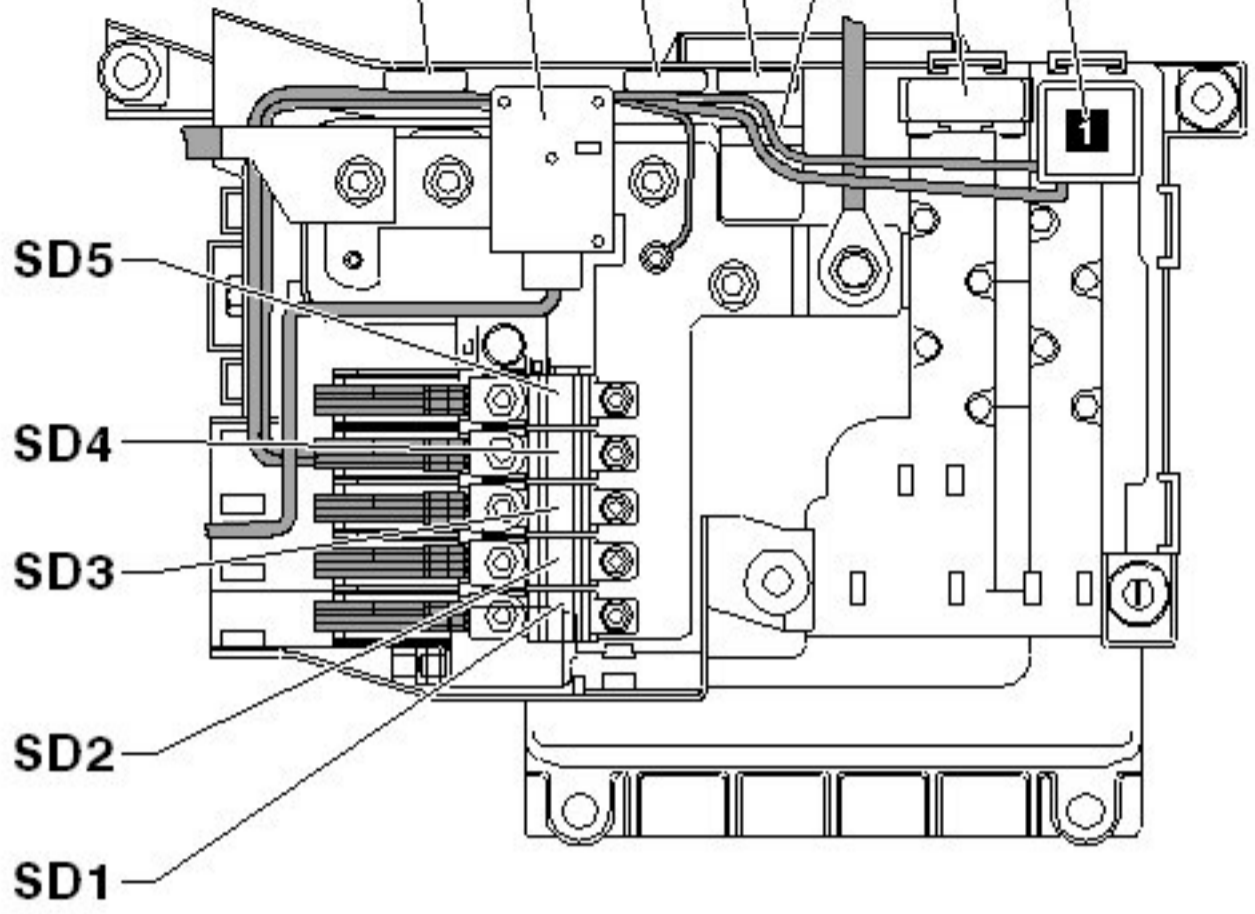
Fuses (SD) (on fuse panel D)

Component Location:

Below driver's seat.

B3 2 B2 B1 B4 A 1

B3 2 B2 B1 B4 A I



A97-11 281

Zoom

Sized for Print

2 - Battery Interrupt Igniter -N253-

A - Self-Leveling System Fuse -S110- , 40 A

B1 - Fuse 1 - terminal 30 -S204- , 30 A

α from June 2010

B2 - Vehicle Positioning System Fuse -S347- , 5 A

α from June 2008

B3 - Not used

B4 - Fuse 2 - terminal 30 -S205- , 30 A

α from June 2010

SD1 - Strip fuse 150 A

SD2 - Strip fuse 125 A

α Through May 2006

SD2 - Strip fuse 150 A

α from June 2006

SD3 - Strip fuse 50 A

SD4 - Strip fuse 60 A

SD5 - Strip fuse 125 A