

Account

Vehicle

Help

Search

Contact

AutoZone Community

Exit

Your Vehicle: 2010 Audi Q7 Quattro (4LB) V6-3.0L DSL Turbo (CATA)



SAVE \$25
instantly on 4 tires!

tirebuyer.com

SAVE NOW >

SAVE \$25
instantly on 4 tires!

tirebuyer.com

SAVE NOW >

[Vehicle](#) » [Powertrain Management](#) » [Computers and Control Systems](#) » [Testing and Inspection](#) » [Component Tests and General Diagnostics](#) » [Fuel Injectors, Checking](#)

Fuel Injectors, Checking

Fuel Injectors, Checking

Observe all safety precautions: => [[Safety Precautions](#)] [See: Service Precautions\Safety Precautions](#)

View clean working conditions: => [[Clean Working Conditions](#)] [See: Service Precautions\Clean Working Conditions](#)

Use only gold-plated terminals when servicing any component with gold-plated electrical harness connector terminals.

For wiring diagrams, component locations, and connector views, refer to the applicable wiring diagram.

Special tools, testers and auxiliary items required

- ✘ multimeter.
- ✘ Diode test lamp (12V).
- ✘ Wiring diagram.

Test requirements

- ✘ The Engine Speed (RPM) Sensor (G28) OK.
- ✘ Battery voltage at least 12.5 volts.
- ✘ All electrical consumers such as, lights and rear window defroster, switched off.
- ✘ Vehicles with automatic transmission, shift selector lever into position "P" or "N".
- ✘ A/C switched off.
- ✘ Ground (GND) connections between engine/transmission/chassis OK.
- ✘ Ignition switched off.

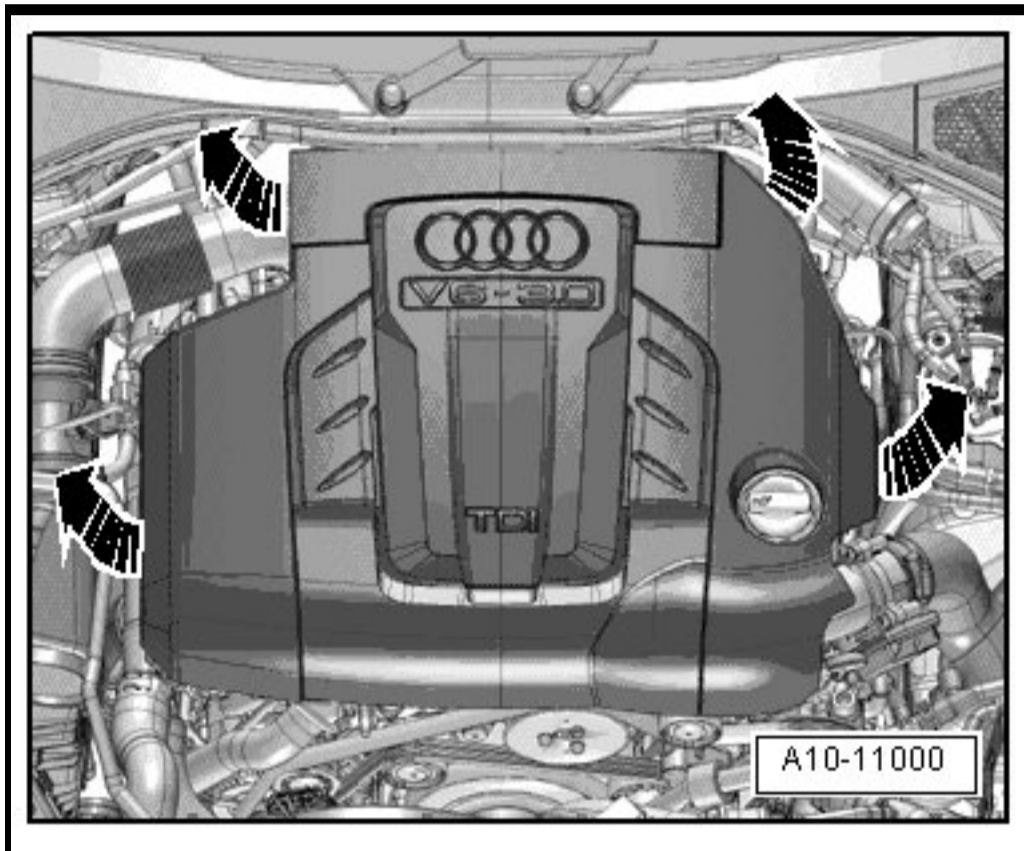
- Observe safety precautions.
- Observe rules for cleanliness.

Test procedure

- Perform a preliminary check to verify the customers complaint. Refer to => [Preliminary Check] [See: Scan Tool Testing and Procedures\Preliminary Check](#)

Start diagnosis

- Remove the engine cover and air intake duct. Refer to appropriate service manual.



Zoom

Sized for Print

- Disconnect the [Fuel Injector](#) electrical harness connectors from Fuel Injectors (N30, N31, N32, N33, N83, N84).

Checking internal resistance

- Using a multimeter, check the [Fuel Injector](#) terminals 1 to 2 for resistance.

Specified value: 178 Kohms to 184 Kohms (at approx. 20°C)

If the specified value was Not obtained:

- Replace the malfunctioning [Fuel Injector](#).

If the specified value was obtained:

Checking wiring

If the manufacturers test box is being used, perform the following step.

- Install the test box.

If the manufacturers test box is not being used, perform the following step.

- Remove the Engine Control Module (ECM) (J623). Refer to the Repair Manual.
- Using a multimeter, check the [Fuel Injector](#) electrical harness connector terminals to the Engine Control Module (ECM) (J623) electrical harness connector T105 terminals for a short to ground or voltage, high resistance or an open circuit.

Component	Fuel Injector electrical harness connector terminals	Motronic Engine Control Module (ECM) (J623) electrical connector T60 terminals or test box sockets
Cylinder 1 Fuel Injector (N30)	2	2
Cylinder 2 Fuel Injector (N31)	2	4
Cylinder 3 Fuel Injector (N32)	2	18
Cylinder 4 Fuel Injector (N33)	2	17
Cylinder 5 Fuel Injector (N83)	2	3
Cylinder 6 Fuel Injector (N84)	2	16
Cylinder 7 Fuel Injector (N85)	2	1
Cylinder 8 Fuel Injector (N86)	2	19

Zoom

Sized for Print

Specified value: 1.5 ohms Max.

If the specified value was Not obtained:

- Check the wiring for an open, high resistance or short to ground or voltage.
- Check the electrical harness connector for damage, corrosion, loose or broken terminals.
- If necessary, repair the faulty wiring connection.

If no malfunction is detected in the wiring:

- Replace the Engine Control Module (ECM) (J623). Refer to the Repair Manual.
- Install the engine cover with air filter.

Final procedures

After the repair work, the following work steps must be performed in the following sequence:

1. Check the DTC memory. Refer to => [Diagnostic Mode 03 - Read DTC Memory] [See: Scan Tool Testing and Procedures\Diagnostic Modes 01 - 09.](#)
2. If necessary, erase the DTC memory. Refer to => [Diagnostic Mode 04 - Erase DTC Memory] [See: Scan Tool Testing and Procedures\Diagnostic Modes 01 - 09.](#)
3. If the DTC memory was erased, generate readiness code. Refer to => [Readiness Code] [See: Monitors, Trips, Drive Cycles and Readiness Codes.](#)

[Account](#) | [Vehicle](#) | [Help](#) | [Contact](#) | [AutoZone Community](#) | [Exit](#)

© 2015 ALLDATA, LLC. All Rights Reserved. [Trademarks](#) | [Privacy Policy](#) | [Terms and Conditions](#)