

Account

Vehicle

Help

Search

Contact

AutoZone Community

Exit

Your Vehicle: 2010 Audi Q7 Quattro (4LB) V6-3.0L DSL Turbo (CATA)



SAVE \$25
instantly on 4 tires!

tirebuyer.com

SAVE NOW >

SAVE \$25
instantly on 4 tires!

tirebuyer.com

SAVE NOW >

[Vehicle](#) » [Heating and Air Conditioning](#) » [Service and Repair](#) » [Removal and Replacement](#) » [Rear HVAC Components](#) » [Left Rear Temperature Door Motor \(V313\)](#)

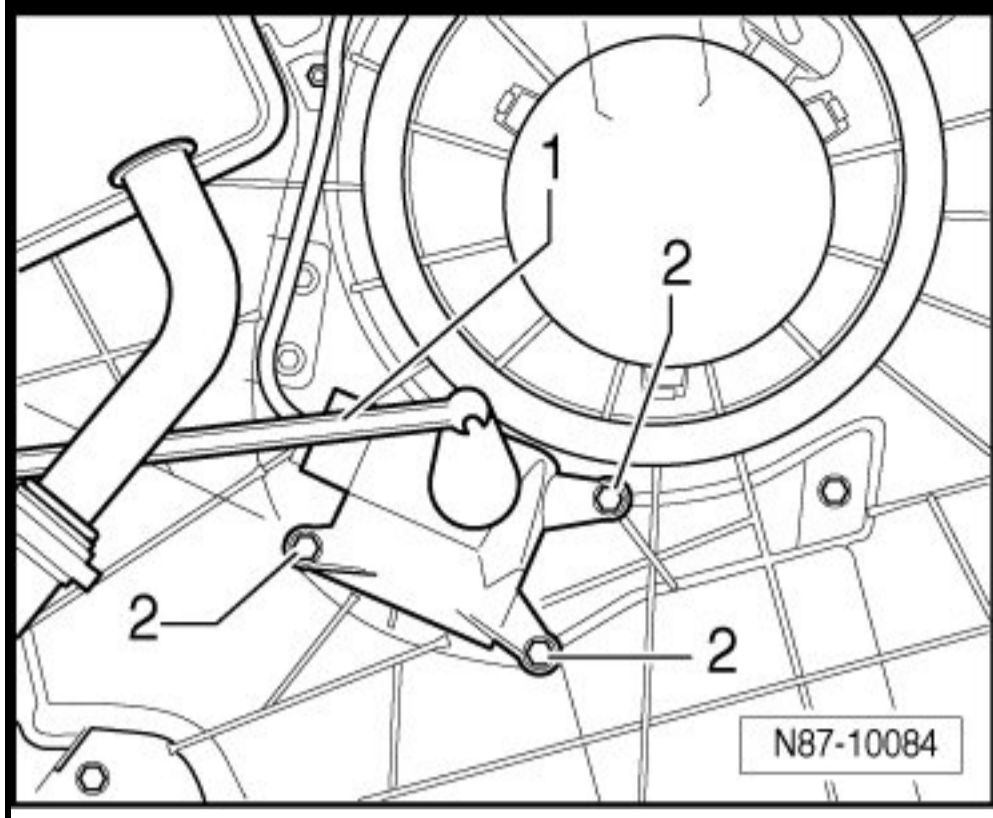
Left Rear Temperature Door Motor (V313)

Left Rear Temperature Door Motor (V313)

⌘ With the Left Rear Temperature Door Position Sensor (G391)

Removing

- Switch off ignition.
- Bring rear heating & A/C unit into service position, refer to => [Rear Heating & A/C Unit, Bringing Into Service Position]
[See: Rear Heating & A/C Unit, Bringing Into Service Position.](#)
- Remove (unhook) lever - **1** - from Left Rear Temperature Door Motor.
- Remove screws - **2** -.



Zoom

Sized for Print

- Disconnect electrical connection from Left Rear Temperature Door Motor and remove control motor.

Installing

- Install the removed components again in reverse order.
- Check DTC memory of Climatronic Control Module (J255) (and of Rear A/C Display Control Head (E265)) and erase any DTCs displayed using Vehicle Diagnosis, Testing and Information System VAS5051 in the "Guided Fault Finding" function.
- If necessary, perform a basic setting and output diagnostic test mode on the A/C system using Vehicle Diagnosis, Testing and Information System VAS5051 in the "Guided Fault Finding" function.

[Account](#) | [Vehicle](#) | [Help](#) | [Contact](#) | [AutoZone Community](#) | [Exit](#)

© 2015 ALLDATA, LLC. All Rights Reserved. [Trademarks](#) | [Privacy Policy](#) | [Terms and Conditions](#)