

Account

Vehicle

Help

Search

Contact

AutoZone Community

Exit

Your Vehicle: 2010 Audi Q7 Quattro (4LB) V6-3.0L DSL Turbo (CATA)



SAVE \$25
instantly on 4 tires!

tirebuyer.com

SAVE NOW >

SAVE \$25
instantly on 4 tires!

tirebuyer.com

SAVE NOW >

[Vehicle](#) » [Starting and Charging](#) » [Starting System](#) » [Starter Motor](#) » [Service and Repair](#) » [Starter](#)

Starter

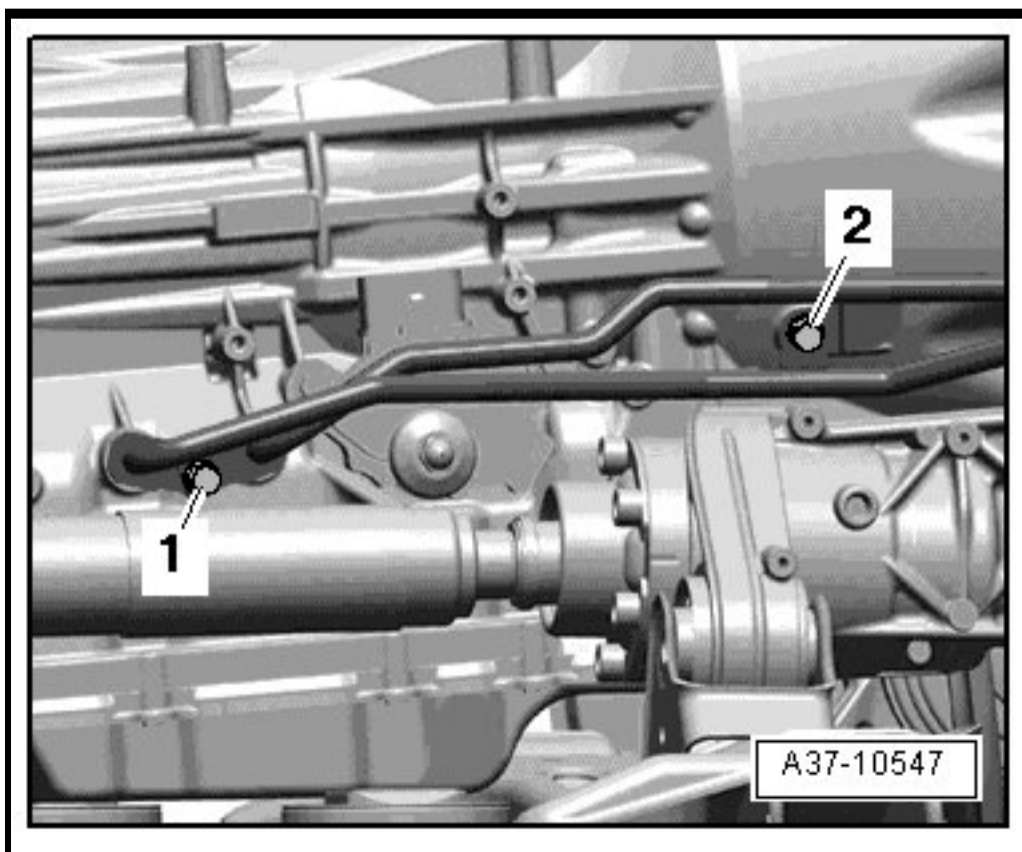
Starter

Special tools, testers and auxiliary items required

- ⌘ 16 mm Open End Wrench (T10388)

Observe notes on contact corrosion. Refer to => [[Contact Corrosion](#)] [See: Battery\Service Precautions>Contact Corrosion.](#)

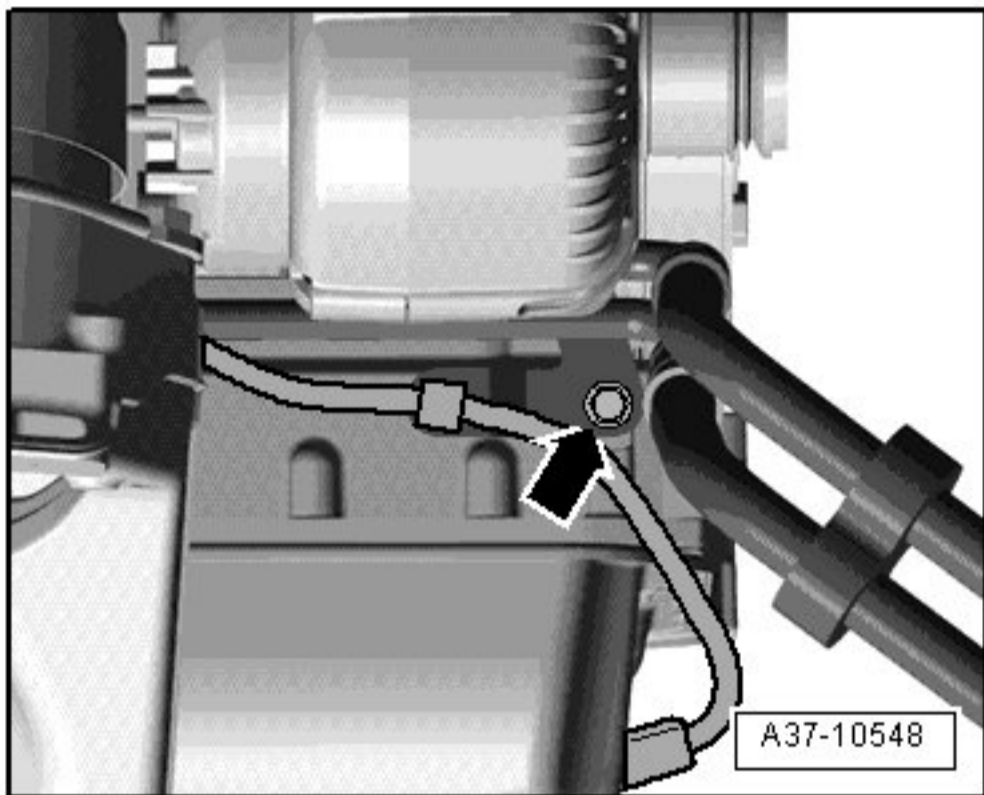
Removing



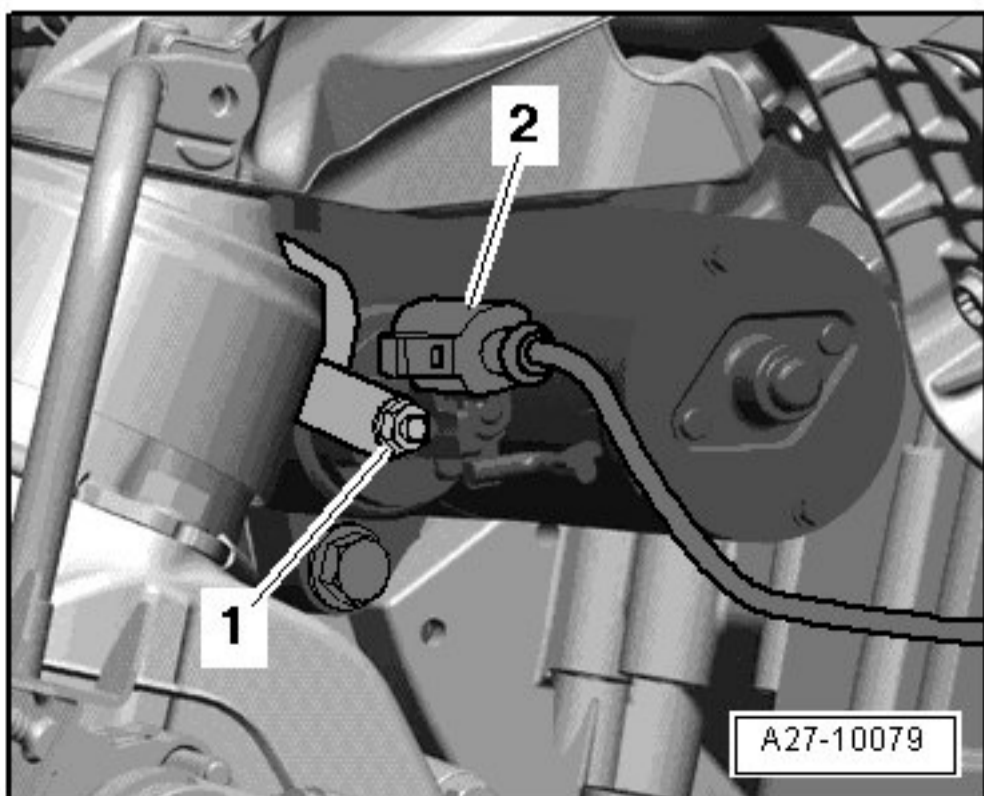
- With ignition switched off, disconnect **battery** ground (GND) wire. Refer to => [Battery, Disconnecting and Connecting] [See: Service and Repair.](#)
- Remove generator: air-cooled, refer to => [Generator, Air Cooled] [See: Charging System\Alternator\Service and Repair\Generator\Generator, Air Cooled](#); water-cooled, refer to => [Generator, Water-Cooled] [See: Charging System\Alternator\Service and Repair\Generator\Generator, Water-Cooled.](#)
- Remove bolt - **2** -.

⌘ Disregard item - **1** -.

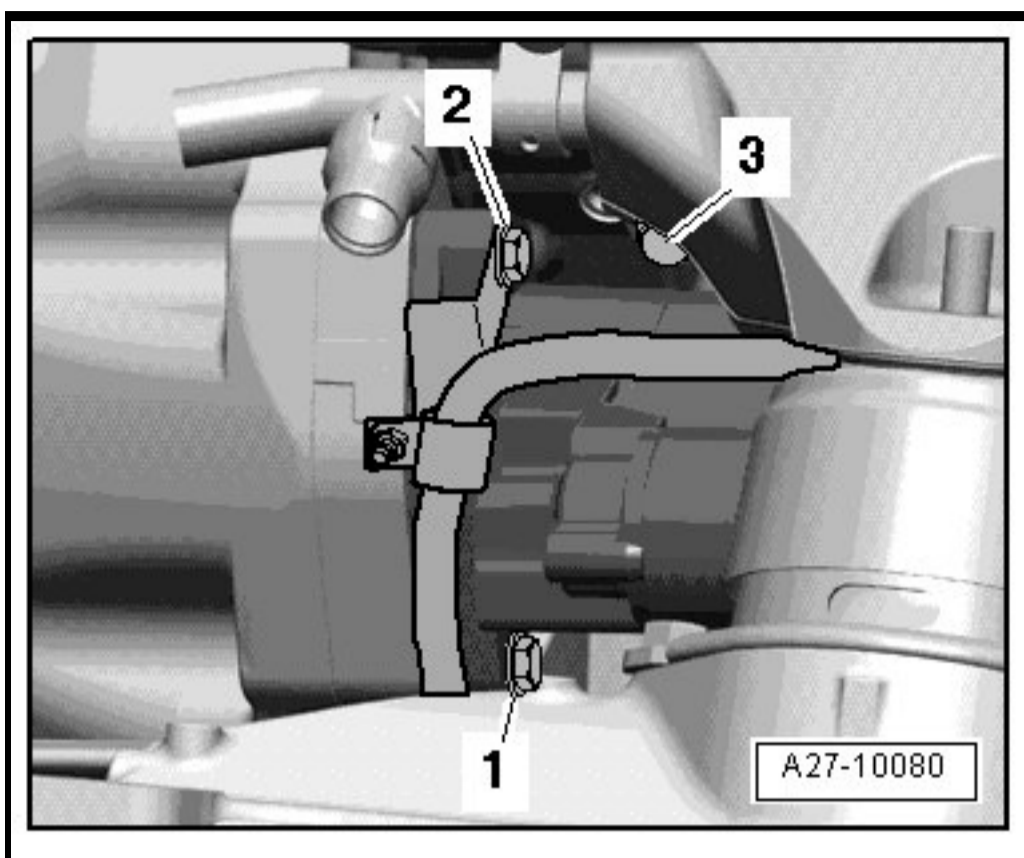
- Remove bolt - **arrow** -.



- Leave ATF line in installation location.
- Disconnect electrical connector - **2** -.



- Remove B+ wire - **1** -.
- Remove engine support screw - **3** -.



Zoom

Sized for Print

- Remove the bolt - **2** - using the (T10388).
- Remove the bolt - **1** - and remove the starter.

Installing

Install in reverse order of removal, observing the following:

- Install the engine support.
- Install the generator: air-cooled. Refer to => [Generator, Air Cooled] [See: Charging System\Alternator\Service and Repair\Generator\Generator, Air Cooled](#); water-cooled, refer to => [Generator, Water-Cooled] [See: Charging System\Alternator\Service and Repair\Generator\Generator, Water-Cooled](#).
- Connect **battery**. Refer to => [See: Service and Repair](#).

Tightening Specifications

Component		Nm
Starter to transmission - upper bolt		
	without 16 mm open end wrench (T10388)	65
	with 16 mm open end wrench (T10388) and torque wrench (VAG 1332)	53
	with 16 mm open end wrench (T10388) and torque wrench (VAS 5820)	50
Starter to transmission - lower bolt		65
B+ wire to starter		16
ATF line to	Upper part of oil pan	9
	Transmission	9

Zoom

Sized for Print

