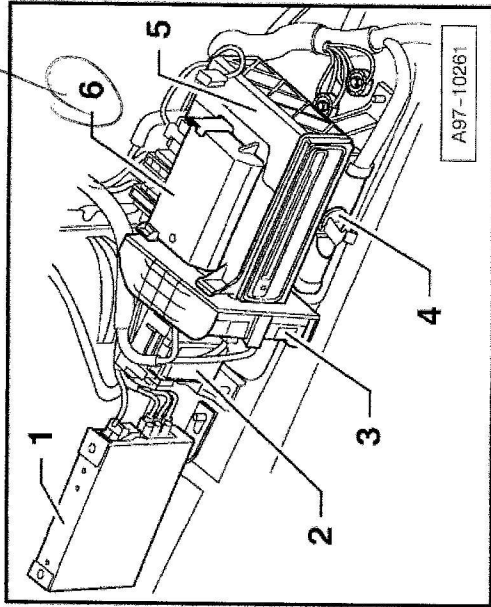


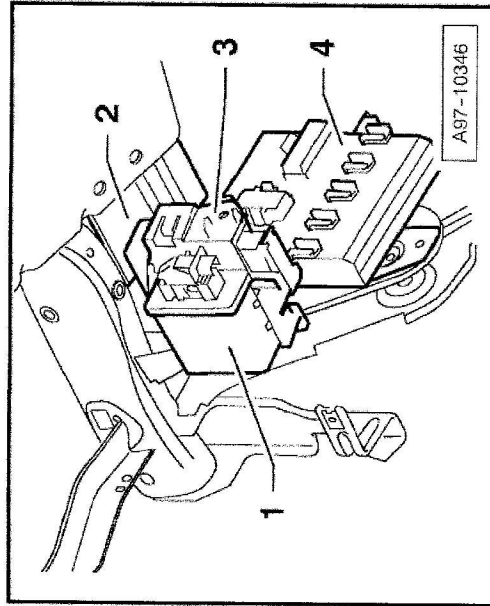
Control Module in Luggage Compartment right, lower part



Component Location:

- 1 - Rear View Camera System Control Module -J772-
- 2 - Comfort System Central Control Module 2 -J773-
- 3 - Comfort System Central Control Module -J393-
- 4 - Level Control System Control Module -J197-
- 5 - Navigation System with CD Drive Control Module -J401-
- 6 - Towing Recognition Control Module -J345-

Control Module behind Storage Compartment Driver's Side



Component Location:

- 1 - Headlamp Range Control Module -J431-
- 2 - Data Bus On Board Diagnostic Interface -J533-
- 3 - Tire Pressure Monitoring Control Module -J502-
- 4 - Vehicle Electrical System Control Module -J519-

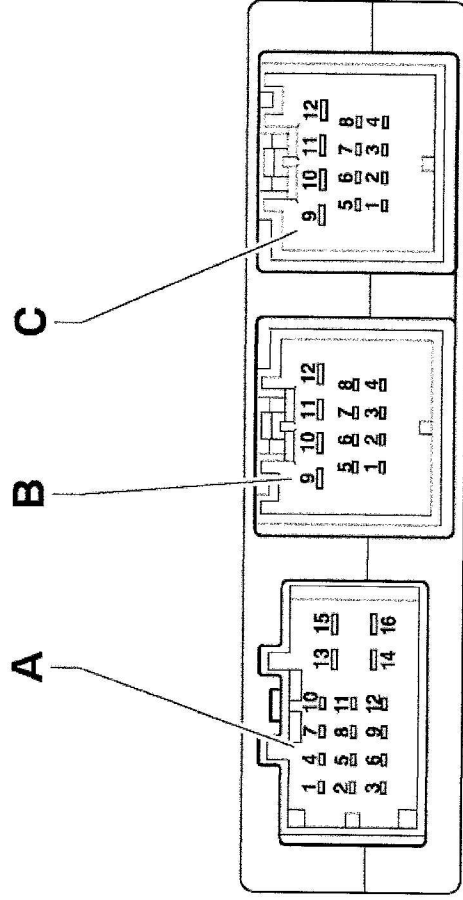
Towing Recognition Control Module
-J345-

Connectors:

A - 16-Pin Connector, black, T16e

B - 12-Pin Connector, red, T12d

C - 12-Pin Connector, blue, T12c (not applicable to USA/Cdn.)



A97-10125