

Account

Vehicle

Help

Search

Contact

AutoZone Community

Exit

Your Vehicle: 2010 Audi Q7 Quattro (4LB) V6-3.0L DSL Turbo (CATA)



SAVE \$25
instantly on 4 tires!

tirebuyer.com

SAVE NOW >

SAVE \$25
instantly on 4 tires!

tirebuyer.com

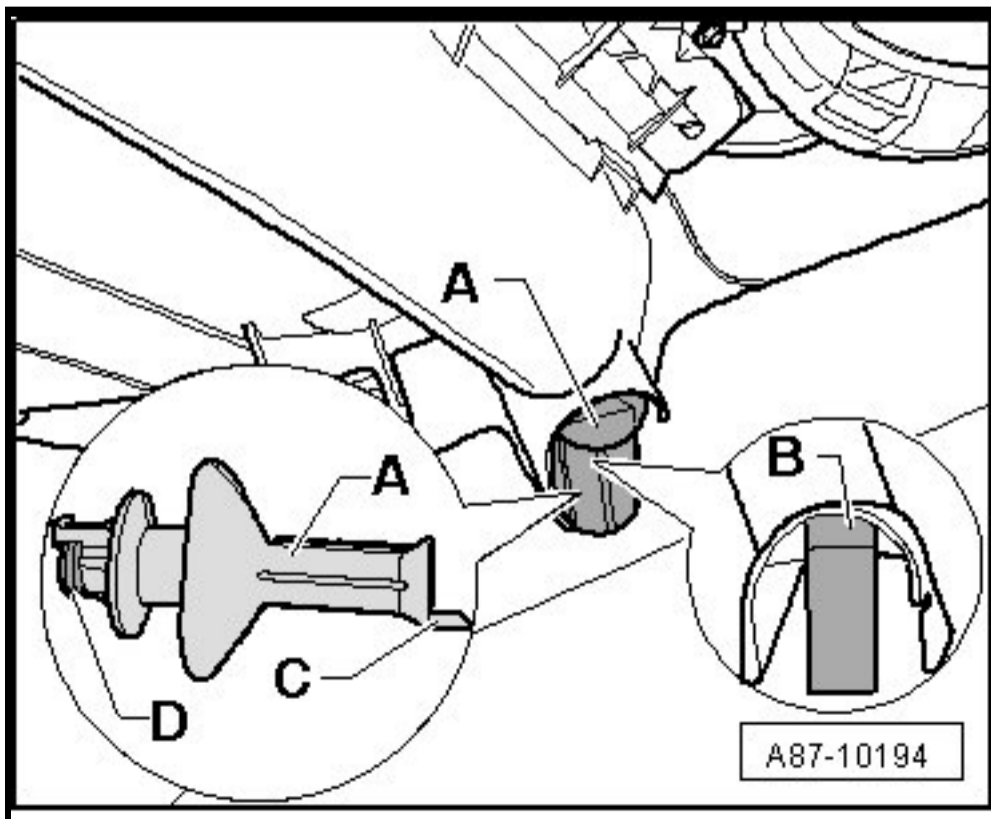
SAVE NOW >

[Vehicle](#) » [Heating and Air Conditioning](#) » [Evaporator Drain Tube](#) » [Service and Repair](#) » [Removal and Replacement](#) » [Front Condensation Water Drain Hose](#)

Front Condensation Water Drain Hose

Front Condensation Water Drain Hose

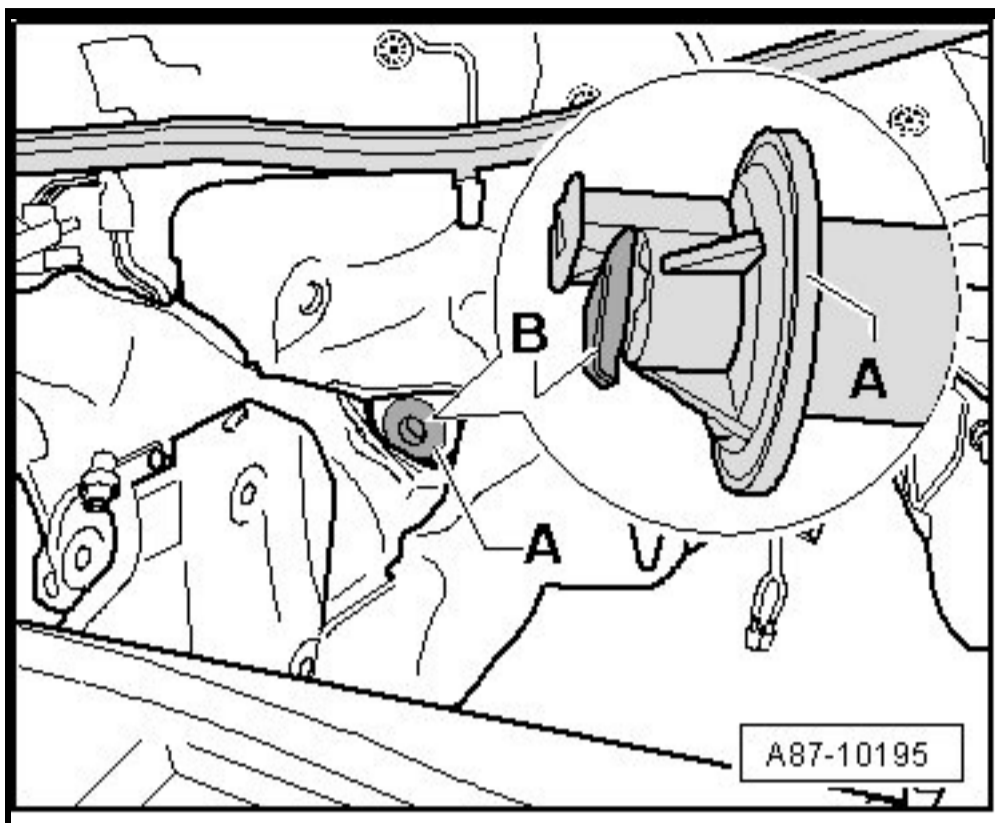
- ⌘ Only one condensation water drain hose is installed on this vehicle (at right on heating & A/C unit in passenger compartment).
- ⌘ There is a door - **D** - on the outlet opening on the condensation water drain hose - **A** -, check this door, it must not be jammed and must close.



Zoom

Sized for Print

- Condensation water drain - **A** - ends in engine compartment at lower right beneath bulkhead. Depending on version of vehicle (engine and transmission configuration), condensation water drain can be checked via the engine compartment (from above or below).



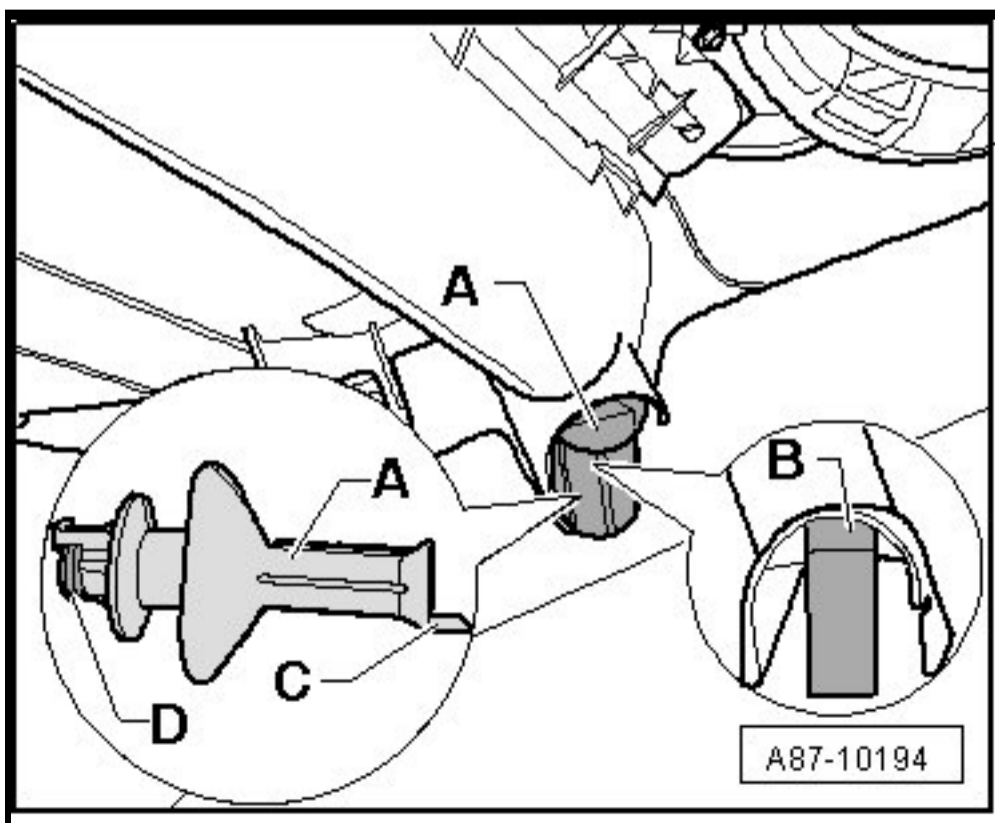
Zoom

Sized for Print

- For clear illustration, condensation water drain - **A** - is depicted with assemblies removed.
- Door - **B** - on condensation water drain must not be obstructed by wax or underbody sealer, it must close properly.
- Condensation Drain, checking, refer to => [Front Condensation Water Drain, Checking] [See: Testing and Inspection.](#)

Removing

- Remove instrument panel trim under glove compartment.
- Remove lower right A pillar trim..
- If necessary, carefully fold back floor mat far enough that condensation water drain hose - **A** - is visible.



Zoom

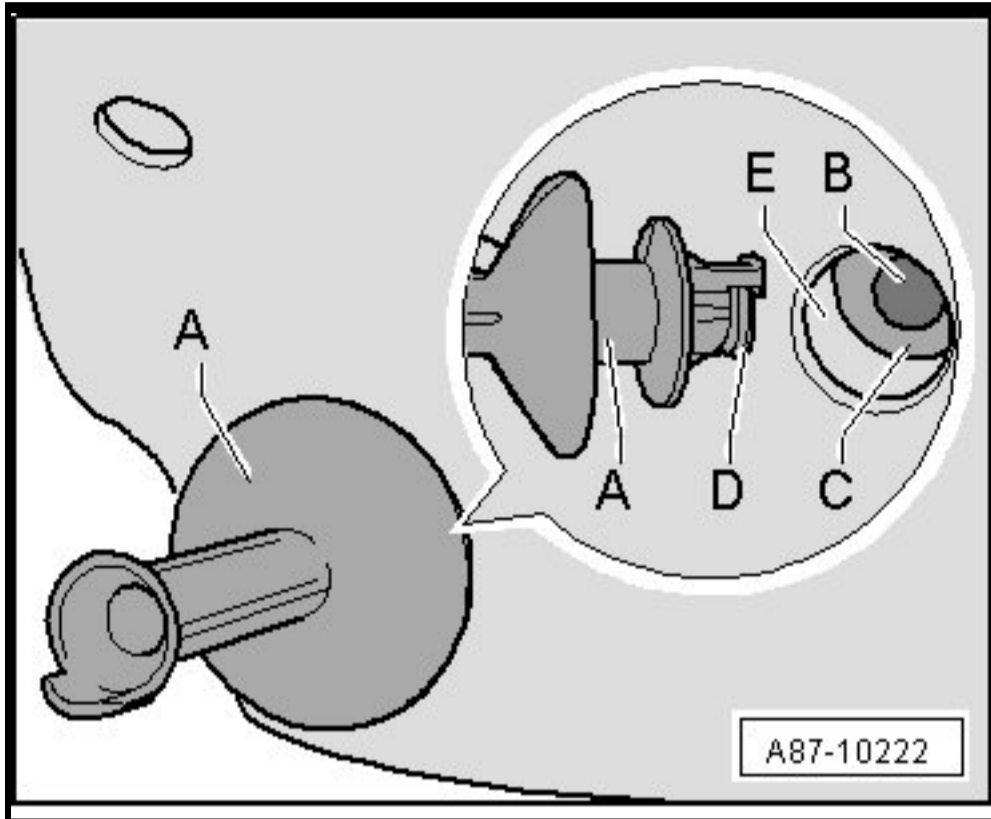
Sized for Print

- Cover area of floor mat under condensation water drain hose - **A** - with absorbent paper (so that any water present does not flow on to or below floor mat).
- Remove condensation water drain hose - **A** -.

Installing

☒ Check the following before installing the condensation water hose - **A** -:

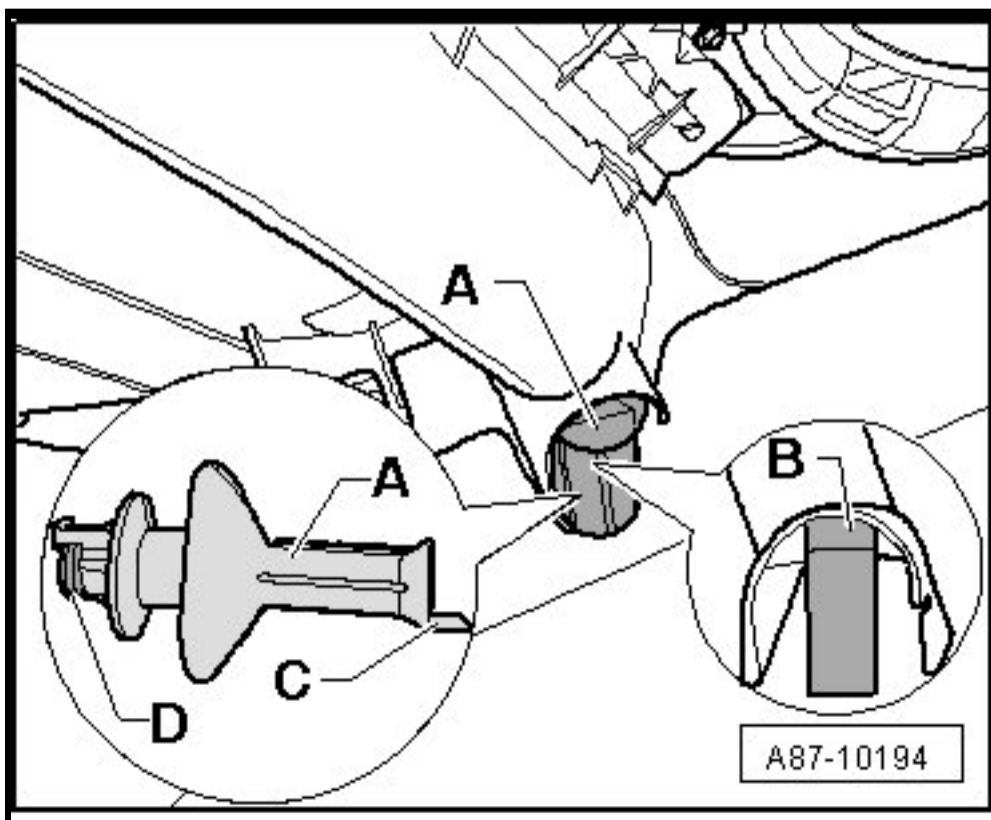
- Check clearance of the insulation mat (in engine compartment) via opening - **B** - in floor plate - **C** -, it must be large enough so that it does not contact the door - **D** -, permitting condensation water to drain out from condensation water drain opening.



Zoom

Sized for Print

- Check installation position of floor mat - **E** -, it must not constrict (compress) cross section of condensation water drain hose - **A** -.
- Condensation water drain of heating & A/C unit - **B** - for soiling (for example, using a piece of wire) and clean it if necessary.
- Insert condensation water drain into opening in lower floor plate - **C** -.
- Connect condensation water drain hose - **A** - on proper side to condensation water drain of heating & A/C unit - **B** - (opening of door - **D** - must be at bottom) and secure the connection if necessary using a clamp.



- Check installation position of floor carpet, it must not constrict (compress) cross section of condensation water drain hose - **A** -.
 - Install the instrument panel trim under glove compartment.
- ☒ Condensation water hose must fit securely on connection of heating & A/C unit.
- ☒ Condensation water hose to valve (door) must not be kinked or pinched.

[Account](#) | [Vehicle](#) | [Help](#) | [Contact](#) | [AutoZone Community](#) | [Exit](#)