

Account

Vehicle

Help

Search

Contact

AutoZone Community

Exit

Your Vehicle: 2010 Audi Q7 Quattro (4LB) V6-3.0L DSL Turbo (CATA)



SAVE \$25
instantly on 4 tires!

tirebuyer.com

SAVE NOW >

SAVE \$25
instantly on 4 tires!

tirebuyer.com

SAVE NOW >

[Vehicle](#) » [Powertrain Management](#) » [Computers and Control Systems](#) » [Testing and Inspection](#) » [Component Tests and General Diagnostics](#) » [Fuel Pressure Sensor, Checking](#)

Fuel Pressure Sensor, Checking

Fuel Pressure Sensor, Checking

Observe all safety precautions: => [[Safety Precautions](#)] [See: Service Precautions\Safety Precautions](#)

View clean working conditions: => [[Clean Working Conditions](#)] [See: Service Precautions\Clean Working Conditions](#)

Use only gold-plated terminals when servicing any component with gold-plated electrical harness connector terminals.

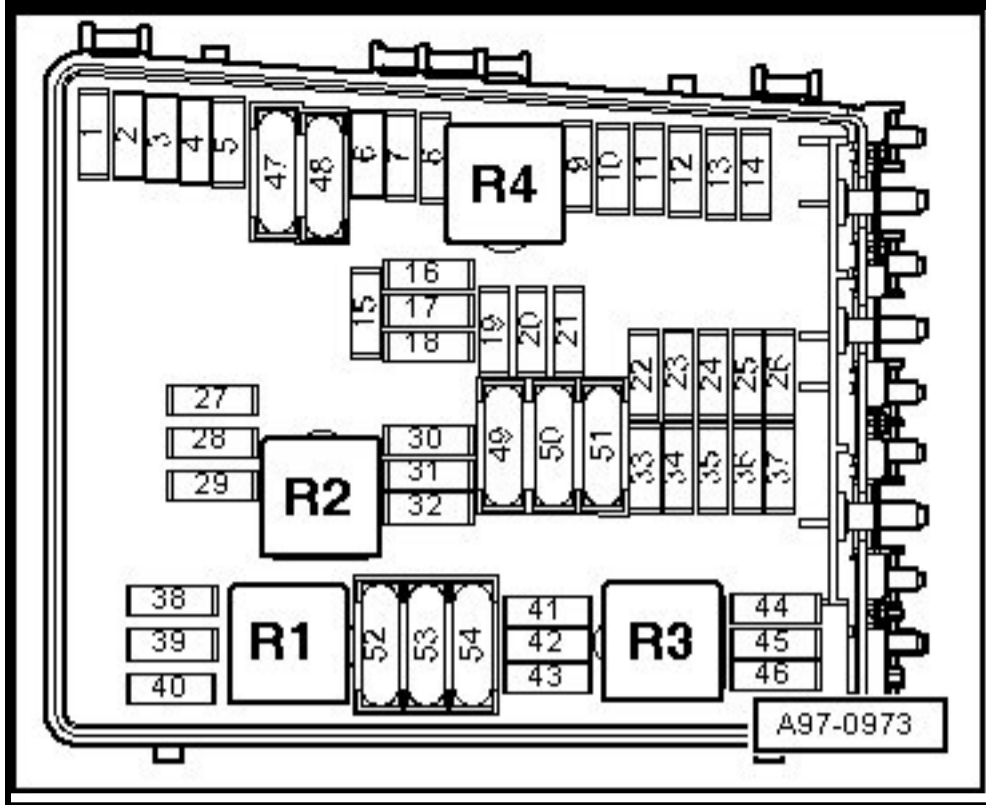
For wiring diagrams, component locations, and connector views, Refer to the applicable wiring diagram.

Special tools, testers and auxiliary items required

- ⌘ multimeter
- ⌘ Wiring diagram.

Test requirements

- ⌘ The Engine Control Module (ECM) (J623) fuses OK.



Zoom

Sized for Print

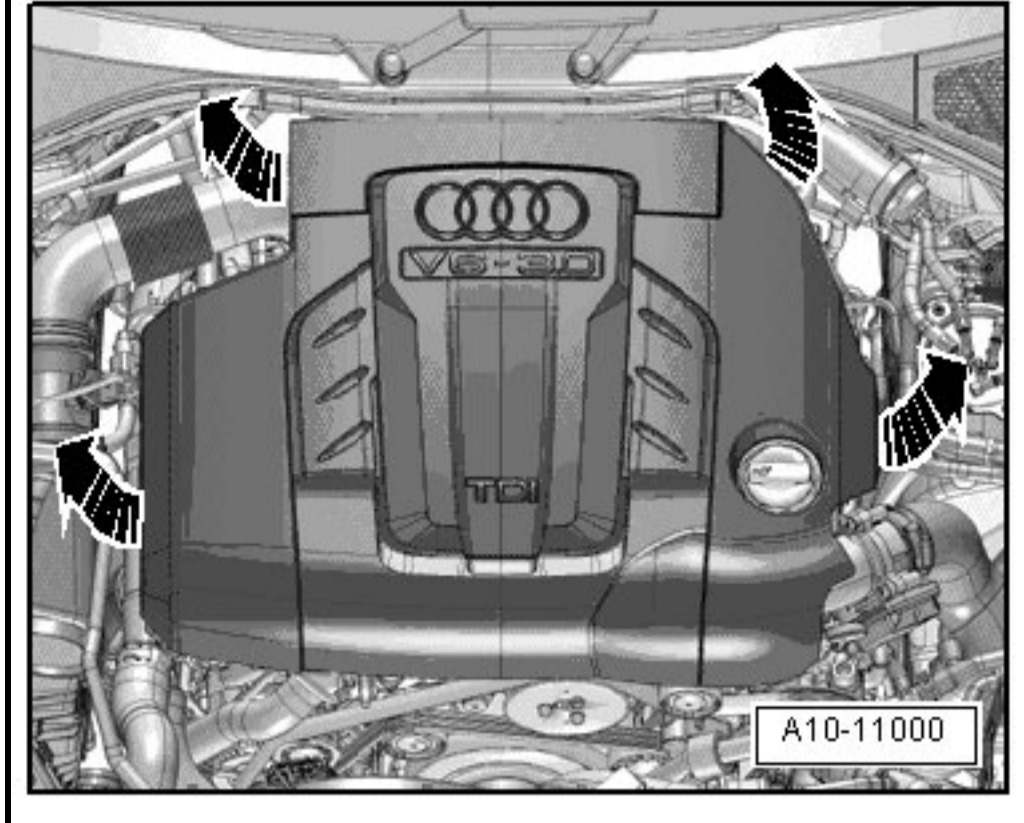
- ⊠ The [fuel filter](#) OK.
- ⊠ The battery voltage at least 12.5 V.
- ⊠ All electrical consumers switched off (radiator fan must NOT run during test).
- ⊠ A/C switched off.
- ⊠ The [fuel tank](#) at least 1/4 filled.
- ⊠ The ignition switched off.

Test procedure

- Perform a preliminary check to verify the customers complaint. Refer to => [Preliminary Check] [See: Scan Tool Testing and Procedures\Preliminary Check](#)

Start diagnosis

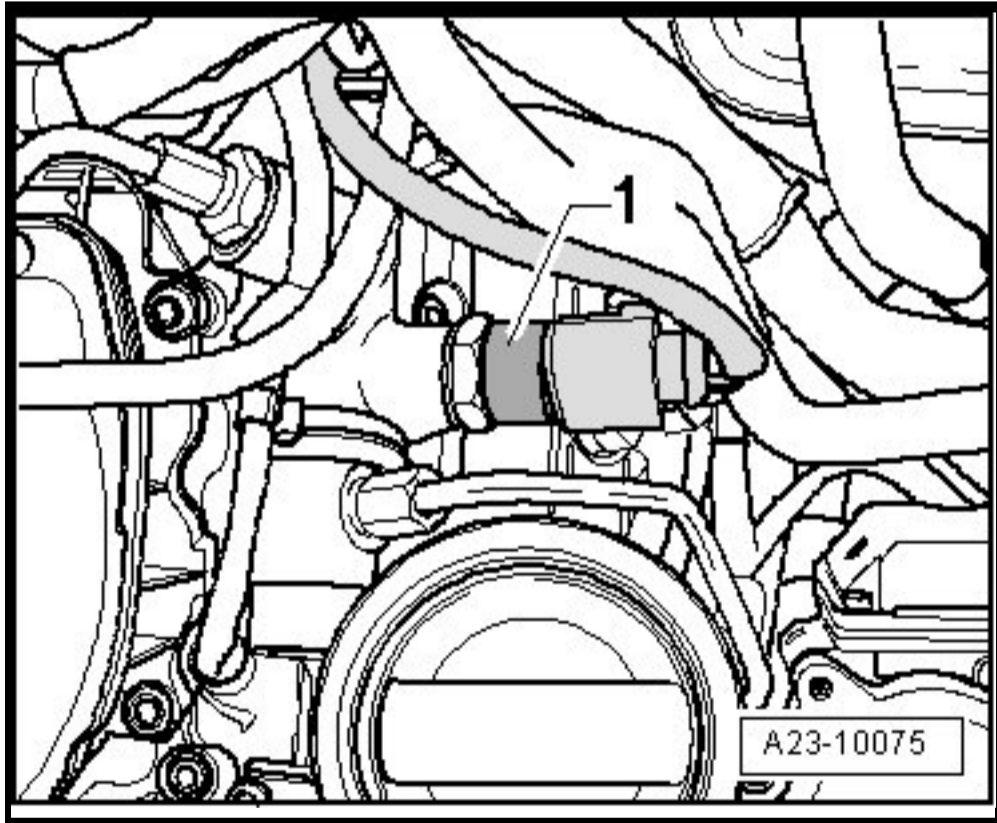
- Remove the engine cover with air filter. Refer to appropriate service manual.



Zoom Sized for Print

Checking voltage

- Disconnect the [Fuel Pressure Sensor](#) (G247) electrical harness connector.- 1 -



Zoom Sized for Print

- Switch the ignition on.
- Using a multimeter, check the [Fuel Pressure Sensor](#) (G247) electrical harness connector terminals for voltage.

Fuel Pressure Sensor (G247) electrical harness connector terminals	Specified value
1 to Battery positive (+)	Battery voltage
3 to Ground (GND)	about 5 V

Zoom Sized for Print

- Switch the ignition off.

If the specified value was obtained:

- Replace the [Fuel Pressure Sensor](#) (G247). Refer to appropriate service manual.

If the specified value was not obtained:

Checking wiring connections

If the manufacturers test box is being used, perform the following step.

- Install the test box.

If the manufacturers test box is not being used, perform the following step.

- Remove the Engine Control Module (ECM) (J623). Refer to appropriate service manual.
- Using a multimeter, check the [Fuel Pressure Sensor](#) (G247) electrical harness connector terminals to the Engine Control Module (ECM) (J623) electrical harness connector T60 terminals for an open circuit according to the wiring diagram.

Fuel Pressure Sensor (G247) electrical harness connector terminals	Motronic Engine Control Module (ECM) (J623) electrical connector T60 terminals or test box socket
1	14
2	25
3	26

Zoom

Sized for Print

Specified value: 1.5 ohms Max.

If the specification is not obtained:

- Check the wiring for a short circuit to each other, Battery (+), and Ground (GND).
- Check the electrical harness connector for damage, corrosion, loose or broken terminals.
- If necessary, repair the faulty wiring connection.

If no malfunction is detected in the wiring:

- Replace the Engine Control Module (ECM) (J623). Refer to appropriate service manual.
- Install the engine cover with air filter. Refer to appropriate service manual.

Final procedures

After the repair work, the following work steps must be performed in the following sequence:

1. Check the DTC memory. Refer to => [Diagnostic Mode 03 - Read DTC Memory] [See: Scan Tool Testing and Procedures\Diagnostic Modes 01 - 09.](#)
2. If necessary, erase the DTC memory. Refer to => [Diagnostic Mode 04 - Erase DTC Memory] [See: Scan Tool Testing and Procedures\Diagnostic Modes 01 - 09.](#)
3. If the DTC memory was erased, generate readiness code. Refer to => [Readiness Code] [See: Monitors, Trips, Drive Cycles and Readiness Codes.](#)

[Account](#) | [Vehicle](#) | [Help](#) | [Contact](#) | [AutoZone Community](#) | [Exit](#)