

Account

Vehicle

Help

Search

Contact

AutoZone Community

Exit

Your Vehicle: 2010 Audi Q7 Quattro (4LB) V6-3.0L DSL Turbo (CATA)



SAVE \$25  
instantly on 4 tires!

tirebuyer.com

SAVE NOW >

SAVE \$25  
instantly on 4 tires!

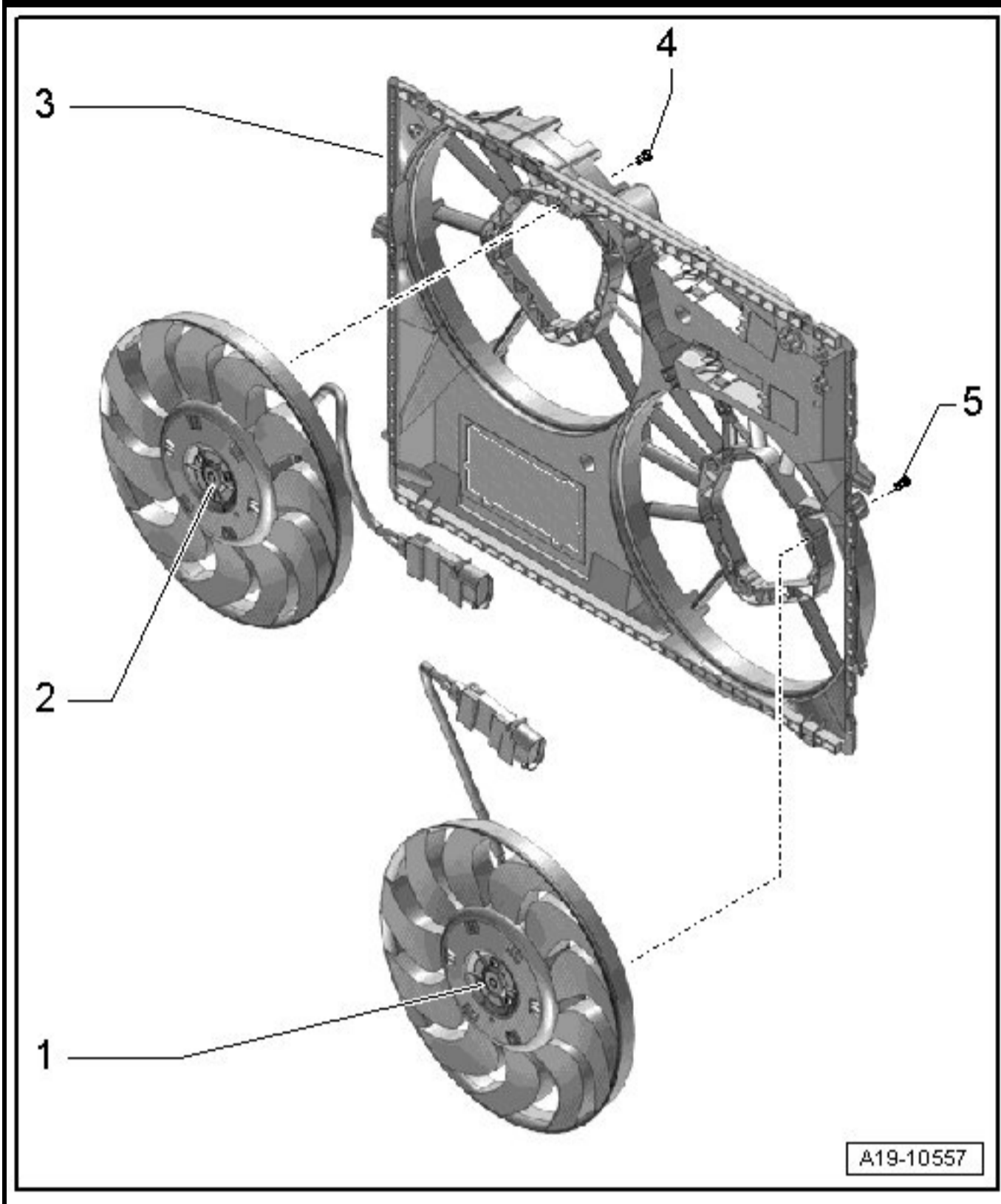
tirebuyer.com

SAVE NOW >

[Vehicle](#) » [Engine, Cooling and Exhaust](#) » [Cooling System](#) » [Radiator Cooling Fan](#) » [Service and Repair](#) » [Fan Shroud and Coolant Fan Overview](#)

Fan Shroud and Coolant Fan Overview

[Fan Shroud](#) and Coolant Fan Overview



Zoom

Sized for Print

### 1 Coolant Fan (V7) with Coolant Fan Control Module (J293)

⌘ Removing and installing, refer to => [ [Coolant Fan](#) ] [See: Coolant Fan](#)

### 2 Coolant Fan 2 (V177) with Coolant Fan Control Module 2 (J671)

⌘ Removing and installing, refer to => [ [Coolant Fan](#) ] [See: Coolant Fan](#)

### 3 Fan Rib

⌘ Removing and installing - vehicles built through 05.10, refer to => [ [Fan Shroud](#), Vehicles Built through 05.10 ] [See: Fan Shroud\Service and Repair\Fan Shroud, Vehicles Built Through 05.10](#)

⌘ Removing and installing - vehicles built from 06.10, refer to => [ [Fan Shroud](#), Vehicles Built from 06.10 ] [See: Fan Shroud\Service and Repair\Fan Shroud, Vehicles Built From 06.10](#)

### 4 Bolt

⌘ 10 Nm

5 Bolt

⌵ 10 Nm

[Account](#) | [Vehicle](#) | [Help](#) | [Contact](#) | [AutoZone Community](#) | [Exit](#)

© 2015 ALLDATA, LLC. All Rights Reserved. [Trademarks](#) | [Privacy Policy](#) | [Terms and Conditions](#)