

Account

Vehicle

Help

Search

Contact

AutoZone Community

Exit

Your Vehicle: 2010 Audi Q7 Quattro (4LB) V6-3.0L DSL Turbo (CATA)



SAVE \$25
instantly on 4 tires!

tirebuyer.com

SAVE NOW >

SAVE \$25
instantly on 4 tires!

tirebuyer.com

SAVE NOW >

[Vehicle](#) » [Power and Ground Distribution](#) » [Power Distribution Module](#) » [Locations](#) » [Vehicle Electrical System Control Module -J519-](#)

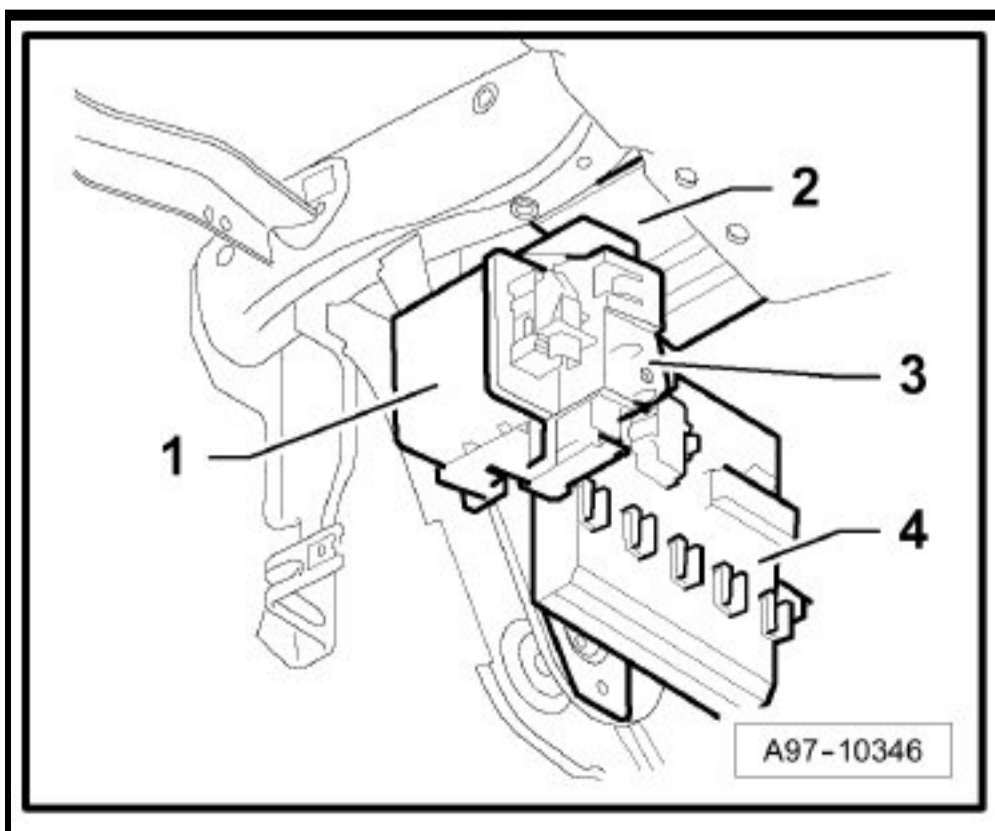
Vehicle Electrical System Control Module -J519-

Control Modules

Vehicle Electrical System Control Module -J519-

Component Location

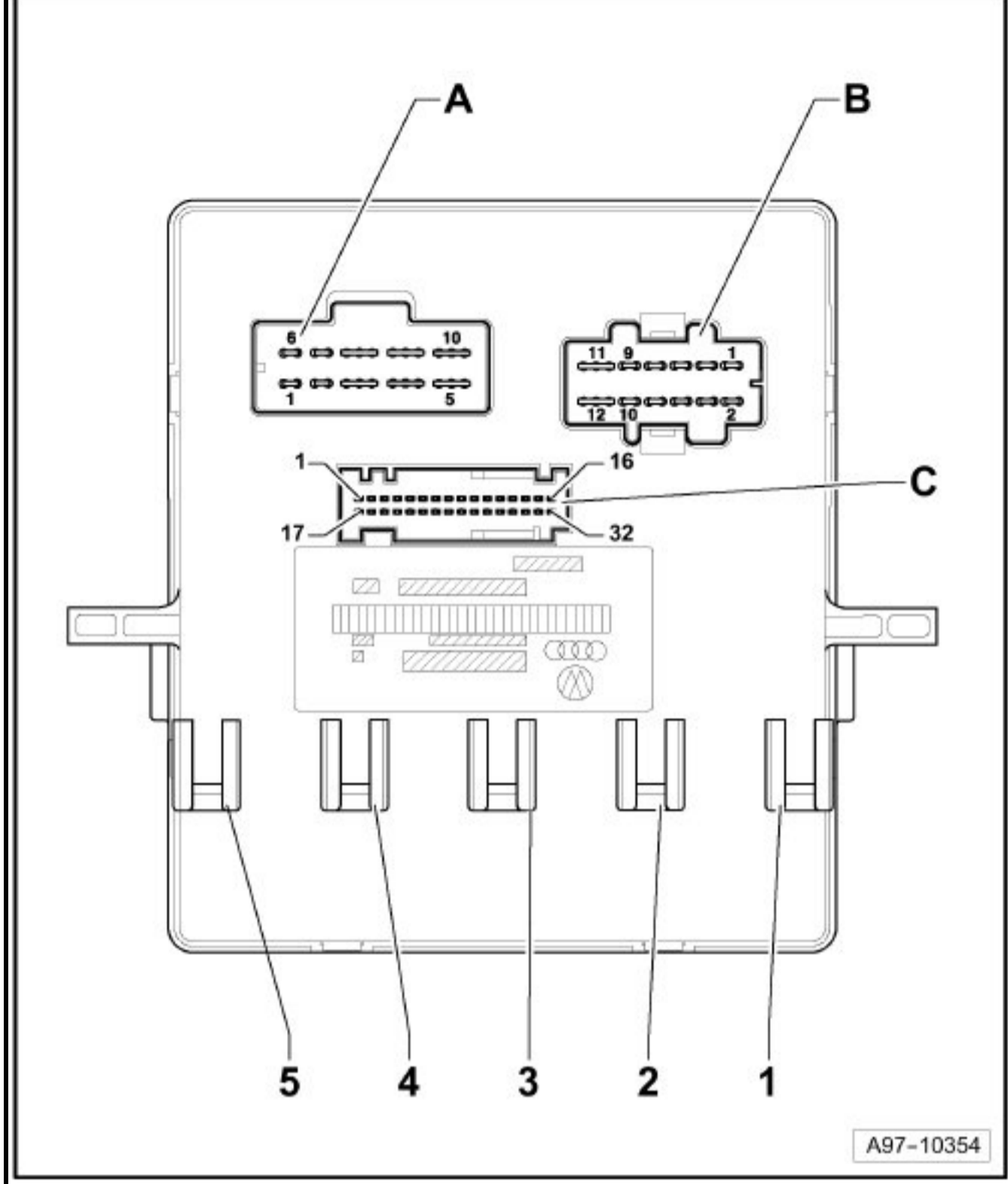
Behind driver's stowage compartment -4-.



Zoom

Sized for Print

Pin Connectors



Zoom Sized for Print

- A - 10-Pin Connector -T10a- , black
- B - 12-Pin Connector -T12b- , black
- C - 32-Pin Connector -T32b- , grey

Back to overview => [Overview of Control Modules] [See: Locations\Overview Of Control Modules.](#)