

Account

Vehicle

Help

Search

Contact

AutoZone Community

Exit

Your Vehicle: 2010 Audi Q7 Quattro (4LB) V6-3.0L DSL Turbo (CATA)



SAVE \$25
instantly on 4 tires!

tirebuyer.com

SAVE NOW >

SAVE \$25
instantly on 4 tires!

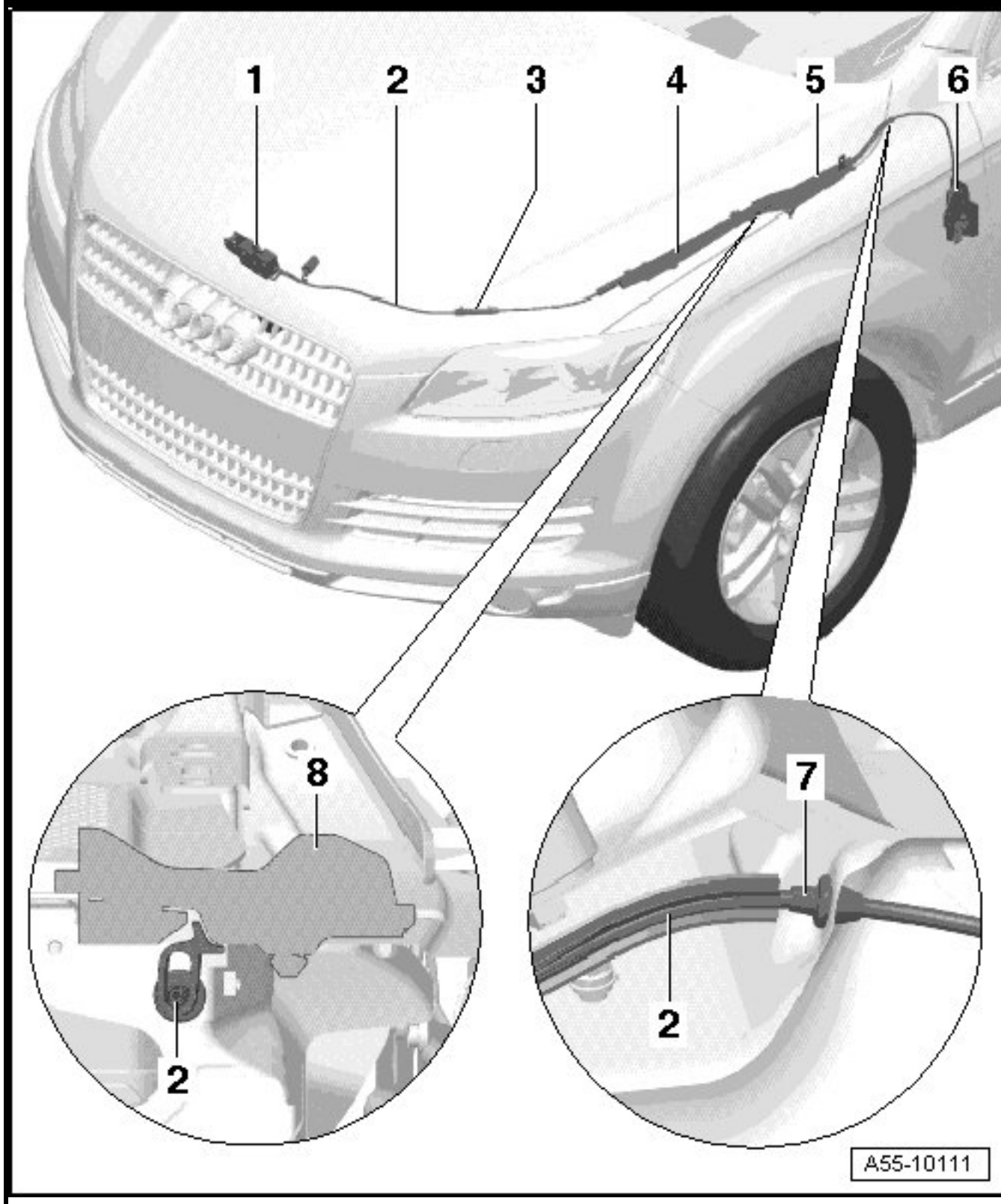
tirebuyer.com

SAVE NOW >

[Vehicle](#) » [Body and Frame](#) » [Doors, Hood and Trunk](#) » [Hood Latch Release Cable](#) » [Service and Repair](#) » [Hood Cable Overview](#)

Hood Cable Overview

Hood Cable Overview



Zoom

Sized for Print

1 Lower Part Of Hood Lock

- ⌘ Removing and installing, refer to => [Lower Part Of Hood Lock, Removing] [See: Hood\Service and Repair\Hood.](#)
- ⌘ Can be used to adjust height of [hood](#).

2 Cable

- ⌘ For removal, disengaged from operating lever on lower A-pillar.
- ⌘ Before pulling old cable into engine compartment, secure a string on the end to help draw in new cable.
- ⌘ This string is secured on end of new cable and then pulled into vehicle interior.

3 Coupling

4 Cable Guide

5 Cable Cover

6 Cable Operating Lever

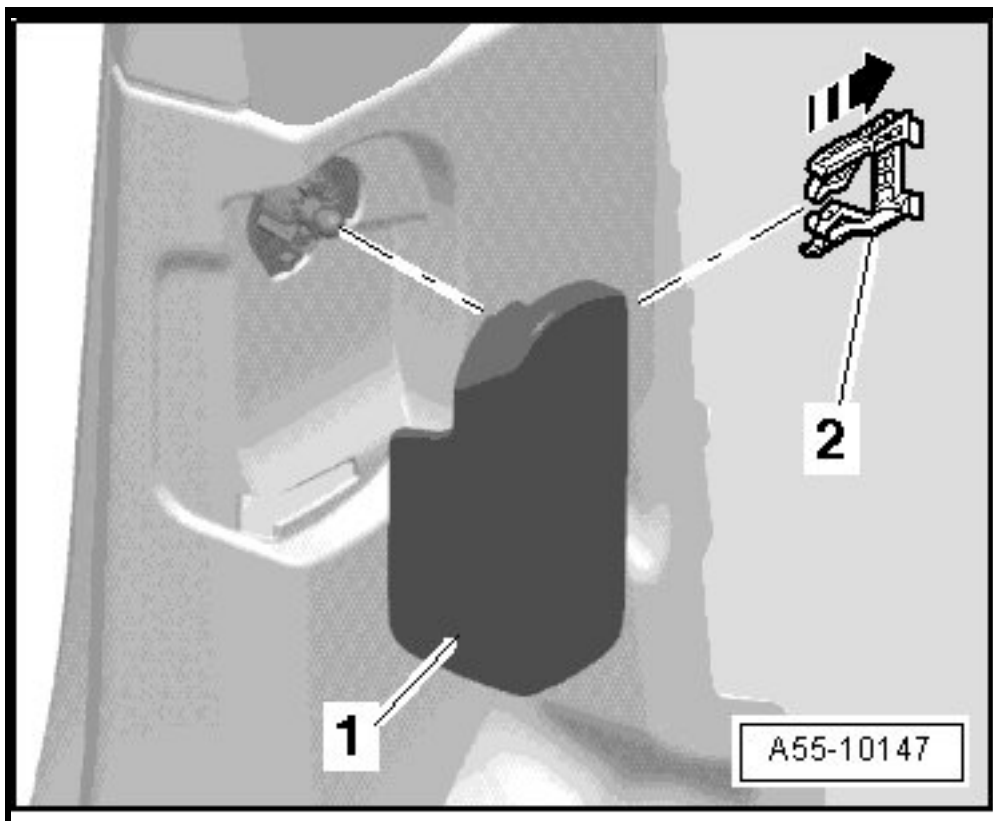
7 Grommet

- ⊠ When installing, ensure grommet is seated properly.

8 Fender Seal

- ⊠ Bonded.

Operating Lever Handle, Removing

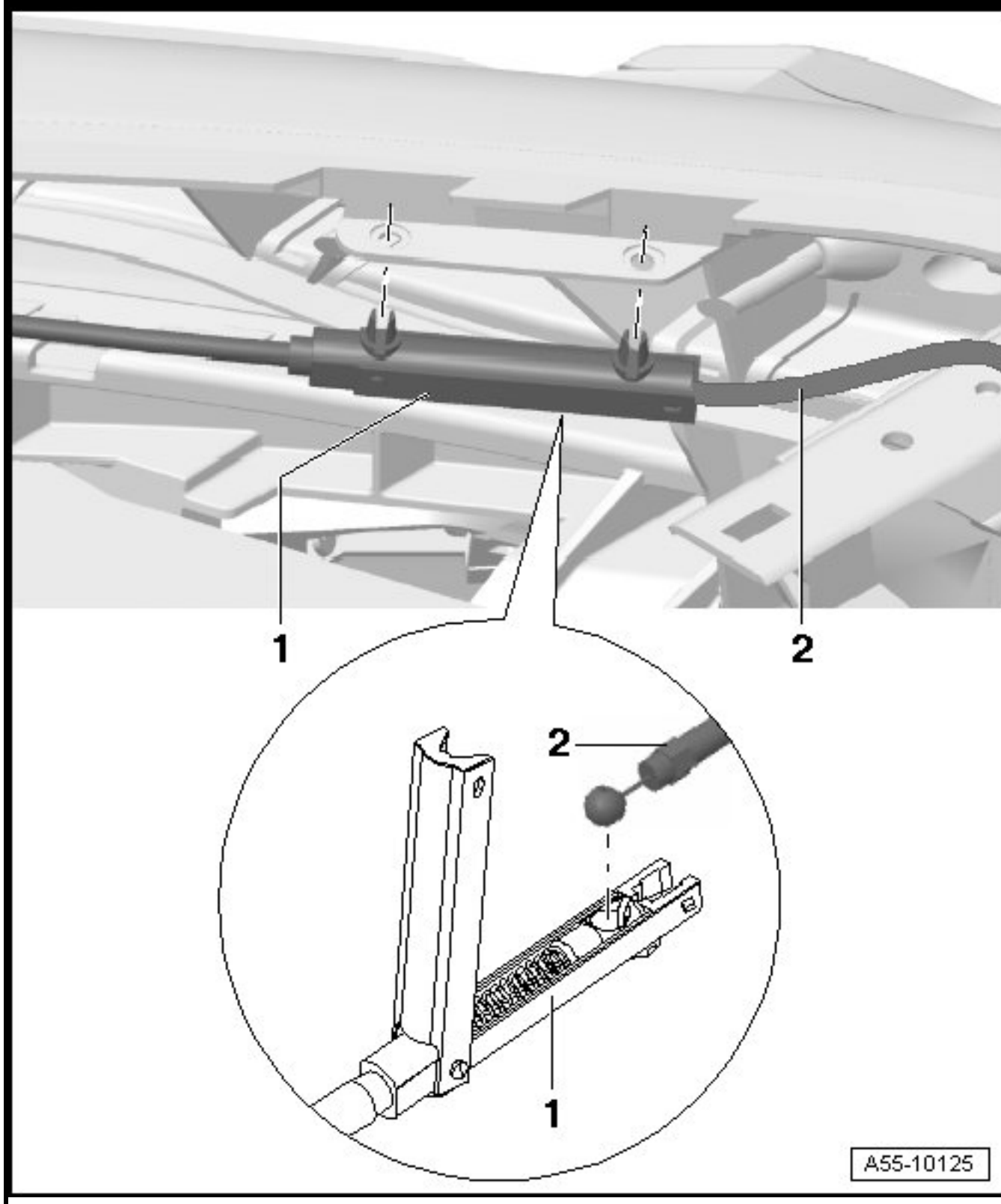


Zoom

Sized for Print

- Remove clamp - 2 - in direction of arrow from handle - 1 -.
- Remove handle sideways.
- After handle was connection, clamps must be pressed again to assemble correctly.

Cable Coupling



Zoom

Sized for Print

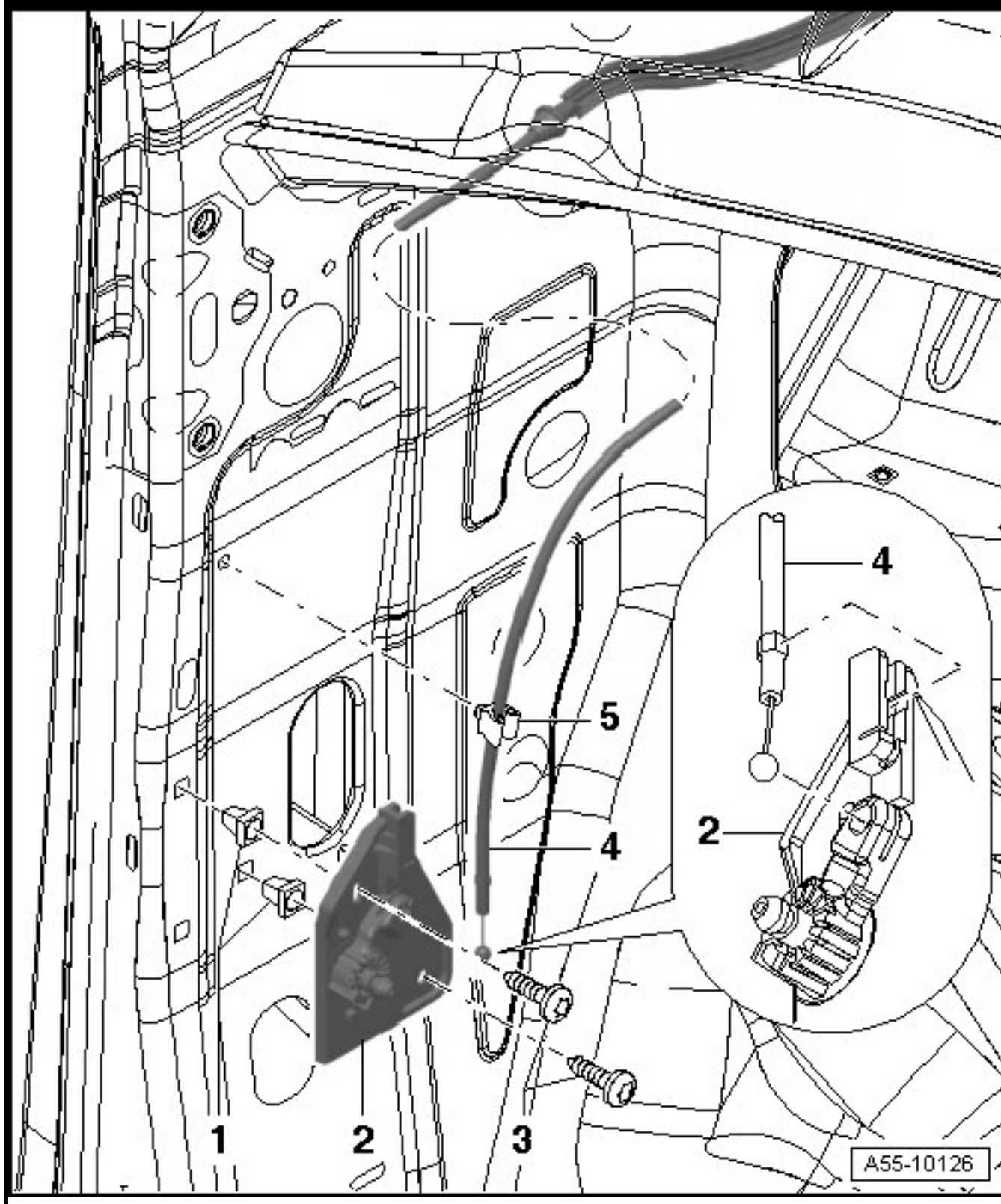
1 Cable Coupling

- α Body side.
- α Clip into lock carrier from below as shown.

2 Cable

- α To hood lock.
- α First engage cable in hood lock, then in coupling.

Cable, Engaging In Operating Lever



Zoom

Sized for Print

1 Clip

- ✘ Inserted in lower -A-pillar

2 Hood Release Lever

3 Bolt

- ✘ 2 Nm

4 Release Cable

- ✘ Before pulling old cable into engine compartment, secure a string on the end to help draw in new cable.
- ✘ This string is secured on end of new cable and then pulled into vehicle interior.

✘

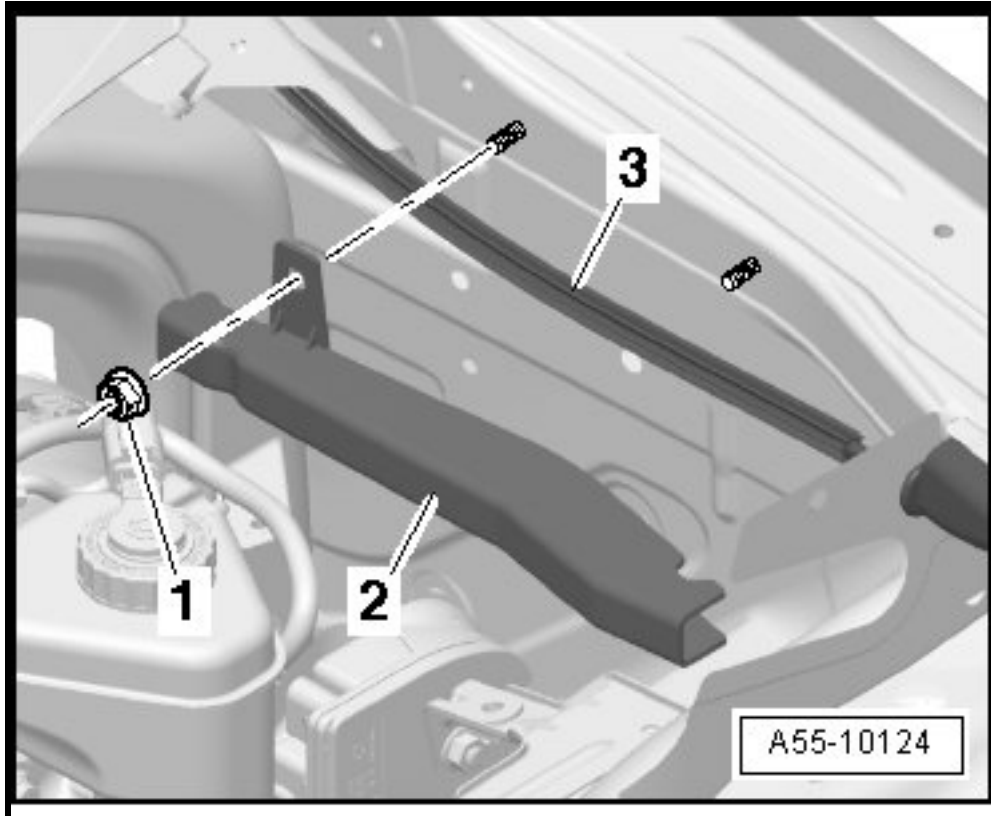
Ball from release engaged as shown in magnified area of illustration.

5 Clip

- Clip in release.

Cable Cover

- Cable cover clipped in at front secured at back with hex nut at 2.5 Nm.

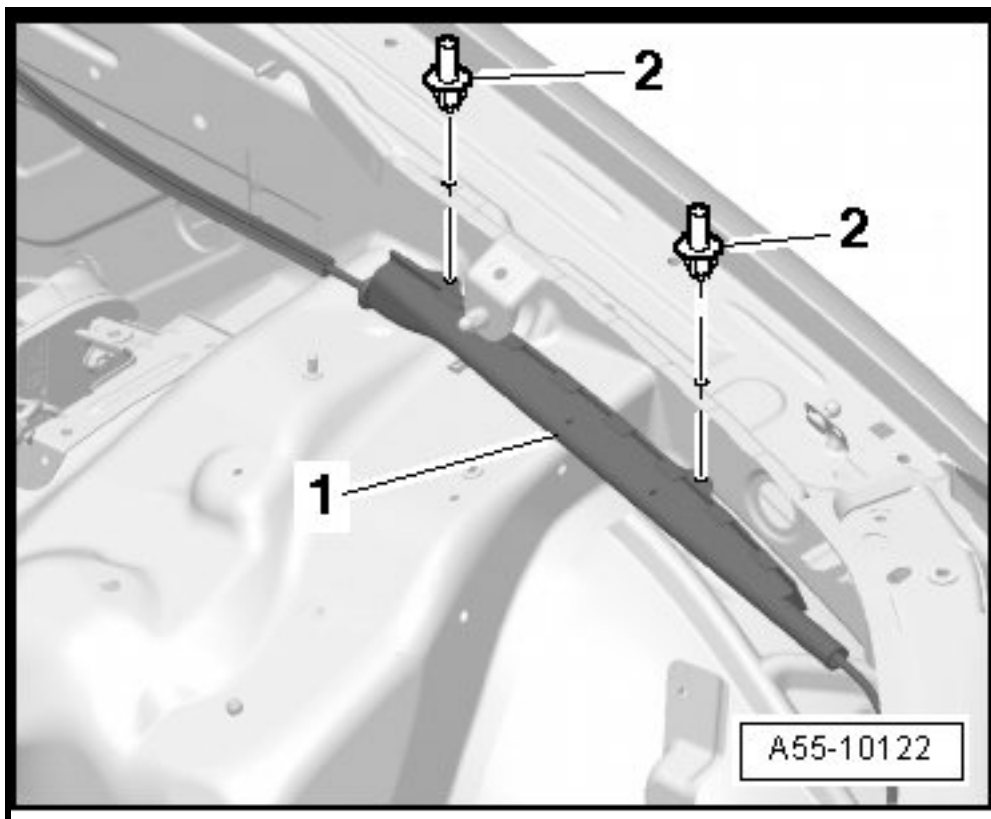


Zoom

Sized for Print

Cable Guide

- Guide - 1 - in part of cable shipment.

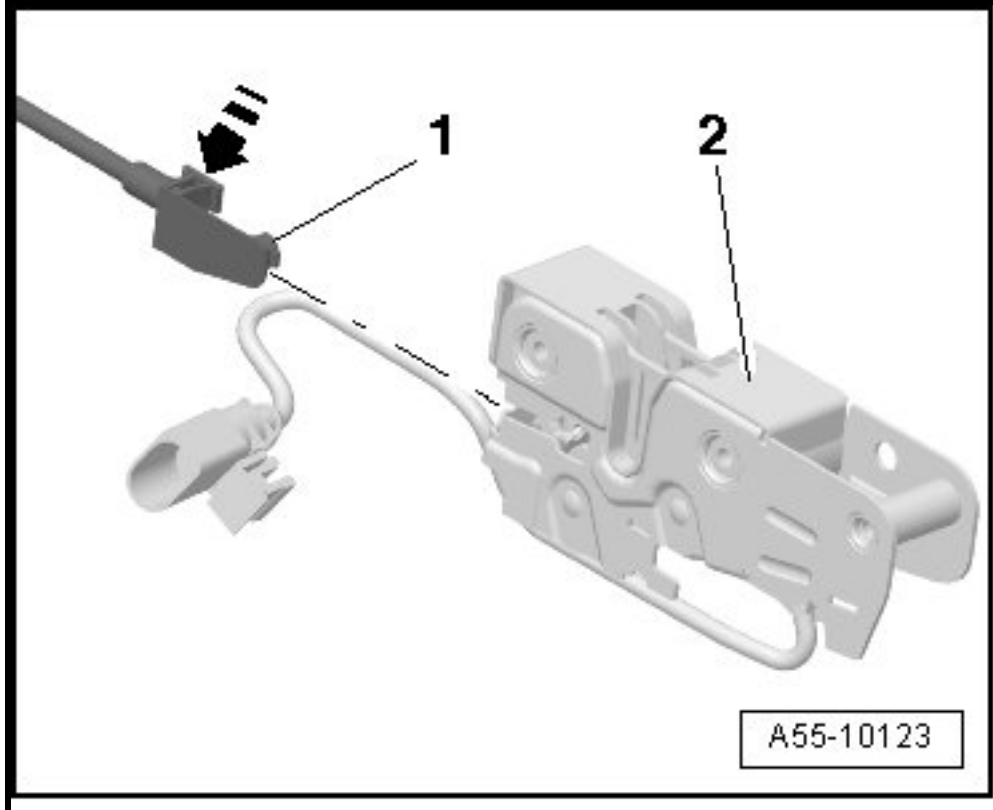


Zoom

Sized for Print

- Insert guide congruently with holes in fender and secure with spreader clips - 2 -.

Attach The Control Cable In The Lid Lock



Zoom

Sized for Print

- Ensure cable ball - **1** - engages in ball socket when cable - **arrow** - is engaged in lock - **2** -.

[Account](#) | [Vehicle](#) | [Help](#) | [Contact](#) | [AutoZone Community](#) | [Exit](#)

© 2016 ALLDATA, LLC. All Rights Reserved. [Trademarks](#) | [Privacy Policy](#) | [Terms and Conditions](#)