

Overview - Radiator Grille

1 - Cover

- For the front camera

2 - Emblem

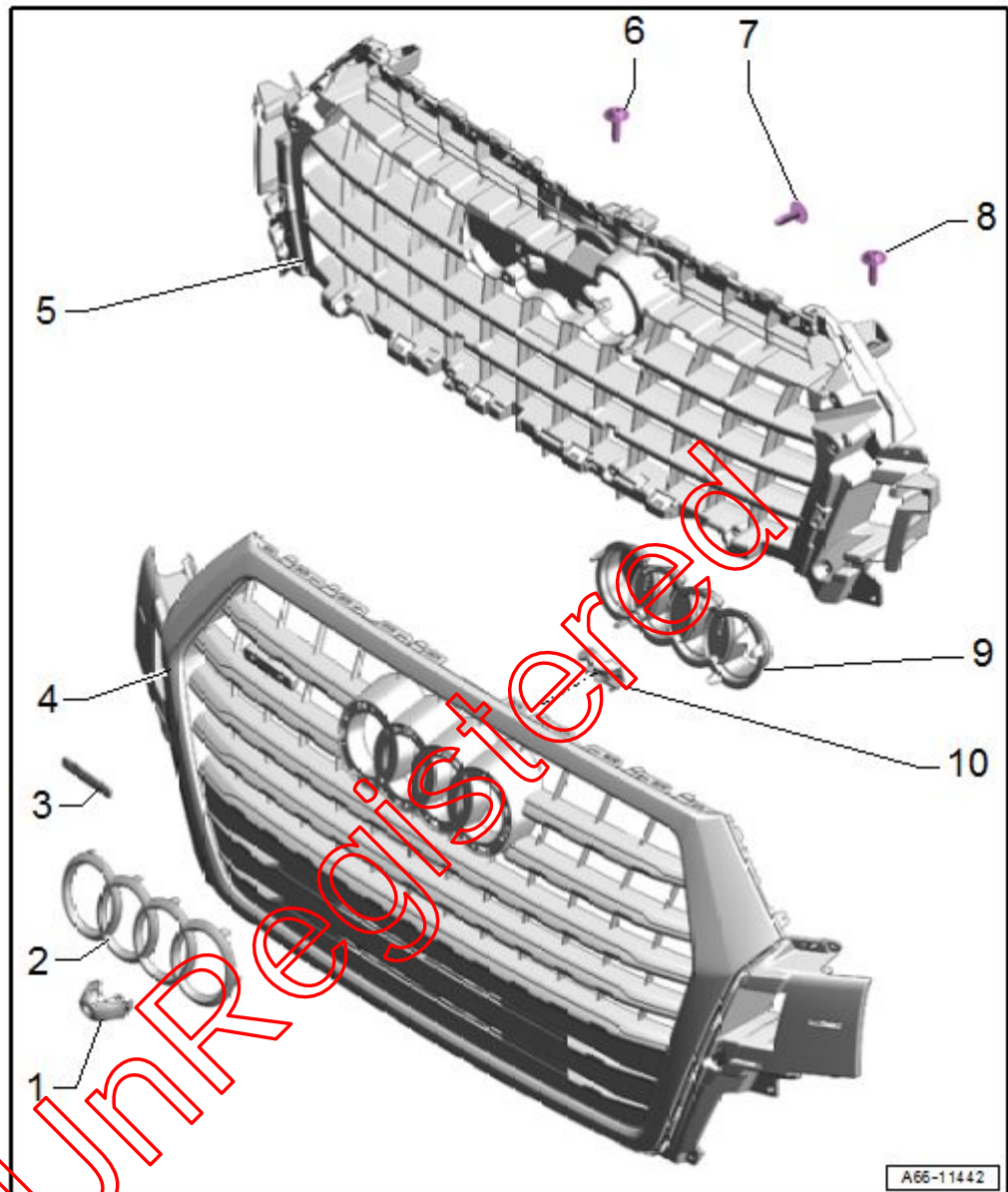
- Overview. Refer to → Chapter „Overview - Name Badges and Emblems“.

3 - quattro Name Badge

- Overview. Refer to → Chapter „Overview - Name Badges and Emblems“.

4 - Radiator Grille

- Removing and Installing. Refer to → Chapter „Radiator Grille, Removing and Installing“.



5 - Reinforcement Brace

- For the radiator grille
- Removing and Installing. Refer to → Chapter „Reinforcement Brace, Removing and Installing“.

6 - Bolt

- 3 Nm

7 - Bolt

- 1.5 Nm
- Quantity: 18

8 - Bolt

- 3 Nm

9 - Cover

- For the emblem
- There are different versions. Refer to the Parts Catalog.
- Removing and Installing. Refer to → [Chapter „Radiator Grille Name Badges and Emblems, Removing and Installing“](#).

10 - Mount

- For the front camera
- Removing and Installing. Refer to → [Communication; Rep. Gr.91; Peripheral Camera; Component Location Overview - Peripheral Camera](#).

UnRegistered