

Bumper Cover, Removing and Installing

- To complete the procedure, a second technician is required to be at the following position → **Anchor**.
- Depending on the equipment version, the following additional work must be performed. Refer to → **Anchor**.

Special tools and workshop equipment required

- ♦ Hose Clamps - Up To 25 mm -3094-
- ♦ Engine Bung Set -VAS6122-

Removing

- Detach the front section of the front wheel housing liner near the bumper. Refer to → **Chapter „Front Wheel Housing Liner, Removing and Installing, Front Section“**.

- Place a drip tray under the separating point for the washer fluid hose.

- Clamp off the washer fluid hose -3- with the -3094-.

- Push the release button -arrows- and disconnect the washer fluid hose for the headlamp washer system.

- Seal off the hose coupling with clean plugs from the -VAS6122-.

- Free up the washer fluid hose bracket -2-.

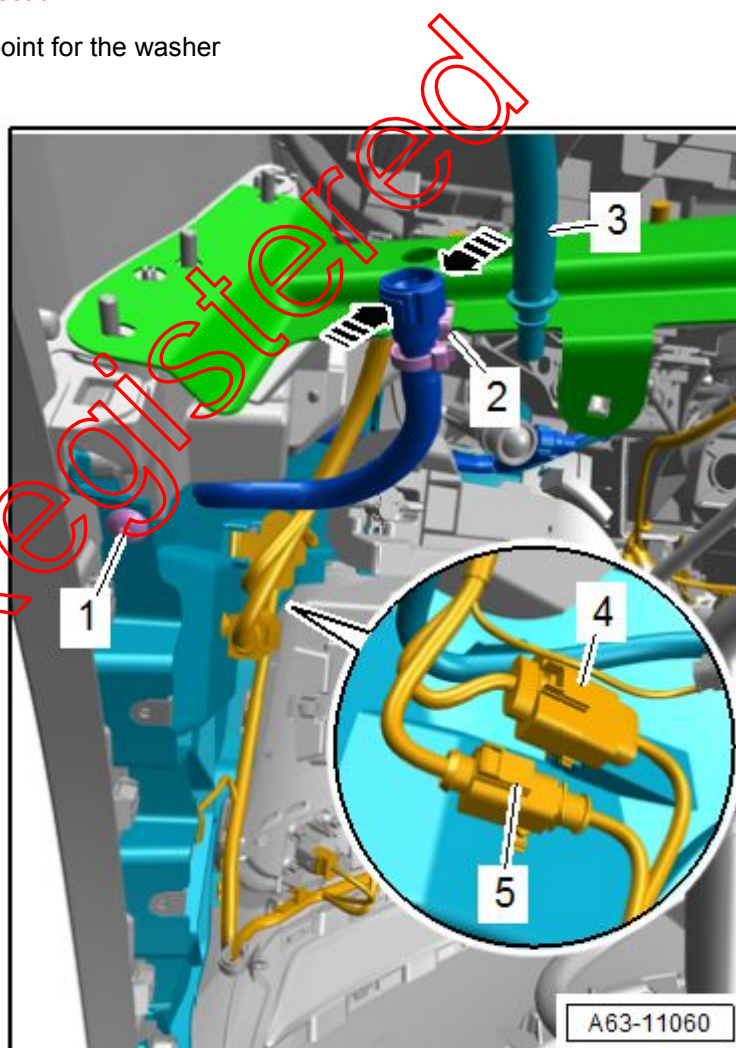
- Disconnect the connectors -4 and 5-.

- Remove the bolt -1- for the bumper side section.

- Loosen the front wheel cover in the area of the bumper side section. Refer to → **Chapter „Wheel Cover, Removing and Installing, Front “**.

- Remove the front noise insulation. Refer to → **Chapter „Noise Insulation, Removing and Installing“**.

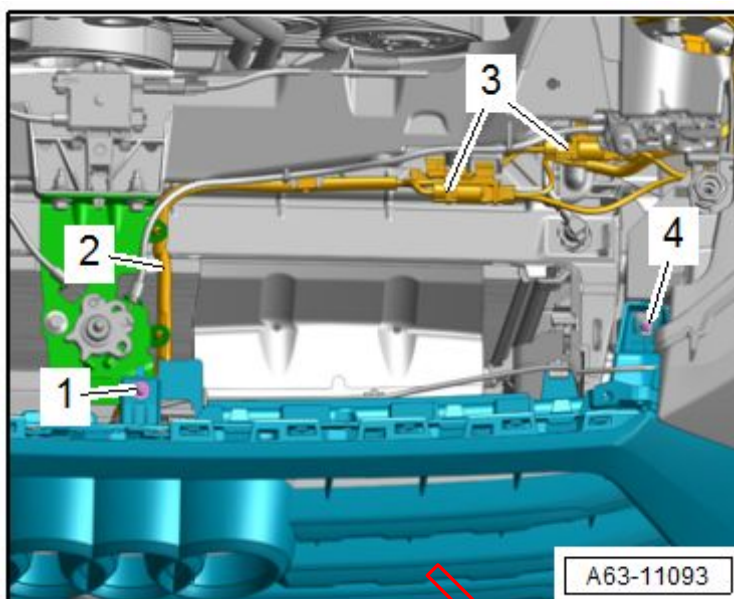
- Remove the lock carrier cover. Refer to → **Chapter „Lock Carrier Cover, Removing and Installing“**.



- If equipped, free up and disconnect the antenna wires -3-.

- Free up the wiring harness -2-.

- Remove the bolts -1 and 4-.



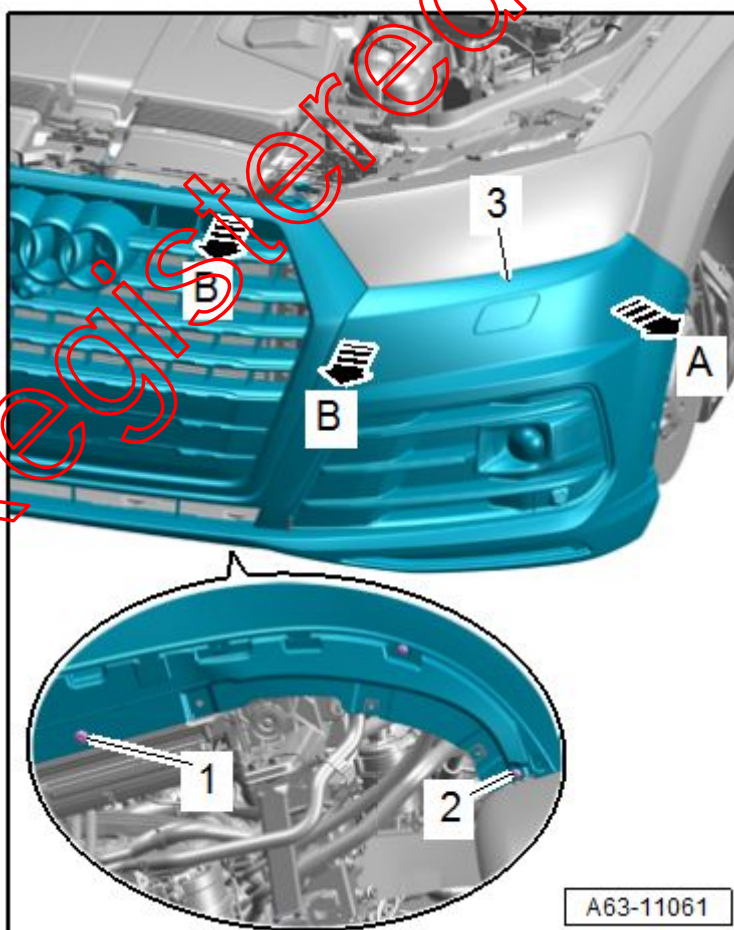
- Remove the bolts -1 and 2-.
- Disengage the side section -3- from the front side panel -arrow A- and remove the bumper cover toward the front with the help of a second technician -B arrows-.

Installing

Install in reverse order of removal and note the following:

Depending on the version, the following additional work is required:

- Adjust the adaptive cruise control (ACC). Refer to → [Suspension, Wheels, Steering; Rep. Gr.44; Adaptive Cruise Control \(ACC\)](#).
- Calibrate the night vision system camera. Refer to → [Suspension, Wheels, Steering; Rep. Gr.44; Night Vision System; Night Vision System, Calibrating](#).
- Calibrate the Front Peripheral Camera -R243-. Refer to → [Communication; Rep. Gr.91; Peripheral Camera](#).



Tightening Specifications

- ♦ Refer to → [Chapter „Overview - Bumper Cover“](#)