

Door Cover, Removing and Installing, Front



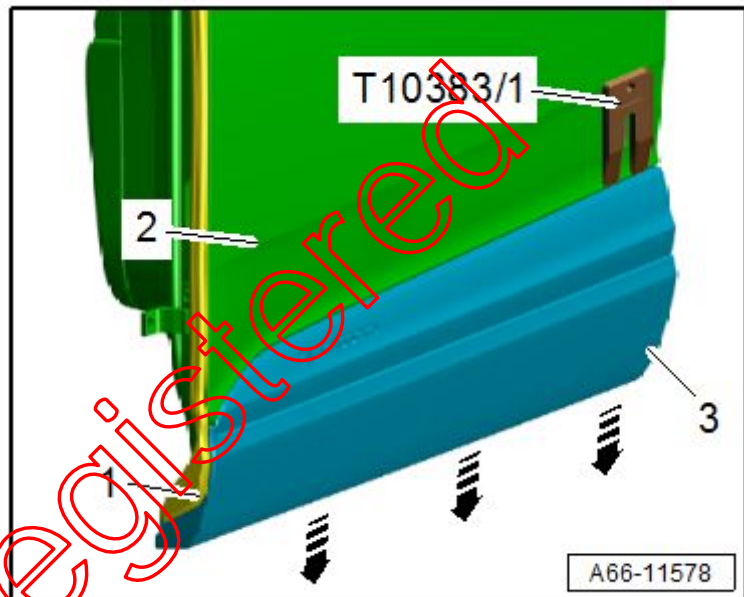
Caution

This procedure contains mandatory replaceable parts. Refer to component overview prior to starting procedure. Refer to → [Anchor](#)

Special tools and equipment. Refer to → [Chapter „Cover, Removing and Installing“](#).

Removing

- Open the door.
- Loosen the lower seam seal -1- from the bonding to the door cover -3-.
- Carefully warm the door cover using the -VAG1416- and pry using the -T10383/1- from the door -2- and disengage downward -arrows-.



Installing

Install in reverse order of removal and note the following:

- The vehicle and the cover must be at room temperature.
- The adhesive surfaces must be free of dirt and grease.
- If the Bonding Agent -D 355 205 A2- dries longer than 3 hours, then it must be primed again.

Installation preparation for reinstalling painted covers:

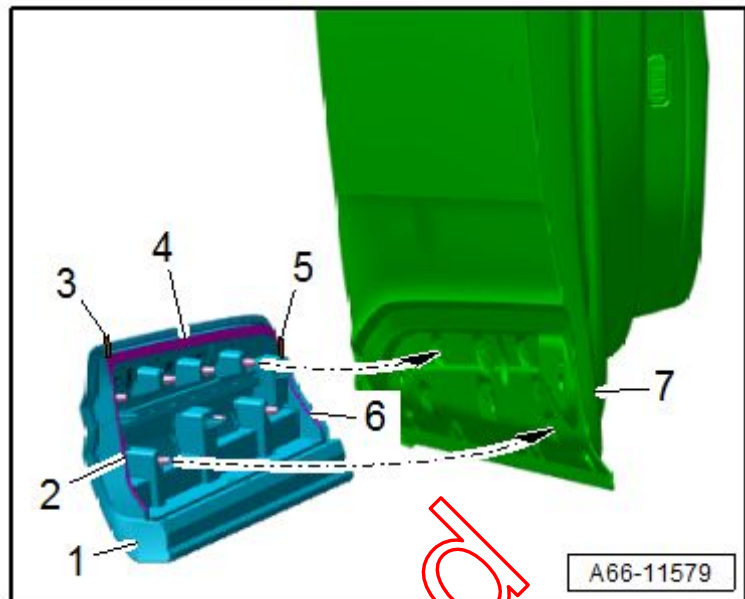
- Remove the adhesive residue completely from the cover.
- Clean the adhesive surface on the plastic side using the Cleaning Solution -D 009 401 04-.
- Apply the Plastic Primer -D 366 PR A1- to the adhesive surface on the cover and let it dry.
- Apply double-sided tape to the same location on the cover. Refer to Parts Catalog

Continuation:

- Clean the adhesive surface on the paint side using the Cleaning Solution -D 009 401 04-.
- Apply Bonding Agent -D 355 205 A2- to the adhesive surface on the paint

side using the Applicator -D 009 500 25- and let it dry.

- Fold back the ends of the protective film, or attach the pulling aids -3 and 5 - to the protective film.
- Remove the protective film on the pulling aids from the adhesive tape -2, 4 and 6-.
- Engage the door cover -1- on the bottom of the door -7- and align via the locating pin.
- Press the door cover on until it audibly engages.
- Press on the door cover in the area of the adhesive surface with the -3356-.
- Vehicle resting time is at least one hour at room temperature.
- It is durable after at least 24 hours.
- Install the seam seal. Refer to → Chapter „Seam Seal, Removing and Installing“.



UnRegistered