

## Door Cover, Removing and Installing, Rear



### Caution

**This procedure contains mandatory replaceable parts. Refer to component overview prior to starting procedure. Refer to → Anchor**

**Special tools and equipment. Refer to → Chapter „Cover, Removing and Installing“.**

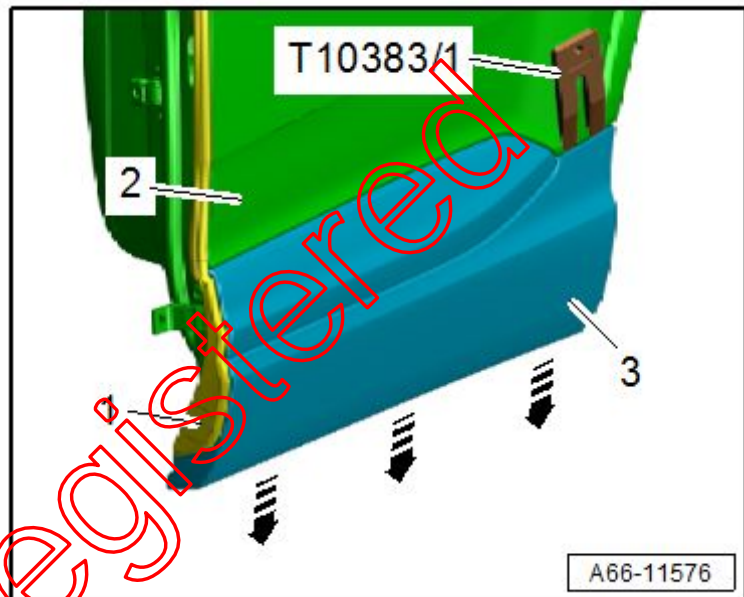
### Removing

- Open the door.
- Remove the seam seal -1- from the door cover -3-.
- Carefully warm the door cover using the -VAG1416- and pry using the -T10383/1- from the door -2- and disengage downward -arrows-.

### Installing

Install in reverse order of removal and note the following:

- The vehicle and the cover must be at room temperature.
- The adhesive surfaces must be free of dirt and grease.
- If the Bonding Agent -D 355 205 A2- dries longer than 3 hours, then it must be primed again.



### Installation Preparation for Reinstalling Painted Covers:

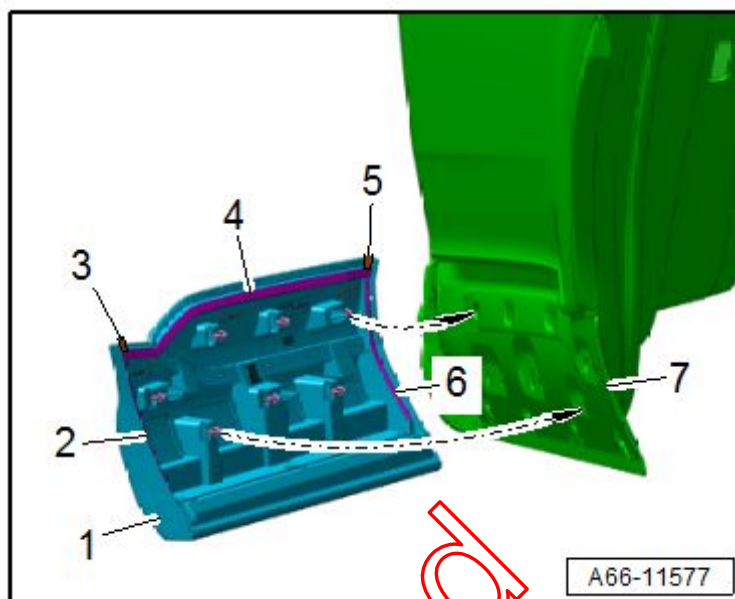
- Remove the adhesive residue completely from the cover.
- Clean the adhesive surface on the plastic side using the Cleaning Solution -D 009 401 04-.
- Apply the Plastic Primer -D 366 PR A1- to the adhesive surface on the cover and let it dry.
- Apply double-sided tape to the same location on the cover. Refer to Parts Catalog

### Continuation:

- Clean the adhesive surface on the paint side using the Cleaning Solution -D 009 401 04-.
- Apply Bonding Agent -D 355 205 A2- to the adhesive surface on the paint

side using the Applicator -D 009 500 25- and let it dry.

- Fold back the end of the protective film, or attach the pulling aids -3 and 5 - to the protective film.
- Remove the protective film on the pulling aids from the adhesive tape -2, 4 and 6-.
- Engage the door cover -1- on the bottom of the door -7- and align via the locating pin.
- Press the door cover on until it audibly engages.
- Press on the door cover in the area of the adhesive surface with the -3356-.
- Vehicle resting time is at least one hour at room temperature.
- It is durable after at least 24 hours.



UnRegistered