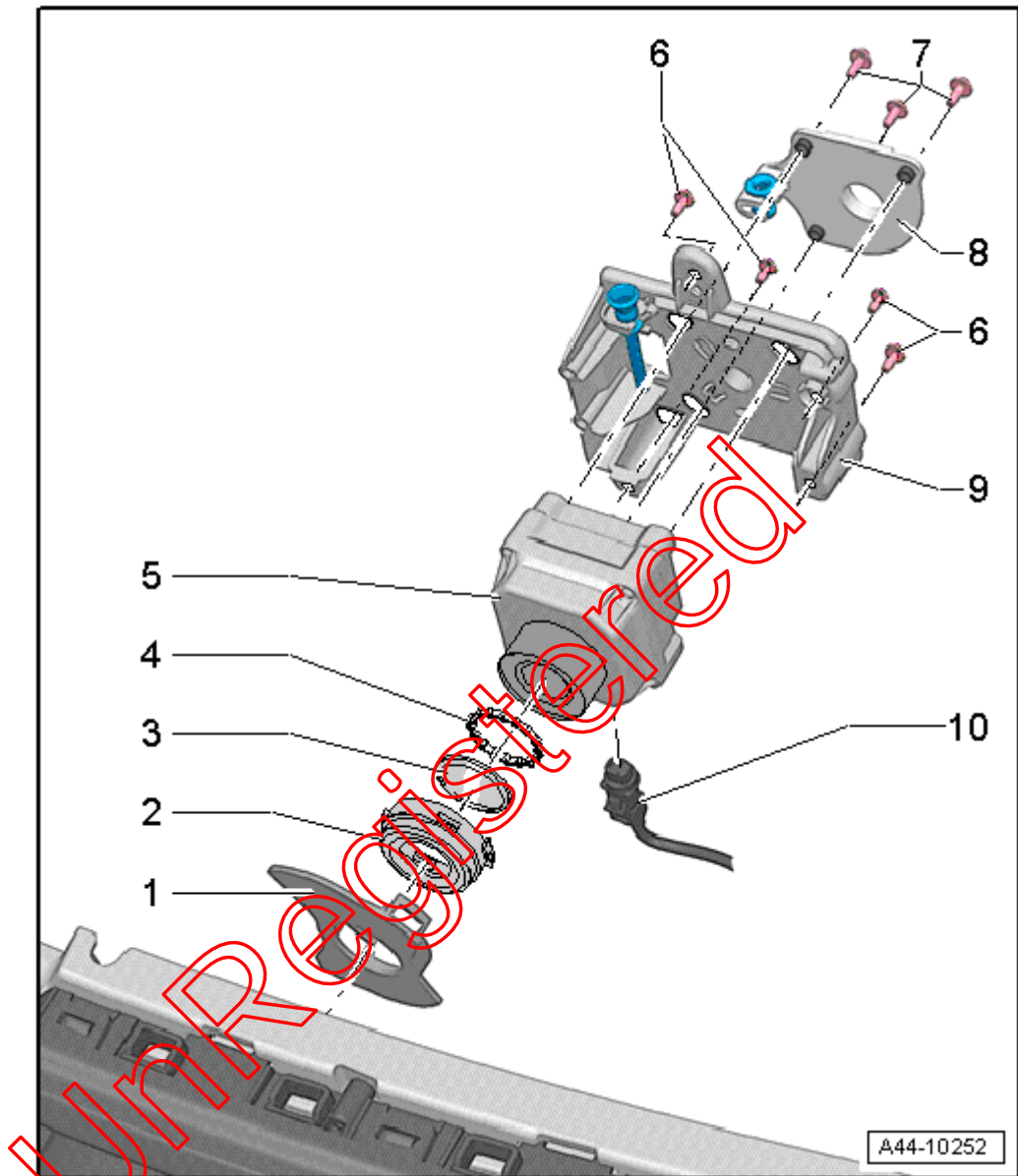


Overview - Night Vision System Camera -R212-

- 1 - Trim
- 2 - Cover
 - With quick release
- 3 - Protective Window



- Removing and installing. Refer to → Anchor.



Note

If the protective window is no longer water tight due to damage, then the Night Vision System Camera -R212- must be completely replaced.

- 4 - Seal
 - Replace after every removal
- 5 - Night Vision System Camera -R212-
- 6 - Bolt
 - 6 Nm
 - Quantity: 4
- 7 - Bolt
 - 5 Nm

- Quantity: 3

8 - Baseplate

9 - Baseplate

- With adjusting screw and mount for the spray nozzle

10 - 5-Pin Connector -T5C-, Black

UnRegistered