

Night Vision System Camera, Removing and Installing

Special tools and workshop equipment required

- ◆ Torque Wrench 1783 - 2-10Nm -VAG1783-



Caution

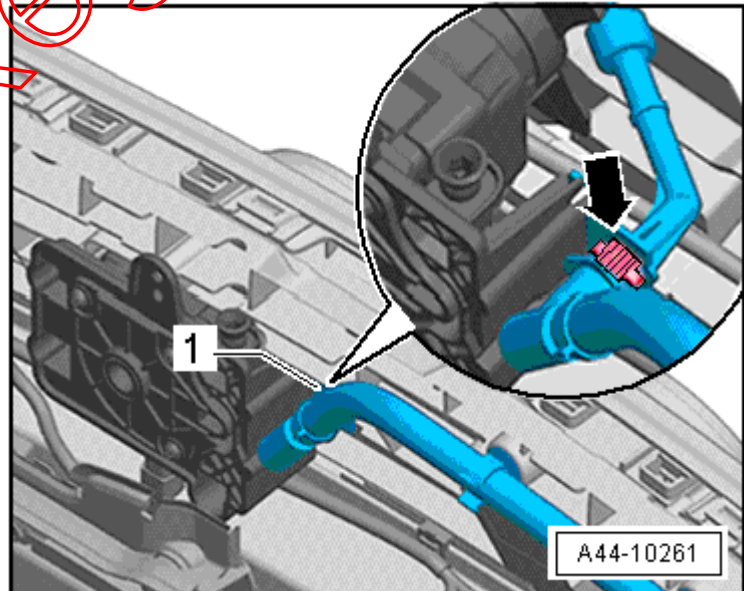
This procedure contains mandatory replaceable parts. Refer to component overview prior to starting procedure.

Mandatory Replacement Parts

- ◆ Seal - Night Vision System Camera

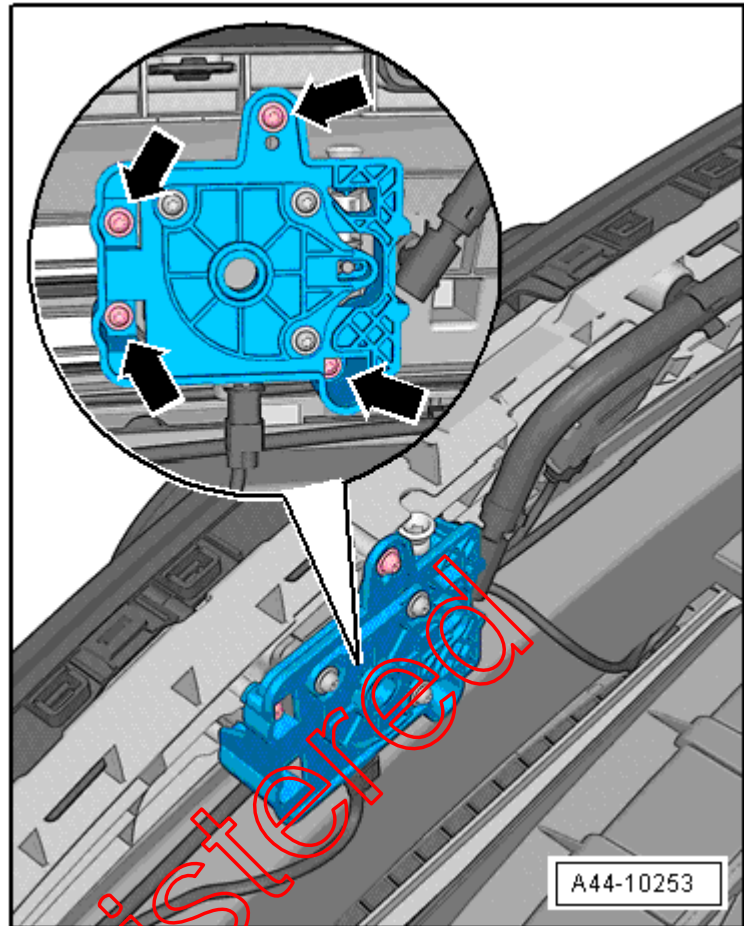
Removing

- Turn off the ignition and all electrical equipment and remove the ignition key.
- Remove the lock carrier cover. Refer to → [Body Exterior; Rep. Gr.63; Front Bumper; Overview - Bumper Cover](#).
- Remove the mounting bracket with the release cable for the operating lever hook and move it to the side. Refer to → [Body Exterior; Rep. Gr.55; Hood; Overview - Release Cable](#).
- Remove the upper air guide. Refer to → [Rep. Gr.19; Radiator/Radiator Fan; Overview - Radiator/Radiator Fan](#).
- Release the clamp -arrow-, and remove the washer fluid hose -1-.
- If necessary seal the washer fluid hose.



- Remove the bolts -arrows-.
- Remove the Night Vision System Camera -R212- with the retaining plate from the front bumper cover and guide upward. Pay attention that the spray nozzle is not damaged.

- Release and disconnect the connector to the Night Vision System Camera -R212-.



- Remove the bolts -arrows- and remove the Night Vision System Camera -R212- from the retaining plate.

Protective Window, Removing

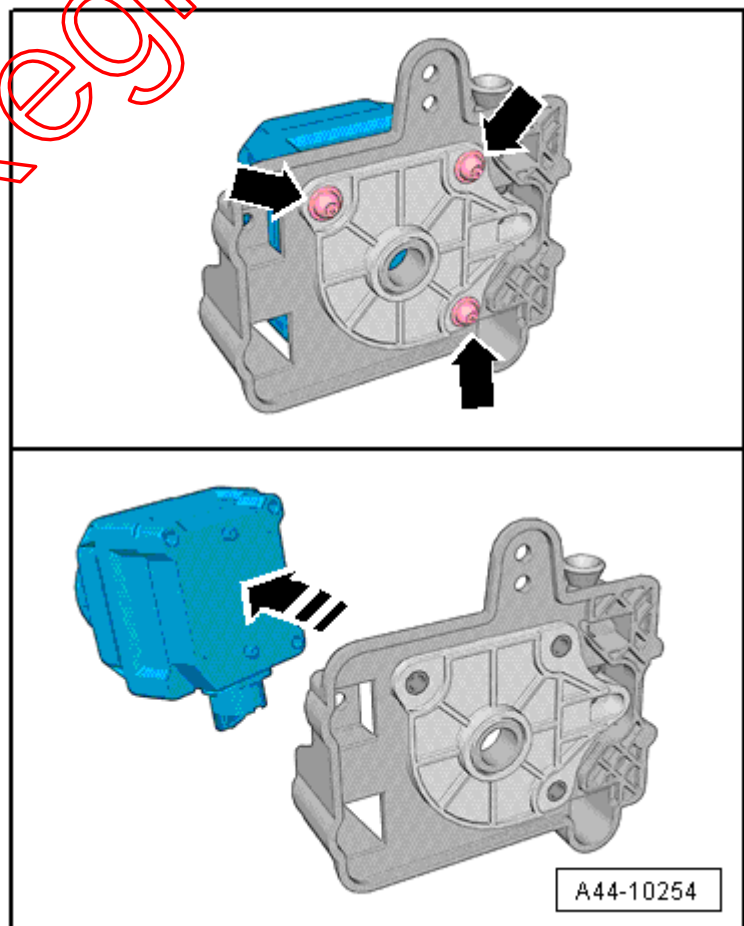
- The Night Vision System Camera -R212- is removed



Note

If the protective window is no longer water tight due to damage, then the Night Vision System Camera -R212- must be completely replaced. Refer to → Chapter „Night Vision System Camera, Removing and Installing“.

- Remove the trim -item 1- → Item.



- Push the retaining tabs -arrows- together and turn the cover approximately 90° counter-clockwise.
- Remove the cover, protective window and seal from the Night Vision System Camera -R212-.

**Note**

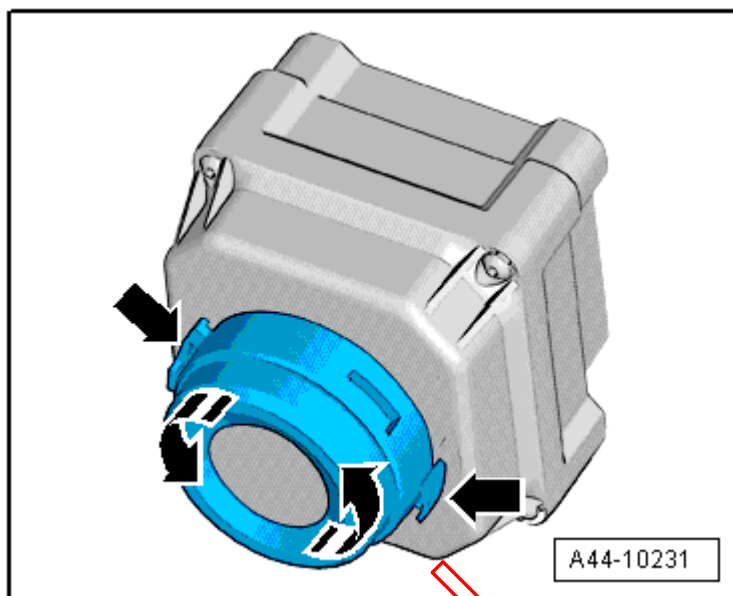
Depending on the removal the seal may be replaced.

Installing

- Install in reverse order of removal. Note the following:
- Calibrate the night vision system camera. Refer to → [Suspension, Wheels, Steering; Rep. Gr.44; Night Vision System; Night Vision System, Calibrating.](#)

Tightening Specifications

- ◆ Refer to → [Chapter „Overview - Night Vision System Camera -R212-“](#)



UnRegistered