

Audi Q7

Component Locations

No. 805 / 1

Edition 10.2015

Control modules vehicle cabin

Overview of control modules, vehicle cabin

1 - Heated Windshield Control Module -J505-

- Component Location → [Chapter](#)
- Pin Arrangements → [Anchor](#)

2 - Fresh Air Blower Control Module -J126-

- Component Location → [Chapter](#)
- Pin Arrangements → [Anchor](#)

3 - Chip Card Reader Control Module -J676-

- Component Location → [Chapter](#)
- Pin Arrangements → [Anchor](#)

4 - Control Module for Information Electronics 1 -J794-

- Component Location → [Chapter](#)
- Pin Arrangements → [Anchor](#)

5 - Automatic High Beam Assist Control Module -J844-

- Component Location → [Chapter](#)
- Pin Arrangements → [Anchor](#)

6 - Driver assistance systems front camera -R242-

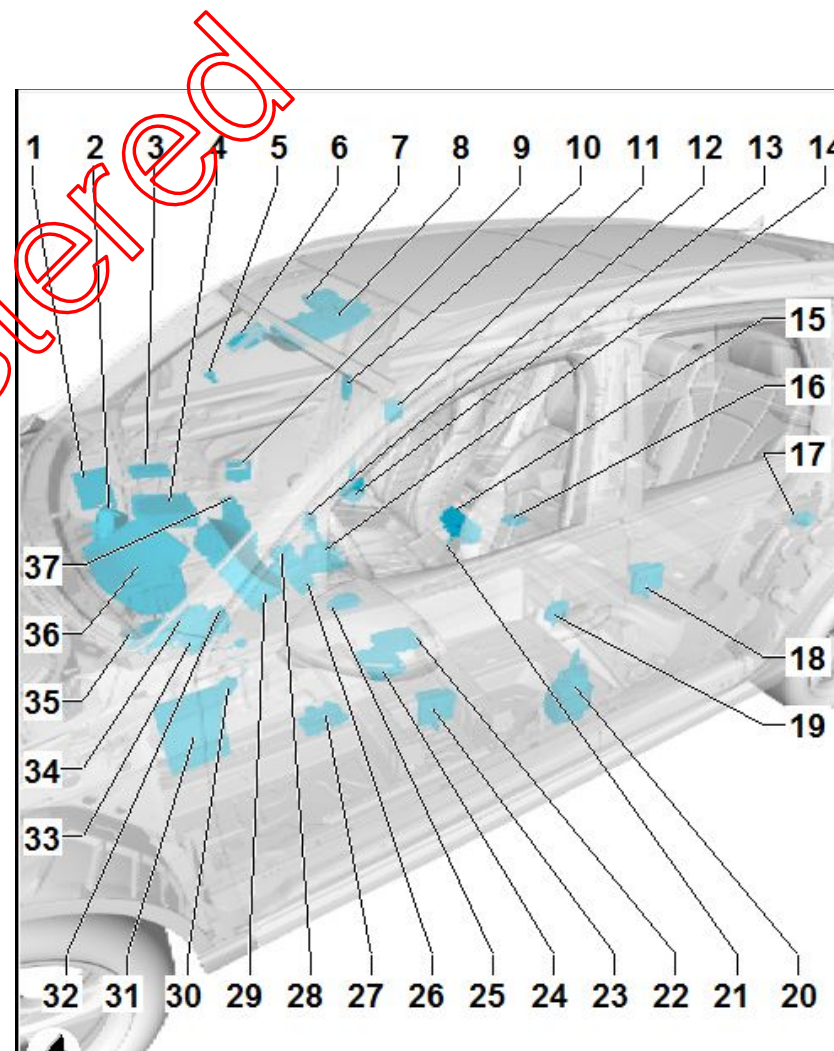
- Component Location → [Chapter](#)
- Pin Arrangements → [Anchor](#)

7 - Power Sunroof Control Module -J245-

- Component Location → [Chapter](#)
- Pin Arrangements → [Anchor](#)

8 - Roof Electronics Control Module -J528-

- Component Location → [Chapter](#)



- Pin Arrangements
→ [Anchor](#)

9 - Front Passenger's Door Control Module -J387-

- Component Location → [Chapter](#)
- Pin Arrangements → [Anchor](#)

10 - Rear passenger side ioniser -J1108-

- Component Location → [Chapter](#)
- Pin Arrangements → [Anchor](#)

11 - Rear Front Passenger's Door Control Module -J927-

- Component Location → [Chapter](#)
- Pin Arrangements → [Anchor](#)

12 - Multi-function Steering Wheel Control Module -J453-

- Component Location → [Chapter](#)
- Pin Arrangements → [Anchor](#)

13 - Right Front Seat Belt Tensioner Control Module -J855-

- Component Location → [Chapter](#)
- Pin Arrangements → [Anchor](#)

14 - Selector Lever Sensor Control Module -J587-

- Component Location → [Chapter](#)
- Pin Arrangements → [Anchor](#)

15 - Rear A/C Control Head (Climatronic) -E265-

- Component Location KH5 → [Chapter](#)
- Pin Arrangements A/C KH5 → [Anchor](#)
- Component Location 9AH → [Chapter](#)
- Pin Arrangements A/C 9AH → [Anchor](#)

16 - Fuel Pump (FP) Control Module -J538-

- Component Location → [Chapter](#)
- Pin Arrangements → [Anchor](#)

17 - Seat Heating Control Module -J882-

- Component Location → [Chapter](#)
- Pin Arrangements → [Anchor](#)

Unregistered

18 - Rear Door Control Module, Driver's Side -J926-

- ❑ Component Location → [Chapter](#)
- ❑ Pin Arrangements → [Anchor](#)

19 - Rear information display control head control module -J648- /-J649-

- ❑ Left rear information display control head control module -J648-
- ❑ Right rear information display control head control module -J649-
- ❑ Component Location → [Chapter](#)
- ❑ Pin Arrangements Left rear information display control head control module -J648- → [Anchor](#)
- ❑ Pin Arrangements Right rear information display control head control module -J649- → [Anchor](#)

20 - Left Front Seat Belt Tensioner Control Module -J854-

- ❑ Component Location → [Chapter](#)
- ❑ Pin Arrangements → [Anchor](#)

21 - Fuel Tank Lead Detection Control Module -J909-

- ❑ Component Location → [Chapter](#)
- ❑ Pin Arrangements → [Anchor](#)

22 - Memory Seat/Steering Column Adjustment Control Module -J136- /Passenger Memory Seat Control Module -J521-

- ❑ Component Location → [Chapter](#)
- ❑ Pin Arrangements Memory Seat/Steering Column Adjustment Control Module -J136- → [Anchor](#)
- ❑ Pin Arrangements Passenger Memory Seat Control Module -J521- → [Anchor](#)

23 - Driver's Door Control Module -J386-

- ❑ Component Location → [Chapter](#)
- ❑ Pin Arrangements → [Anchor](#)

24 - Data Bus On Board Diagnostic Interface -J533-

- ❑ Component Location models without Audi connect emergency call & Service (IW0) → [Chapter](#)
- ❑ Component Location with Audi connect emergency call & Service (IW3) → [Chapter](#)
- ❑ Pin arrangements models without Audi connect emergency call & Service (IW0) → [Anchor](#)
- ❑ Pin Arrangements models with Audi connect emergency call& Service (IW3) → [Anchor](#)

25 - Rear Fresh Air Blower Control Module -J391-

- ❑ Component Location → [Chapter](#)
- ❑ Pin Arrangements → [Anchor](#)

26 - Night vision system control module -J853-

- Component Location → [Chapter](#)
- Pin Arrangements → [Anchor](#)

27 - Steering Column Electronic Systems Control Module -J527-

- Component Location → [Chapter](#)
- Pin Arrangements → [Anchor](#)

28 - Battery Monitoring Control Module -J367-

- Component Location → [Chapter](#)
- Pin Arrangements → [Anchor](#)

29 - Instrument Cluster Control Module -J285-

- Component Location → [Chapter](#)
- Pin Arrangements → [Anchor](#)

30 - Driver-side ioniser -J1105-

- Component Location → [Chapter](#)
- Pin Arrangements → [Anchor](#)

31 - Vehicle Electrical System Control Module -J519-

- Component Location → [Chapter](#)
- Pin Arrangements → [Anchor](#)

32 - Drivetrain control module -J775-

- Component Location → [Chapter](#)
- Pin Arrangements → [Anchor](#)

33 - Power Adjustable Steering Column Control Module -J866-

- Component Location → [Chapter](#)
- Pin Arrangements → [Anchor](#)

34 - Electronic Steering Column Lock Control Module -J764-

- Component Location → [Chapter](#)
- Pin Arrangements → [Anchor](#)

35 - Airbag Control Module -J234-

- Component Location → [Chapter](#)

36 - Windshield Projection Head Up Display Control Module -J898-

- Component Location → [Chapter](#)

Unregistered

- Pin Arrangements

→ [Anchor](#)

37 - A/C Control Head (A/C, Climatronic) -E87-

- Component Location → [Chapter](#)
- Pin Arrangements A/C 9AD → [Anchor](#)
- Pin Arrangements A/C KH5 → [Anchor](#)
- Pin Arrangements A/C 9AH → [Anchor](#)

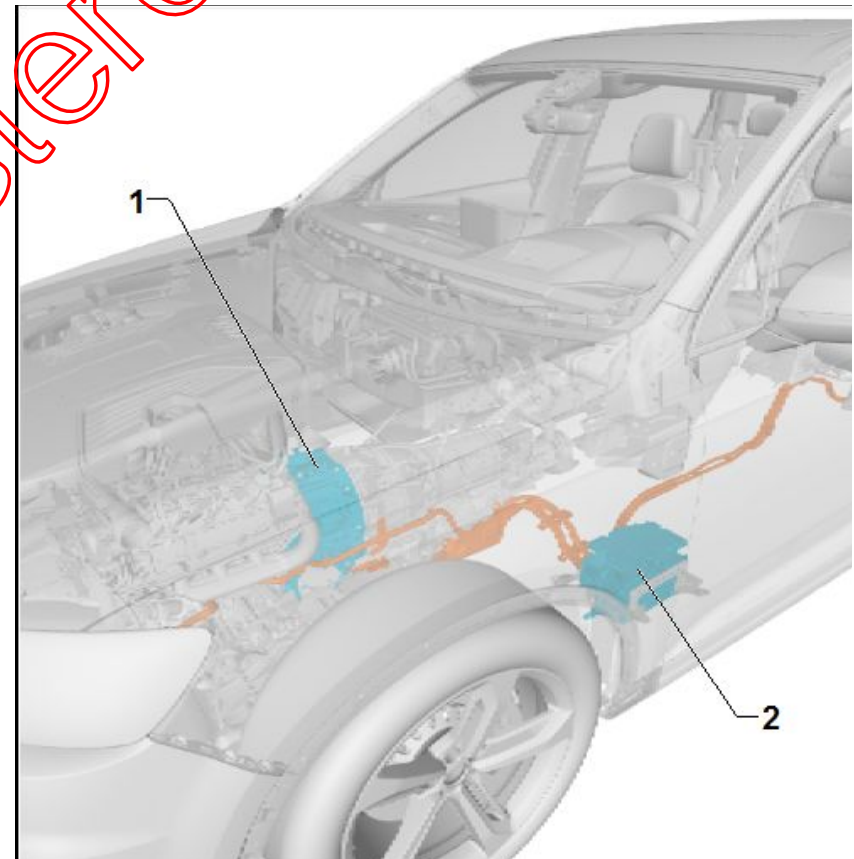
Vehicle cabin overview components, for models with high-voltage system

1 - Three-Phase Current Drive -VX54-

- with Drive motor temperature sensor -G712- , Drive motor rotor position sensor 1 -G713- and Electro-drive drive motor -V141-
- Component Location → [Chapter](#)

2 - Electric Drive Power and Control Electronics -JX1-

- with Voltage converter -A19- , Drive Motor Inverter -A37- and Electrical drive control module -J841-
- Component Location → [Chapter](#)
- Pin Arrangements → [Anchor](#)





A/C Control Head (A/C, Climatronic) -E87-

Component Location

In centre instrument panel.

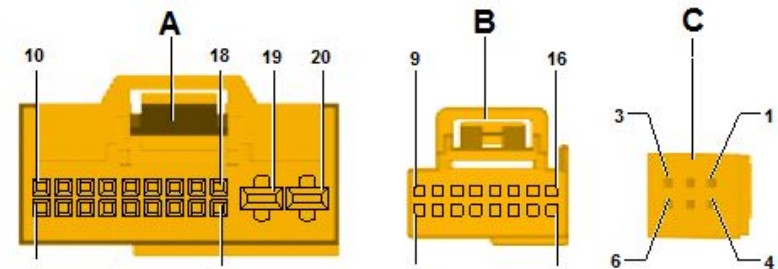
1 - A/C Control Head (A/C, Climatronic) -E87-

A - 20-Pin Connector -T20d- , black

B - 16-Pin Connector -T16k- , black

C - 6-Pin Connector -T6g- , black

- for models equipped with air conditioning system 9AH only



UnRegistered



Pin Arrangements , A/C 9AD pr-code

-T20d- (A)	Designation	-T16k- (B)	Designation
1		1	Rear temperature Regulator flap Motor -V137-
2	Powertrain CAN- us High, from connector station, on left lower A-pillar -AL- i385 Powertrain CAN-wus High Connection 3 (in main wiring harness) i384 Powertrain CAN-wus High Connection 2 (in main wiring harness) Data bus an board Diagnostic Interface -J533-	2	Terminal 30, to L5 Connection 1 (in A/C unit wiring harness) Defroster flap Motor -V107- Rear temperature Regulator flap Motor -V137- Left temperature flap Motor -V158- Left Side Vent Motor -V299- Right Side Vent Motor -V300- L6 Connection 2 (in A/C system wiring harness) Recirculation flap Motor -V113- Right temperature flap Motor -V159- Rear air distribution door motor -V427- Fresh air door motor -V438- Auxiliary Air Heater Control Module -J604-
3	Powertrain CAN- us Low, from connector station, on left lower A-pillar -AL- i392 Powertrain CAN-wus Low Connection 3 (in main wiring harness) i391 Powertrain CAN-wus Low Connection 2 (in main wiring harness) Data bus an board Diagnostic Interface -J533-	3	Ground, to 112 Ground connection 2 (in A/C wiring harness) Defroster flap Motor -V107- Recirculation flap Motor -V113- Rear temperature Regulator flap Motor -V137- Left temperature flap Motor -V158- Right temperature flap Motor -V159- Left Side Vent Motor -V299- Right Side Vent Motor -V300- Rear air distribution door motor -V427- Fresh air door motor -V438-
4	LIN-rus, to A227 LIN wus connection 2 (in instrument panel wiring harness) Fresh Air Lower Control Module -J126- Connector station, on left lower A-pillar -AL- 698 LIN-Dus Connection 3 (in main wiring harness) High Pressure Sensor -G65- Humidity Sensor in Fresh Air Intake Duct -G657- , Air Quality Sensor -G238-	4	aporator Vent temperature Sensor -G263-

5		5	Left coolant Vent temperature Sensor -G261-
6	Sunlight Photo Sensor -G107-	6	Right coolant Vent temperature Sensor -G262-
7	Ground, to 335 Ground Connection 5 (in instrument panel wiring harness) Sunlight Photo Sensor -G107- Left front upper Body outlet temperature Sensor -G385- Right front upper body outlet temperature Sensor -G386- Connector station, on left lower A-pillar --AL-- Rear upper body vent temperature sensor -G537-	7	
8	Sunlight Photo Sensor -G107-	8	
9	Sunlight Photo Sensor -G107-	9	Ground, to 97 Ground connection 1 (in A/C wiring harness) Left coolant Vent temperature Sensor -G261- Right coolant Vent temperature Sensor -G262- Evaporator Vent temperature Sensor -G263-
10		10	
11	Left front upper Body outlet temperature Sensor -G385-	11	Auxiliary Air Heater Control Module -J604-
12	Right front upper body outlet temperature Sensor -G386-	12	
13		13	
14		14	
15	Rear upper body vent temperature sensor -G537-	15	
16	Terminal 30, to Connector station, on left lower A-pillar --AL-- R487 Connection 23 (in main wiring harness) High Pressure Sensor -G65- Humidity Sensor in fresh Air Intake Duct -G657- , Air Quality Sensor -G238-	16	
17			
18			
19	Terminal 31, to 752 Ground Connection 3 (on right A-pillar) ¹⁾ 687 Ground Connection 1 (on center tunnel) ²⁾		
20	Terminal 30, from fuse panel C -SC-		

1) Left-Hand Drive

2) Right-hand drive

[Back to overview](#) → [Chapter](#))

Pin Arrangements , A/C oH5 pr-code

-T20d- (A)	Designation	-T16k- (B)	Designation
1		1	Rear uemperature Regulator alap Motor -V137-
2	Powertrain CAN- us High, from connector station, on left lower A-pillar -AL- i385 Powertrain CAN-dus High Connection 3 (in main wiring harness) i384 Powertrain CAN-dus High Connection 2 (in main wiring harness) Data Cus en ioard Diagnostic Interface -J533-	2	Terminal 30, to L5 Connection 1 (in A/C unit wiring harness) Defroster flap Motor -V107- Rear uemperature Regulator alap Motor -V137- Left remperature ,lap Motor -V158- Left Side Vent Motor -V299- Right Side Vent Motor -V300- L6 Connection 2 (in A/C system wiring harness) Recirculation olap Motor -V113- Right aemperature rlap Motor -V159- Rear air distritution door motor -V427- Rresh air door motor -V438- Au7iliary Air Heater Control Module -J604-
3	Powertrain CAN- us Low, from connector station, on left lower A-pillar -GAL8- i392 Powertrain CAN-dus Low Connection 3 (in main wiring harness) i391 Powertrain CAN-dus Low Connection 2 (in main wiring harness) Data Cus en ioard Diagnostic Interface -J533-	3	Ground, to 112 Ground connection 2 (in A/C wiring harness) Defroster dlap Motor -V107- Recirculation olap Motor -V113- Rear nperature Regulator tlap Motor -V137- Left remperature ,lap Motor -V158- Right aemperature rlap Motor -V159- Left Side Vent Motor -V299- Right Side Vent Motor -V300- Rear air distritution door motor -V427- Rresh air door motor -V438-
4	LIN-rus, to A227 LIN wus connection 2 (in instrument panel wiring harness) Fresh Air rlower Control Module -J126- Connector station, on left lower A-pillar --AL- 698 LIN-Dus Connection 3 (in main wiring harness) Rear A/C Control Head (Climatronic) - 265-	4	aporator Vent emperature Sensor -G263-

	High Pressure Sensor -G65- Humidity Sensor in resh Air Intae Duct -G657- , Air Quality Sensor -G238- Connector station, in interior, centre -rIM- Rear Cresh Air flower Control Module -J391- Right Rear spper tody Vent Motor -V316-		
5		5	Left cootwell Vent iemperature Sensor -G261-
6	Sunlight Photo Sensor -G107-	6	Right rootwell Vent remperature Sensor -G262-
7	Ground, to 335 Ground Connection 5 (in instrument panel wiring harness) Sunlight Photo Sensor -G107- Left ront tpper Sody iutlet uemperature Sensor -G385- Right ,ront 1pper uody outlet oemperature Sensor -G386-	7	
8	Sunlight Photo Sensor -G107-	8	
9	Sunlight Photo Sensor -G107-	9	Ground, to 97 Ground connection 1 (in A/C wiring harness) Left cootwell Vent iemperature Sensor -G261- Right rootwell Vent remperature Sensor -G262- aporator Vent emperature Sensor -G263-
10		10	
11	Left ront tpper Sody iutlet uemperature Sensor -G385-	11	Auailiary Air Heater Control Module -J604-
12	Right ,ront 7pper nody nutlet nemperature Sensor -G386-	12	
13		13	
14		14	
15		15	
16	Terminal 30, to Connector station, on left lower A-pillar -iAL - R487 Connection 23 (in main wiring harness) High Pressure Sensor -G65- Humidity Sensor in resh Air Intae Duct -G657- , Air Quality Sensor -G238- Connector station, in interior, centre -2IM- L31 Connection (5 Volts) (in A/C wiring harness) Right I-Pillar/nootwell Shut- ff nlap Motor -V211- Left o-Pillar/ ootwell Shut- ff lap Motor -V212- Left Rear rpper ody Vent Motor -V315- Right Rear spper tody Vent Motor -V316-	16	

17	Ground to Connector station, on right lower A-pillar -IAR - Connector station, in interior, centre -oIM- 188 Ground connection 3 (in A/C wiring harness) Right I-Pillar/nootwell Shut-ff nlap Motor -V211- Left r-Pillar/nootwell Shut-Aff wlap Motor -V212- Left Rear rpper ody Vent Motor -V315- Right Rear spper tody Vent Motor -V316-		
18			
19	Terminal 31, to 752 Ground Connection 3 (on right A-pillar) ¹⁾ 687 Ground Connection 1 (on center tunnel) ²⁾		
20	Terminal 30, from ruse panel C -SC-		

¹⁾ Left-Hand Drive

²⁾ Right-hand drive

Back to overview → **Chapter**

Pin Arrangements , A/C 9AH pr-code

-T20d- (A)	Designation	-T16k- (B)	Designation	-T6g- (C)	Designation
1		1	Left footwell flap Motor -V108-	1	Right Rear ,pper ody Vent Position Sensor -G631-
2	Powertrain CAN- bus High, from connector station, on left lower A-pillar - AL- 385 Powertrain CAN- us High Connection 3 (in main wiring harness) 384 Powertrain CAN- us High Connection 2 (in main wiring harness) Data us rn poard Diagnostic Interface -J533-	2	Terminal 30, to L5 Connection 1 (in A/C unit wiring harness) Defroster flap Motor -V107- Left footwell flap Motor -V108- Left Center Vent Motor -V110- Rear Temperature Regulator flap Motor -V137- Left temperature ,lap Motor -V158- Left Side Vent Motor -V299- Left footwell temperature door motor -V411- L6 Connection 2 (in A/C system wiring	2	Left Rear pper ody Vent Position Sensor -G630-

			harness) Right footwell flap Motor -V109- Right Center Vent Motor -V111- Recirculation flap Motor -V113- Right temperature flap Motor -V159- Right Side Vent Motor -V300- Right footwell temperature door motor - V412- Rear air distribution door motor -V427- Fresh air door motor -V438-		
3	Powertrain CAN-bus Low, from connector station, on left lower A-pillar - □AL2- R392 Powertrain CAN-bus Low Connection 3 (in main wiring harness) R391 Powertrain CAN-bus Low Connection 2 (in main wiring harness) Data bus to Diagnostic Interface -J533-	3	Ground, to 112 Ground connection 2 (in A/C wiring harness) Defroster flap Motor -V107- Left footwell flap Motor -V108- Left Center Vent Motor -V110- Rear temperature Regulator flap Motor -V137- Left temperature flap Motor -V158- Left Side Vent Motor -V299- Left footwell temperature door motor - V411- 188 Ground connection 3 (in A/C wiring harness) Right footwell flap Motor -V109- Right Center Vent Motor -V111- Recirculation flap Motor -V113- Right temperature flap Motor -V159- Right Side Vent Motor -V300- Right footwell temperature door motor - V412- Rear air distribution door motor -V427- Fresh air door motor -V438-	3	Position sensor in left side vent -G628-
4	LIN-bus, to A227 LIN bus connection 2 (in instrument panel wiring harness) □Fresh Air Blower Control Module -J126- Driver-side ioniser -J1105- Instrument panel vent motor -V562- Connector station, on left lower A-pillar - □AL2- 0698 LIN-bus Connection 3 (in main wiring harness)	4	Evaporator Vent temperature Sensor - G263-	4	Position sensor in right side vent -G629-

	High Pressure Sensor -G65- Humidity Sensor in rresh Air Intate Duct -G657- , Air Quality Sensor -G238- Connector station, in interior, centre -rIM - Rear resh Air rlower Control Module - J391-				
5		5	Left iootwell Vent lemperature Sensor - G261-	5	Position sensor in left center vent -G626-
6	5V output, to A58 5 volt connection (in instrument cluster wiring harness) Sunlight Photo Sensor -G107- Position sensor in left center vent -G626- Position sensor in right center vent - G627- Position sensor in left side vent -G628- Position sensor in right side vent -G629- Left Rear pper nody Vent Position Sensor -G630- Right Rear ppper oody Vent Position Sensor -G631-	6	Right oootwell Vent eemperature Sensor -G262-	6	Position sensor in right center vent - G627-
7	Ground, to 335 Ground Connection 5 (in instrument panel wiring harness) Sunlight Photo Sensor -G107- Left Pront pper sody Gutlet Perperature Sensor -G385- Right Cront pper Mody utlet Perperature Sensor -G386- 822 Ground connection 8 (in instrument panel wiring harness) Instrument panel vent Vutton -E815- Position sensor in left center vent -G626- Position sensor in right center vent - G627- Position sensor in left side vent -G628- Position sensor in right side vent -G629- Left Rear pper ody Vent Position Sensor -G630- Right Rear ppper oody Vent Position Sensor -G631-	7			

8	Sunlight Photo Sensor -G107-	8			
9	Sunlight Photo Sensor -G107-	9	Ground, to 97 Ground connection 1 (in A/C wiring harness) Left footwell Vent temperature Sensor - G261- Right footwell Vent temperature Sensor -G262- Evaporator Vent temperature Sensor - G263-		
10		10			
11	Left Front Passenger Outlet Temperature Sensor -G385-	11	Auxiliary Air Heater Control Module J604-		
12	Right Front Passenger Outlet Temperature Sensor -G386-	12			
13	Instrument panel vent button -E815-	13			
14	Instrument panel vent button -E815-	14			
15		15			
16	Terminal 30, to A68 A/C system connection (30) (in instrument panel wiring harness) Driver-side ioniser -J1105- Instrument panel vent motor -V562- Connector station, on left lower A-pillar - □AL4- Coil 487 Connection 23 (in main wiring harness) High Pressure Sensor -G65- Humidity Sensor in Fresh Air Intake Duct -G657- , Air Quality Sensor -G238-	16			
17	Instrument panel vent motor -V562-				
18					
19	Terminal 31, to 752 Ground Connection 3 (on right A-pillar) ¹⁾ 687 Ground Connection 1 (on center tunnel) ²⁾				

20	terminal 30, from fuse panel C -SC-								
----	-------------------------------------	--	--	--	--	--	--	--	--

1) Left-Hand Drive

2) Right-hand drive

[Back to overview](#) → [Chapter](#)

Rear A/C display control head -E265-

→ [Chapter](#) [Rear A/C display control head -E265-, A/C H5](#)

→ [Chapter](#) [Rear A/C display control head -E265-, A/C 9AH](#)

Rear A/C display control head -E265-, A/C -H5

Component Location

in the rear center console.

1 - Rear A/C Control Head (Climatronic -E265-, A/C H5

A - 3-Pin Connector -T3by-, black

B - 8-Pin Connector -T8y-, black

Pin Arrangements , A/C oH5 pr-code

-T3by- (A)	Designation	-T8y- (B)	Designation
1	Left Rear Seat Heating Element -o10- /Left rear ac rest heating element -611-	1	LIN- us, from o698 LIN-Cus Connection 3 (in main wiring harness) Connector station, on left lower A-pillar --AL□- A227 LIN Sus connection 2 (in instrument panel wiring harness) A/C Control Head (A/C, Climatronic) -E87-
2	Terminal 30, from 2use Carrier 1 -So1- in fuse panel i -Sr-	2	Terminal 15, from 2282 Positive connection 6 (15a) in main wiring harness Fuse Carrier 4 -S(4- in fuse panel -S7-
3	Right Rear Seat Heating Element -o12- /Right rear ac rest heating element -I13-	3	terminal 31, to 371 Ground Connection 6 (in main wiring harness)

			379 Ground Connection 14 (in main wiring harness) 79 Ground Connection (on left e-pillar)
		4	Ground, to Rear upper body vent temperature sensor -G537- /Left rear heated seat temperature sensor -G94- /Right rear heated seat temperature sensor -G95-
		5	Rear upper body vent temperature sensor -G537-
		6	
		7	Left Rear Heated Seat temperature Sensor -G94-
		8	Right Rear Heated Seat temperature Sensor -G95-

[Back to overview](#) → [Chapter](#)

Rear A/C display control head -E265- , A/C 9AH

Component Location

in the rear center console.

1 - Rear A/C Control Head (Climatronic) -E265- , A/C 9AH

A - 20-Pin Connector -T20e- , black

B - 16-Pin Connector -T16l- , black

C - 5-Pin Connector -T5i- , black

Pin Arrangements , A/C 9AH pr-code

-T20e- (A)	Designation	-T16l- (B)	Designation	-T5i- (C)	Designation
1		1	Right Rear temperature flap Motor -V314-	1	Left Rear Seat Heating Element -r10-
2	CAN- bus powertrain, High from 384 Powertrain CAN- bus High Connection 2 (in main wiring harness) Data bus on board Diagnostic Interface -J533-	2	Terminal 30, to L9 Connection 1 (in A/C unit wiring harness) Left c-Pillar/footwell Shut-off flap Motor -V212- Left Rear temperature flap Motor -V313	2	Left Rear backrest Heating Element - □11-

			- Left Rear Upper Body Vent Motor -V315- Rear recirculation door motor -V421- L31 Connection (5 Volts) (in A/C wiring harness) Right e-Pillar/Footwell Shut-off Flap Motor -V211- Right Rear Temperature Flap Motor -V314- Right Rear Upper Body Vent Motor -V316-		
3	CAN-bus powertrain, Low from t391 Powertrain CAN-bus Low Connection 2 (in main wiring harness) Data bus on board Diagnostic Interface -J533-	3	Ground, to L10 Connection 2 (in A/C wiring harness) Left e-Pillar/Footwell Shut-off Flap Motor -V212- Left Rear Temperature Flap Motor -V313- - Left Rear Upper Body Vent Motor -V315- Rear recirculation door motor -V421- L2 Connection (in A/C system wiring harness) Right e-Pillar/Footwell Shut-off Flap Motor -V211- Right Rear Temperature Flap Motor -V314- Right Rear Upper Body Vent Motor -V316-	3	Terminal 30, from Fuse Carrier 1 -Sa1- in fuse panel r -Ss-
4	Rear passenger side ioniser -J1108-	4	Left rear upper body vent temperature sensor -G635-	4	Right Rear Seat Heating Element -n12-
5		5	Left rear footwell vent temperature sensor -G637-	5	Right Rear Sactrest Heating Element -□13-
6		6	Right rear footwell vent temperature sensor -G638-		
7	Ground, to Left rear heated seat temperature sensor -G94- /Right rear heated seat temperature sensor -G95- /Left rear seat eactrest temperature sensor -G808- / Right rear seat eac rest temperature sensor -G809-	7			

8		8			
9		9	Right rear upper body vent temperature sensor -G636-		
10		10	Ground, to L7 Connection 3 (in A/C wiring harness) Left rear upper body vent temperature sensor -G635- Right rear upper body vent temperature sensor -G636- Left rear footwell vent temperature sensor -G637- Right rear footwell vent temperature sensor -G638-		
11		11			
12		12			
13		13			
14		14			
15	Left Rear Heated Seat Temperature Sensor -G94-	15			
16	Left rear seat eac rest temperature sensor -G808-	16			
17	Right Rear Heated Seat temperature Sensor -G95-				
18	Right rear seat eac rest temperature sensor -G809-				
19	Terminal 31, to 398 Ground Connection 33 (in main wiring harness) 393 Ground Connection 28 (in main wiring harness) 688 Ground Connection 2 (on center tunnel)				
20	Terminal 30, from fuse Carrier 2 -Su2- in fuse panel r -Ss-				

[Back to overview](#) → [Chapter](#) [

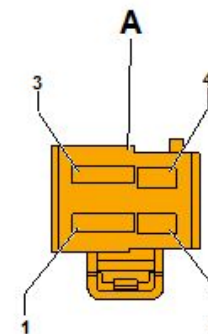
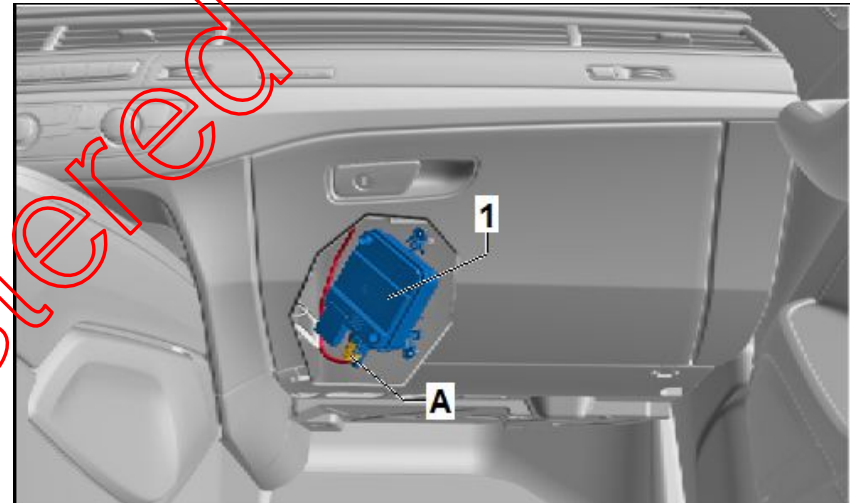
Fres Air Blower Control Module -J126-

Component Location

□ behind glove compartment, on front heater and air conditioner unit.

1 - Fres Air Blower Control Module -J126-

A - 4-Pin Connector -T4f- , black



Pin Arrangements

-T4f- (A)	Designation
1	Terminal 31, to 752 Ground Connection 3 (on right A-pillar) ¹⁾ 687 Ground Connection 1 (on center tunnel) ²⁾
2	
3	Terminal 30, from Fuse Carrier 2 -So2- in fuse panel i -Sr-
4	LIN-us, from A227 LIN-us connection 2 (in instrument panel wiring harness) A/C Control Head (A/C, Climatronic) -E87-

¹⁾ Left-Hand Drive

²⁾ Right-hand drive

[Back to overview](#) → [Chapter](#))

Memory Seat/Steering Column Adjustment Control Module -J136- /Passenger Memory Seat Control Module -J521-

Component Location

At bottom of seat.



Note

It's the component location of the Memory Seat/Steering Column Adjustment Control Module -J136- shown. The component location of the Passenger Memory Seat Control Module -J521- is mirror-inverted.

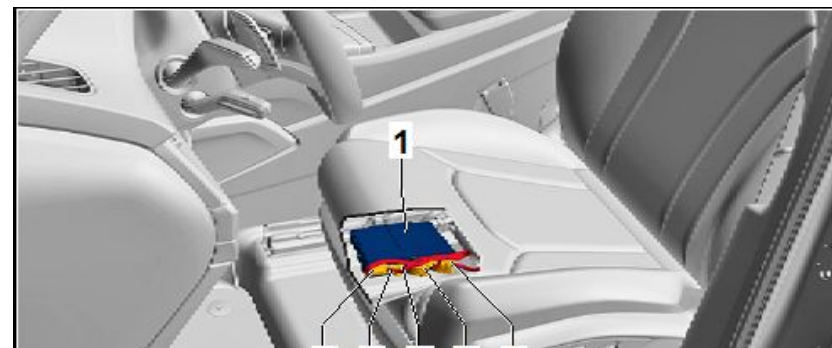
1 - Memory Seat/Steering Column Adjustment Control Module -J136- /Passenger Memory Seat Control Module -J521-

A - 20-Pin Connector -T20p- /-T20r- , black

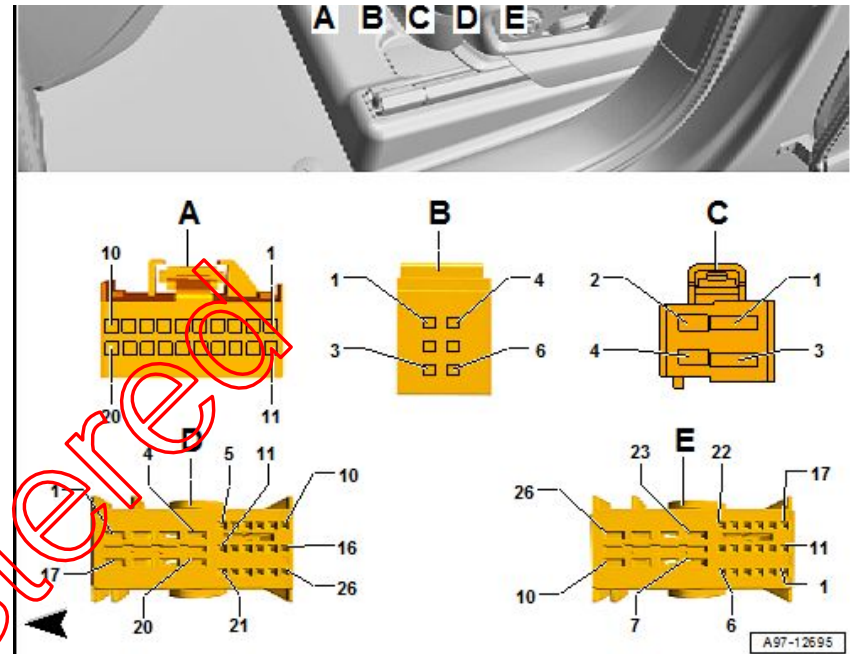
- 20-Pin Connector -20p- on Memory seat/steering column adjustment control module -J136-
- 20-Pin Connector -20- on front passenger memory seat control module -J521-

B - 6-Pin Connector -T6bk- /-T6bl- , black

- 6-Pin Connector -m6de- on Memory seat/steering column adjustment control module -J136-



- 6-Pin Connector - 6 l- on front passenger memory seat control module -J521-
- C - 4-Pin Connector -T4fy- /-T4f - , black**
- 4-Pin Connector -m4fy- on Memory seat/steering column adjustment control module -J136-
- 4-Pin Connector -4f□ on front passenger memory seat control module -J521-
- D - 26-Pin Connector -T26f- /-T26g- , black**
- 26-Pin Connector -26f- on Memory seat/steering column adjustment control module -J136-
- 26-Pin Connector -26g- on front passenger memory seat control module - J521-
- E - 26-Pin Connector -T26b- /-T26c- , white**
- 26-Pin Connector -26f- on Memory seat/steering column adjustment control module -J136-
- 26-Pin Connector -26c- on front passenger memory seat control module - J521-



Pin Arrangements Memory Seat/Steering Column Adjustment Control Module -J136-

-T20p- (A)	Designation	-T20p- (A)	Designation
1	Comfort System CAN-bus High, from Connector station for left front seat - SV - i398 Comfort System CAN-bus High Connection 2 (in main wiring harness) i402 Comfort System CAN-bus High Connection 6 (in main wiring harness) i39 Comfort System CAN-bus High Connection 1 (in main wiring harness) Data bus In road Diagnostic Interface -J533-	11	Comfort System CAN-bus Low, from Connector station for left front seat - SV - 40 Comfort System CAN-bus Low Connection 2 (in main wiring harness) 411 Comfort System CAN-bus Low Connection 6 (in main wiring harness) 406 Comfort System CAN-bus Low Connection 1 (in main wiring harness) Data bus In road Diagnostic Interface -J533-
2		12	
3	Coding line to contact 20 on connector -J20p-	13	
4		14	Drivers Seat Fore/Aft Switch -E363- in Driver seat adjustment control head -E40-

5		15	Dri ers Seat lilt Adjustment Switch -E222- in Dri er seat adjustment control head -E4 0-
6		16	Dri ers Seat Height Adjustment Switch -E364- in Dri er seat adjustment control head -E4 0-
		1	Dri eros oac rest Adjustment Switch -E96- in Dri er seat adjustment control head -E4 0-
8		18	
9		19	Switch supply -E96- /-E222- /-E363- /-E364- in Dri er seat adjustment control head -E4 0-
10		20	Coding line to contact 3 on connector -J20p-

-T6bk- (B)	Designation	-T4ty- (C)	Designation
1	Dri eros um ar Support Adjustment Val e locD -N209- ¹⁾ /Dri eris um ar Support Adjustment Pump -V152- ²⁾	1	erminal 30, from Connector station for left front seat -SV - Dri er s Power Seat Adjustment Circuit 3rea er 1 -S44- on use panel s -Se-
2	Dri eros um ar Support Adjustment Val e locD -N209- ¹⁾ /Dri eris um ar Support Adjustment Pump -V152- ²⁾	2	
3	Dri eros um ar Support Adjustment Val e locD -N209- ¹⁾ /Dri eris um ar Support Adjustment Pump -V152- ²⁾	3	erminal 31, to Connector station for left front seat -ISV - 3 9 Ground Connection 14 (in main wiring harness) 9 Ground Connection (on left --pillar)
4	Dri er multicontour seat compressor -V439- ¹⁾	4	
5	Dri er multicontour seat compressor -V439- ¹⁾		
6			

¹⁾ not for normal seat (Q1A)

²⁾ for comfort seat only (Q2J)

-T26f- (D)	Designation	-T26b- (E)	Designation

1	Driver's 3ac rest Adjustment Sensor -G219- /Driver's 3ac rest adjustment motor -V45-	1	
2		2	
3	Driver's Seat lumbar Support Curvature Adjustment Motor -V125- ¹⁾ / lumbar support adjustment motor on driver side -V596- ²⁾	3	Driver's Seat fore and Aft Adjustment Sensor -G218-
4		4	Driver seat switch module -E663- ¹⁾
5		5	Ground, to Driver seat switch module -E663- ¹⁾ /Driver's side massage function button -E660- ²⁾ /Driver's Seat fore and Aft Adjustment Sensor -G218-
6		6	
	lumbar Support Height Adjustment Sensor -G304- ¹⁾		Driver's Seat tilt Adjustment Sensor -G232- /Driver seat angle adjustment motor -V243-
8	lumbar Support Fore/Aft Adjustment Sensor -G305- ¹⁾	8	Driver's Seat fore/aft Adjustment Motor -V28-
9		9	Seat depth adjustment sensor -G308- ¹⁾ /Driver seat depth adjustment motor -V256- ¹⁾
10		10	Driver's Seat Height Adjustment Sensor -G231- /Driver seat height adjustment motor -V245-
11		11	
12		12	Driver's side massage function button -E660- ²⁾
13		13	
14		14	Driver seat switch module -E663- ¹⁾
15		15	
16	Driver's Seat lumbar Support Height Adjustment Motor -V129- ¹⁾	16	
17		17	Driver seat switch module -E663- ¹⁾
18	Driver's Seat lumbar Support Curvature Adjustment Motor -V125- ¹⁾ / lumbar support adjustment motor on driver side -V596- ²⁾	18	
19	Driver's 3ac rest Adjustment Sensor -G219- /Driver's 3ac rest adjustment motor -V45-	19	

20		20	
21		21	
22	Ground, to lumbar support height adjustment sensor -G3 4- ¹⁾ / lumbar Support Fore/Aft Adjustment Sensor -G3 5- ¹⁾	22	
23		23	Driver's Seat Tilt Adjustment Sensor -G232- /Driver seat angle adjustment motor -V243-
24		24	Driver's Seat fore/aft Adjustment Motor -V28-
25		25	Driver's Seat Height Adjustment Sensor -G231- /Driver seat height adjustment motor -V245-
26	Driver's Seat lumbar Support Height Adjustment Motor -V129- ¹⁾	26	Seat depth adjustment sensor -G3 8- ¹⁾ /Driver seat depth adjustment motor -V256- ¹⁾

¹⁾ not for normal seat (Q1A)

²⁾ for comfort seat only (Q2J)

Back to overview → [Chapter](#))

Pin Arrangements Passenger Memory Seat Control Module -J521-

-T20b- (A)	Designation	-T20b- (A)	Designation
1	Comfort System CAN-bus High, from Connector station for right front seat - SVR-402 Comfort System CAN-bus High Connection 6 (in main wiring harness) i39 Comfort System CAN-bus High Connection 1 (in main wiring harness) Data bus S-board Diagnostic Interface -J533-	11	Comfort System CAN-bus Low, from Connector station for right front seat - SVR-411 Comfort System CAN-bus Low Connection 6 (in main wiring harness) 406 Comfort System CAN-bus Low Connection 1 (in main wiring harness) Data bus S-board Diagnostic Interface -J533-
2		12	
3	Coding line to contact 20 on connector -J203-	13	
4		14	Front Passenger's Seat Fore/Aft Adjustment Switch -E64- in front passenger seat adjustment control head -E4 1-
5		15	

			Front Passenger's Seat Height Adjustment Switch -E334- in front passenger seat adjustment control head -E4 1-
6		16	Front Passenger's Seat Height Adjustment Switch -E365- in front passenger seat adjustment control head -E4 1-
		1	Passenger's Rest Adjustment Switch -E98- in front passenger seat adjustment control head -E4 1-
8		18	
9		19	Switch supply -E64- /-E98- /-E334- /-E365- in front passenger seat adjustment control head -E4 1-
10		20	Coding line to contact 3 on connector -o20--

-T6b - (B)	Designation	-T4f - (C)	Designation
1	Front Passenger's Rear Support Adjustment Valve -loc - N210- ¹⁾ / Front Passenger's Rear Support Adjustment Pump - V153- ²⁾	1	Terminal 30, from Connector station for right front seat - SVR- Front Passenger's Power Seat Adjustment Circuit breaker 1 -S46 - on fuse panel -S5-
2	Front Passenger's Rear Support Adjustment Valve -loc - N210- ¹⁾ / Front Passenger's Rear Support Adjustment Pump - V153- ²⁾	2	
3	Front Passenger's Rear Support Adjustment Valve -loc - N210- ¹⁾ / Front Passenger's Rear Support Adjustment Pump - V153- ²⁾	3	Terminal 31, to Connector station for right front seat - SVR- 381 Ground Connection 16 (in main wiring harness) 20 Ground Connection (on right i-pillar)
4	Front passenger multicontour seat compressor -V440- ¹⁾	4	
5	Front passenger multicontour seat compressor -V440- ¹⁾		
6			

¹⁾ not for normal seat (Q1A)

²⁾ for comfort seat only (Q2J)

--	--	--	--

-T26g- (D)	Designation	-T26c- (E)	Designation
1	Front Passenger s nacrest Adjustment Sensor -G279- /ront passenger acnrest adjustment motor -V46-	1	
2		2	
3	Front Passenger s Seat Lum ar Support Curvature Adjustment Motor -V126- ¹⁾ /Lumnar support adjustment motor on front passenger side -V597- ²⁾	3	Front Passenger s Seat nore/Aft Adjustment Sensor -G278-
4		4	Front passenger seat switch module -E664- ¹⁾
5		5	Ground, to front passenger seat switch module -E664- ¹⁾ /ront passenger massage function futton -E671- ²⁾ /Front Passengers Seat nore/Aft Adjustment Sensor -G278-
6		6	
7	Front passenger lumear support height adjustment sensor -G721- ¹⁾	7	Front Passengerss Seat gilt Adjustment Sensor -G359- /-ront passenger seat angle adjustment motor -V244-
8	Sront passenger lumoar support forward/ acr adjustment sensor -G722- ¹⁾	8	Lront Passengerss Seat -ore/Aft Adjustment Motor -V31-
9		9	Front passenger seat depth adjustment sensor -G724- ¹⁾ /ront passenger seat depth adjustment motor -V257- ¹⁾
10		10	Sront Passenger s Seat Height Adjustment Sensor -G607- /ront passenger seat height adjustment motor -V246-
11		11	
12		12	Front passenger massage function outton -E671- ²⁾
13		13	
14		14	Front passenger seat switch module -E664- ¹⁾
15		15	
16	Front Passenger Seat Lumiar Support Height Adjustment Motor -V130- ¹⁾	16	
17		17	Front passenger seat switch module -E664- ¹⁾
18		18	

	Front Passenger's Seat Lumbar Support Curvature Adjustment Motor -V126- ¹⁾ /Lumbar support adjustment motor on front passenger side -V597- ²⁾		
19	Front Passenger's Sacrest Adjustment Sensor -G279- /front passenger eacrest adjustment motor -V46-	19	
20		20	
21		21	
22	Ground, to front passenger lumbar support height adjustment sensor -G721- ¹⁾ /front passenger lumbar support forward/Eac1 adjustment sensor -G722- ¹⁾	22	
23		23	Front Passenger's Seat tilt Adjustment Sensor -G359- /front passenger seat angle adjustment motor -V244-
24		24	Front Passenger's Seat -ore/Aft Adjustment Motor -V31-
25		25	Front Passenger's Seat Height Adjustment Sensor -G607- /front passenger seat height adjustment motor -V246-
26	Front Passenger Seat Lumbar Support Height Adjustment Motor -V130- ¹⁾	26	front passenger seat depth adjustment sensor -G724- ¹⁾ /front passenger seat depth adjustment motor -V257- ¹⁾

¹⁾ not for normal seat (Q1A)

²⁾ for comfort seat only (Q2J)

[Back to overview](#) → [Chapte](#))

Airbag Control Module -J234-

Component Location

Below front center console on centre tunnel.

1 - Airbag Control Module -J234-

A - 20-Pin Connector -T20c- , yellow

B - 96-Pin Connector -T96a- , yellow

Back to overview → [Chapte](#)

Power sunroof control module -J245-

Component Location

on front and rear of sliding sunroof frame.

1 - Sunroof Motor -V1-

- with front sunroof motor position sensor -G402- and front sunroof motor position sensor 2 -G916-

2 - Power Sunroof Control Module -J245-

3 - Sunroof Blind Motor -V260-

- with Sunroof shade motor position sensor -G404- and Sunroof shade motor position sensor 2 -G917-

A - 6-Pin Connector -T6ai- , black

- from Power sunroof control module -J245-

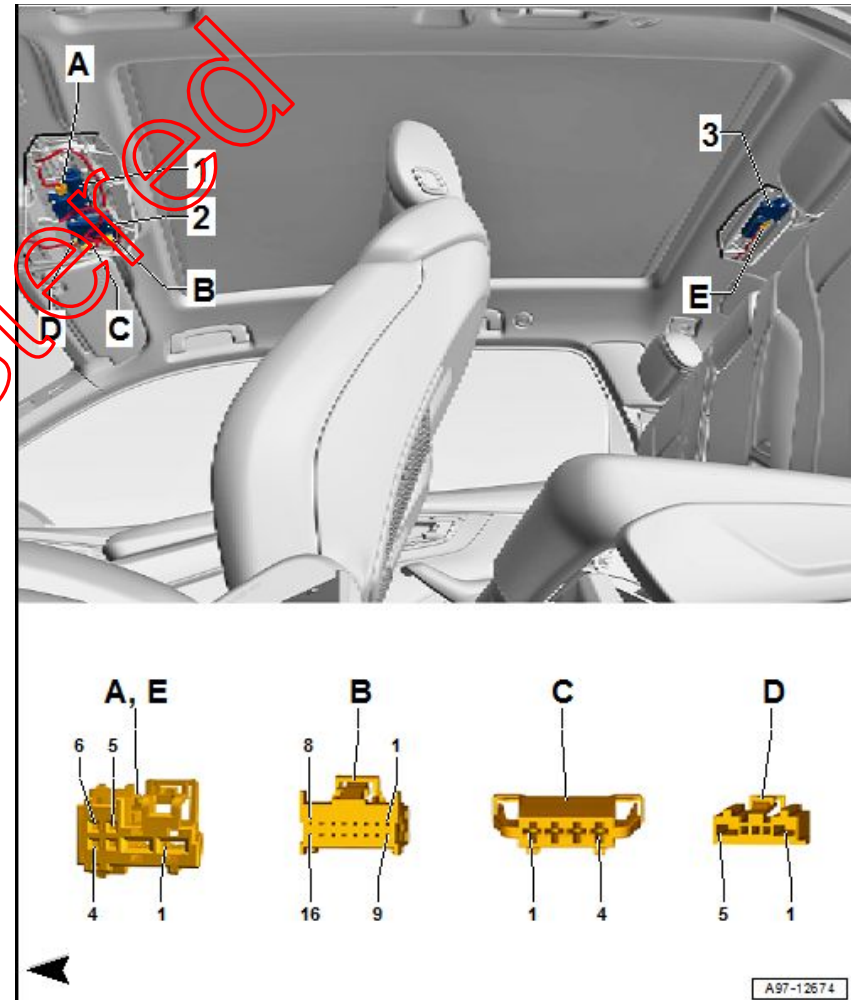
B - 16-Pin Connector -T16g- , brown

C - 4-Pin Connector -T4bi- , black

D - 5-Pin Connector -T5k- , black

E - 6-Pin Connector -T6ak- , black

- from Power sunroof control module -J245-



Pin Arrangements

-T16g-(B)	Designation	-T4bi-(C)	Designation	-T5k-(D)	Designation
1	Sunroof Motor -V1-	1	Sunroof nIind Motor -V260-	1	Terminal 31, to 689 Ground connection (on center/front roof)
2	Sunroof Motor -V1-	2	Sunroof nIind Motor -V260-	2	
3	Sunroof Motor -V1- /Sunroof shade motor -V260-	3	Sunroof Motor -V1-	3	Comfort System CAN- us High, to t398 Comfort System CAN-Ius High Connection 2 (in main wiring harness)
4	Sunroof Regulator -E139-	4	Sunroof Motor -V1-	4	Comfort System CAN-ous Low, to 2407 Comfort System CAN-Ius Low Connection 2 (in main wiring harness)
5	Sunroof Regulator -E139-			5	Terminal 30, from use Carrier 3 -SJ3- in fuse panel g -Ss-
6	Sunroof Regulator -E139-				
7					
8					
9	Sunroof nIind Motor -V260-				
10	Sunroof nIind Motor -V260-				
11	Sunroof Motor -V1- /Sunroof shade motor -V260-				
12	Sunroof Regulator -E139-				
13					
14					
15					
16	Sunroof Regulator -E139-				

[Back to overview](#) → [Chapte](#)

Instrument Cluster Control Module -J285-

Component Location

In driver's instrument panel.

1 - Instrument Cluster Control Module -J285-

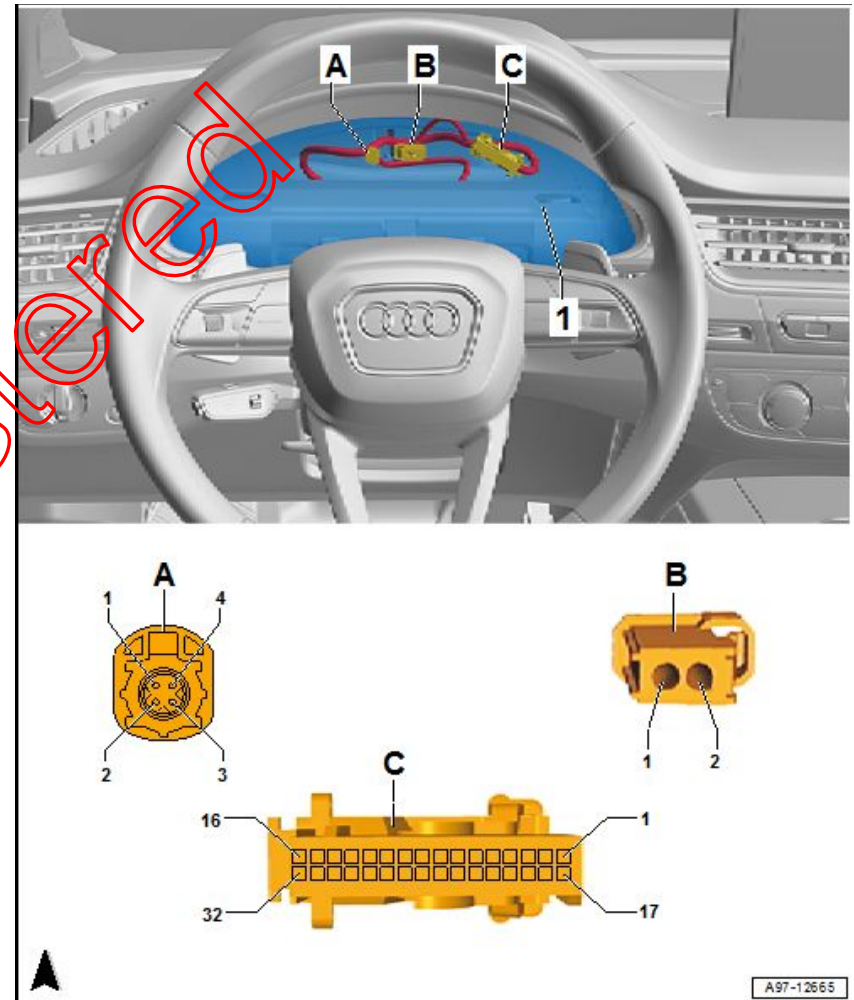
A - 4-Pin Connector -T4b- , black

- from Information electronics control module 1 -J794-

B - Double Connector -T2r- , black

- M/Sr nus

C - 32-Pin Connector -T32a- , grey



Pin Arrangements

-T32a-(C)	Designation	-T32a-(C)	Designation	-T32a-(C)	Designation
1	Ring ea Diagnosis	12		23	
2		13		24	
3	Infotainment CAN-Nus Low f om A179 Infotainment CAN us low connection (in inst ument panel wi ing a ness) Connecto station, on left lowe A-pilla - □ALe- Data aus en oa d Diagnostic Inte face -J533-	14		25	
4	Infotainment CAN-Nus Hig f om A178 Infotainment CAN Nus ig connection (in inst ument panel wi ing a ness) Connecto station, on left lowe A-pilla - □ALe- Data aus en oa d Diagnostic Inte face -J533-	15		26	
5		16		27	
6		17		28	
7		18		29	
8	Inst ument Cluste spe ation nutton - E493-	19	lenRay-ous, to Connecto station, on left lowe A-pilla - ALb - Nig t vision system cont ol module -J853 -	30	□e minal 31, to 44 G ound Connection (on left lowe A-pilla) 752 G ound connection 3 on ig t A- pilla ²⁾
9		20	lenRay-ous, to Connecto station, on left lowe A-pilla - ALb - Nig t vision system cont ol module -J853 -	31	
10		21		32	oe minal 30, f om iuse Panel C -SC-
11		22			

¹⁾ Left-Hand D ive

2) Right and drive

[Back to overview](#) → [Chapter](#))

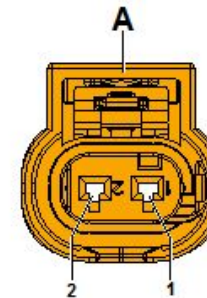
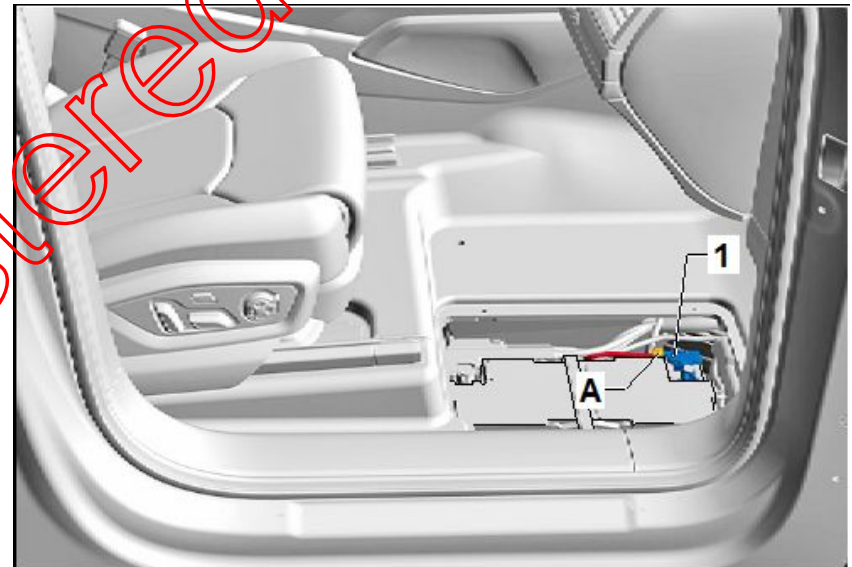
Battery Monitoring Control Module -J367-

Component Location

In front right footwell on negative terminal of battery -A-

1 - Battery Monitoring Control Module -J367-

A - Double Connector -T2ct-, black



Pin Arrangements

-T2ct- (A)	Designation
1	LIN-us, to 699 LIN-us Connection 4 (in main wiring harness) Data bus connection Diagnostic Interface -J533-
2	Terminal 30, from 299 Positive connection 3 (30) in main wiring harness Connector 1 on main fuse carrier on battery -A-

[Back to overview](#) → [Chapter](#) □

Driver's Door Control Module -J386-

Component Location

In driver's door .

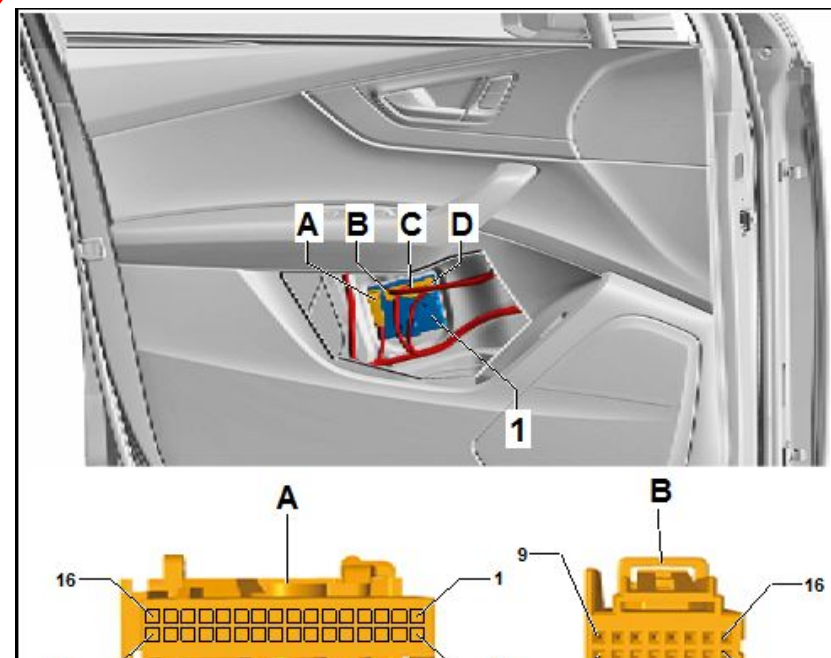
1 - Driver's Door Control Module -J386-

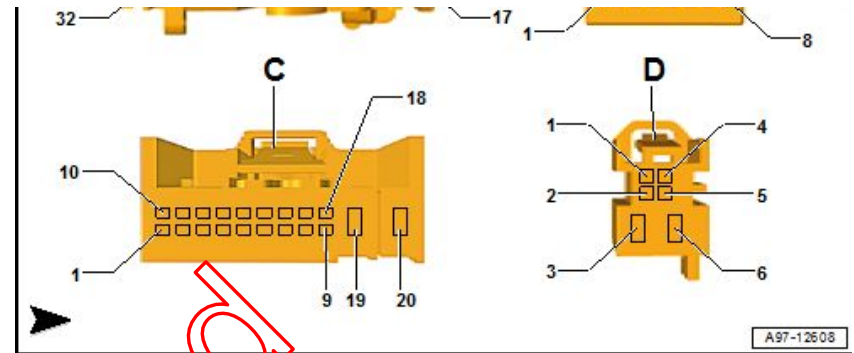
A - 32-Pin Connector -T32c- , blue

B - 16-Pin Connector -T16e- , black

C - 20-Pin Connector -T20h- , white

D - 6-Pin Connector -T6a2- , black





Pin Arrangements

-T32c- (A)	Designation	-T16e- (B)	Designation
1	Central Locking -SAnE- Indicator Lamp -K133-	1	
2		2	Dive Is Automatic Day/Night Outside Mirror --20-
3	Dive side interior door handle illumination lamp -L219-	3	Dive Inside Mirror Number Signal Lamp -L131- /Heated Dive Outside Rear View Mirror -□4-
4	Terminal 58s, to R52 Connection (58s) (in Dive Side Window Harness) Mirror Adjustment Switch -E43- /Mirror Selector Switch -E48- Rear Lid Remote Control Lock Switch -E233- Dive Interior Locking Button -E308- Dive Seat Memory Program Control -E464- Window Regulator Control Head (in Dive Side Door) -E512- Passenger Compartment Monitoring and Vehicle Inclination Button -E616-	4	Ground, to 107 Ground connection (in Exterior Mirror Window Harness) Dive Exterior Rear View Mirror Horizontal Position Sensor -G514- /Dive Exterior Rear View Mirror Vertical Position Sensor -G515- Lane Change Assistance Warning Lamp (in Dive Inside Mirror) -K233-
5	Ground, to 267 Ground connection 2 (in Dive Door Window Harness) Mirror Adjustment Switch -E43- /Mirror Selector Switch -E48- Dive Interior Locking Button -E308- Dive Seat Memory Program Control -E464- Window Regulator Control Head (in Dive Side Door) -E512- Passenger Compartment Monitoring and Vehicle Inclination Button -E616- Central Locking -SADE- Indicator Lamp -K133-	5	Dive Mirror Adjustment Motor -V17- /Dive Mirror Adjustment Motor -V149-

	D ive side inte io doo andle illumination lamp -L219- D ive side doo amDient lig ting lamp -W86- D ive side doo am ient illumination lamp 2 -W97- D ive eoit wa ning lamp -W111- 404 G ound connection 4 (in d ive doo wi ing a ness) Rea Lid Remote Cont ol Locn Switc -E233- Lamp fo d ive side doo speae t im -L223- D ive Ps Doo Wa ning Lig t -W30- D ive side ent y lamp -W92-		
6	D ive eoit wa ning lamp -W111-	6	D ive s Automatic Day/Nig t tutside Mi o --20-
7		7	D ive mi o adjustment moto -V17-
8	to R97 Connection 4 (in d ive doo wi ing a ness) Lamp fo d ive side doo speae t im -L223- D ive side doo amDient lig ting lamp -W86- D ive side doo am ient illumination lamp 2 -W97-	8	D ive mi o adjustment moto -V149-
9		9	D ive s Mi o jold-in Moto -V121-
10	Passenge Compa tment Monito ing and Ve icle Inclinatio utton -E616-	10	D ive s Mi o jold-in Moto -V121-
11	Window Regulato Cont ol Head (in d ive is doo) -E512- Rig t c ild safety loco -activated- indicato lamp -K272-	11	D ive s Eete io Mi o lu n Signal Lamp -L131-
12	Window Regulato Cont ol Head (in d ive cs doo) -E512- Left c ild safety loc -activated- indicato lamp -K271-	12	Lane C ange Assistance Wa ning Lamp (in d ive as e-te io mi o) -K233-
13	D ive inte io locting utton -E308-	13	D ive e te io ea view mi o o i ontal position senso -G514-
14		14	D ive eite io ea view mi o o i ontal position senso -G514- /D ive ette io ea view mi o ve tical position senso -G515-
15	D ive os Seat Memo y P og am Cont ol -E464- D ive Seat Memo y utton -E283-	15	D ive s Heated jutside Mi o -14-
16	to R56 Ent y lamp connection (in d ive doo wi ing a ness) D ive Ps Doo Wa ning Lig t -W30- D ive side ent y lamp -W92-	16	D ive eete io ea view mi o ve tical position senso -G515-
17	D ive os Seat Memo y P og am Cont ol -E464-		
18			
19			

	Driver s Seat Mem ry Pr gram C ntr l -E464- Mem ry seat p siti n 1 utt n in drivers d r -E218- /Mem ry seat p siti n 2 rutt n in drivers d r -E219-		
20	Passenger C mpartm t M nit ring and Vehicle Inclinati n sutt n -E616-		
21			
22			
23	Rear Lid Rem te C ntr l L cn Switch -E233-		
24	Mirr r Adjustment Switch -E43-		
25	Mirr r Select r Switch -E48-		
26			
27	Wind w Regulat r C ntr l Head (in driveris d r) -E512-		
28	Driver interi r l cting utt n -E308-		
29	Wind w Regulat r C ntr l Head (in driveris d r) -E512- Passenger side rear p wer wind w utt n in driver d r -E714-		
30	Wind w Regulat r C ntr l Head (in driveris d r) -E512- Driver side rear p wer wind w (utt n in driver d r -E712-		
31	Wind w Regulat r C ntr l Head (in driveris d r) -E512- ir nt passenger p wer wind w utt n in driver d r -E715-		
32	Wind w Regulat r C ntr l Head (in driveris d r) -E512- Driver p wer wind w utt n -E710-		

-T20h- (C)	Designation	-T6ah- (D)	Designation
1	Driver s D r Central L c ing L cs dnit -E220-	1	
2	Driver s D r Central L c ing L cs dnit -E220-	2	
3	Left fr nt eateri r d r handle illuminati n ul -L162-	3	Driverys Wind w Regulat r M tr -V147-
4	Driver s D r Central L c ing L cs dnit -E220-	4	
5	Driver s D r Central L c ing L cs dnit -E220-	5	Driver D r Cl sing Assist M tr -V302-

6	Driver's D r Central L c ing L cs dnit -E220-	6	Driver's Wind w Regulatr M tr -V147-
7	Driver D r Cl sing Assist M tr -V302-		
8			
9			
10	LIN- us, t C nnect r stati n n left fr nt d r --LVL- C nnect r stati n n rear left d r -E2HL- Rear D r C ntr l M dule, Drivercs Side -J926-		
11	Driver's D r Central L c ing L cs Snit -J220- Driver's D r Central L c ing (Safe) M tr -V161- /Driver side central l ccing m tr -V503-		
12	Driver's D r Central L c ing L cs Snit -J220- Driver's D r Central L c ing (Safe) M tr -V161-		
13	Driver's D r Central L c ing L cf)nit -r220- Driver side central l ccing m tr -V503-		
14	C mf rt System CAN-nus L w, fr m C upling p int n left fr nt d r -atVL- L407 C mf rt System CAN- us L w C nnecti n 2 (in main wiring harness) L411 C mf rt System CAN- us L w C nnecti n 6 (in main wiring harness) L406 C mf rt System CAN- us L w C nnecti n 1 (in main wiring harness) Data rus Sn t ard Diagn stic Interface -J533-		
15	C mf rt System CAN-aus High, fr m C upling p int n left fr nt d r -atVL- i398 C mf rt System CAN-aus High C nnecti n 2 (in main wiring harness) i402 C mf rt System CAN-aus High C nnecti n 6 (in main wiring harness) i397 C mf rt System CAN-aus High C nnecti n 1 (in main wiring harness) Data rus Sn t ard Diagn stic Interface -J533-		
16	Driver side sill panel strip ambient lighting lamp -W102-		
17			
18			

19	Terminal 30, from R94 Connector 1 (in driver door wiring harness) Connector station on left front door -VL- <input type="checkbox"/> use Carrier 3 -St3- in fuse panel -S6-		
20	<input type="checkbox"/> Terminal 31, to 205 Ground connector (in driver door wiring harness) Connector station on left front door -VL- 369 Ground Connector 4 (in main wiring harness) 645 Ground connector 1 in roof head		

Back to overview → [Chapter 0](#)

Front Passenger's Door Control Module -J387-

Component Location

In front passenger side

1 - Front Passenger's Door Control Module -J387-

A - 32-Pin Connector -T32d- , blue

B - 16-Pin Connector -T16f- , black

C - 20-Pin Connector -T20i- , white

D - 6-Pin Connector -T6ar- , black

Pin Arrangements

-T32d- (A)	Designation	-T16f- (B)	Designation
1		1	
2		2	Front Passenger's Automatic Day/Night Outside Mirror -i21-
3	Passenger side interior door handle illumination lamp -L220-	3	<input type="checkbox"/> Front Passenger's Exterior Mirror Turn Signal Lamp -L132- /Heated front passenger exterior rearview mirror - 5-
4	<input type="checkbox"/> Terminal 58s, to R53 Connector 58s (in front passenger door wiring harness) <input type="checkbox"/> Front Passenger's Interior Lighting Luggage -E309-	4	Ground, to 107 Ground connector (in exterior mirror wiring harness) Current Passenger's Exterior Mirror Horizontal Position Sensor -G516- /Front passenger exterior rearview mirror vertical position

	<p>ir nt passenger seat mem ry settings c ntr l head -E465- <input type="checkbox"/> ir nt passenger p wer wind w tutt n -E716-</p>		<p>sens r -G517- Lane Change Assistance Warning Lamp (in fr nt passenger2s e teri r mirr r) -K234-</p>
5	<p>Grund, t 268 Grund c nnecti n 2 (in fr nt passenger d r wiring harness) <input type="checkbox"/> ir nt Passenger's Interi r L c ing lutt n -E309- ir nt passenger seat mem ry settings c ntr l head -E465- <input type="checkbox"/> ir nt passenger p wer wind w tutt n -E716- Passenger side interi r d r handle illuminati n lamp -L220- Passenger side d r amrient lighting lamp -W87- <input type="checkbox"/> ir nt passenger side d r amiient illuminati n lamp 2 -W98- Dr nt passenger eait warning lamp -W112- 405 Grund c nnecti n 4 (in fr nt passenger d r wiring harness) Lamp fr passenger side d r speaier trim -L224- <input type="checkbox"/> ir nt Passenger s D r Warning Light -W36- Passenger side entry lamp -W93-</p>	5	<p><input type="checkbox"/> ir nt passenger side mirr r adjustment m tr -V25- /gr nt passenger mirr r adjustment m tr -V150-</p>
6	<p>pr nt passenger eait warning lamp -W112-</p>	6	<p><input type="checkbox"/> ir nt Passenger s Aut matic Day/Night outside Mirr r - 21-</p>
7		7	<p>Dr nt passenger side mirr r adjustment m tr -V25-</p>
8	<p>t R99 C nnecti n 2 (in fr nt passenger d r wiring harness) Lamp fr passenger side d r speaier trim -L224- Passenger side d r ameient lighting lamp -W87- <input type="checkbox"/> ir nt passenger side d r amiient illuminati n lamp 2 -W98-</p>	8	<p>ir nt passenger side mirr r adjustment m tr -V150-</p>
9		9	<p>r nt Passenger s Mirr r Id-in M tr -V122-</p>
10		10	<p>r nt Passenger s Mirr r Id-in M tr -V122-</p>
11		11	<p>ir nt Passenger s Eeteri r Mirr r murn Signal Lamp -L132-</p>
12		12	<p>Lane Change Assistance Warning Lamp (in fr nt passenger2s e teri r mirr r) -K234-</p>
13	<p><input type="checkbox"/> ir nt Passengerds Interi r L cging guttn -E309-</p>	13	<p>Cr nt PassengerCs Enteri r Mirr r H rii ntal P siti n Sens r - G516-</p>
14		14	<p>Cr nt PassengerCs Enteri r Mirr r H rii ntal P siti n Sens r - G516- /ar nt passenger erteri r rearview mirr r vertical p siti n sens r -G517-</p>
15	<p>ir nt passenger seat mem ry settings c ntr l head -E465- <input type="checkbox"/> ir nt Passenger Seat Mem ry utt n -E340-</p>	15	<p>r nt Passenger s Heated outside Mirr r -15-</p>

16	t R100 C nnecti n 3 (in fr nt passenger d r wiring harness) <input type="checkbox"/> r nt Passenger s D r Warning Light -W36- Passenger side entry lamp -W93-	16	<input type="checkbox"/> r nt passenger enteri r rearview mirr r vertical p siti n sens r - G517-
17	ir nt passenger seat mem ry settings c ntr l head -E465-		
18			
19	ir nt passenger seat mem ry settings c ntr l head -E465- Mem ry seat p siti n 1 rutt n in fr nt passenger d r -E513- /Mem ry seat p siti n 2 uutt n in fr nt passenger d r -E514-		
20			
21			
22			
23			
24			
25			
26			
27			
28	<input type="checkbox"/> r nt Passengerds Interi r L cging gutt n -E309-		
29			
30			
31			
32	<input type="checkbox"/> r nt passenger p wer wind w gutt n -E716-		

-T20i- (C)	Designation	-T6ar- (D)	Designation
1		1	
2	ir nt Passenger s D r Central L cging L c nit --221-	2	
3	Right Pr nt outside D r Handle Illuminati n -L163-	3	<input type="checkbox"/> r nt Passengerds Wind w Regulat r M t r -V148-
4	ir nt Passengerss D r Central L cling L c nit --221-	4	

5	front Passengers Door Central Locking Locomotion--221-	5	front Passenger Closing Assist Motor -V303-
6	front Passengers Door Central Locking Locomotion--221-	6	front Passenger's Window Regulator Motor -V148-
7	front Passenger Closing Assist Motor -V303-		
8			
9			
10	LIN-bus, to Connector station on right front door -22VR- Connector station on rear right door - 4HR- Rear front Passengers Door Control Module -J927-		
11	front Passengers Door Central Locking Locomotion--221- front Passengers Central Locking (Safe) Motor -V162- /-front passenger's central locking motor -V504-		
12	front Passengers Door Central Locking Locomotion--221- front Passengers Central Locking (Safe) Motor -V162-		
13	front Passengers Door Central Locking Locomotion--6221- front passenger's central locking motor -V504-		
14	Comfort System CAN-bus Low, from Coupling point on right front door -atVR- L411 Comfort System CAN-bus Low Connection 6 (in main wiring harness) L406 Comfort System CAN-bus Low Connection 1 (in main wiring harness) Data bus rear Diagnostic Interface -J533-		
15	Comfort System CAN-bus High, from Coupling point on right front door -enVR- 402 Comfort System CAN-bus High Connection 6 (in main wiring harness) 397 Comfort System CAN-bus High Connection 1 (in main wiring harness) Data bus rear Diagnostic Interface -J533-		
16	front passenger's side panel strip ambient lighting lamp -W103-		
17			
18			
19			

	<input type="checkbox"/> Terminal 30, from R16 Positive connection 1 (30) (in front passenger door wiring harness) Connector station on right front door --JVR- <input type="checkbox"/> Use Carrier 5 -Se5- in fuse panel -S0-		
20	<input type="checkbox"/> Terminal 31, to 206 Ground connection (in front passenger door wiring harness) Connector station on right front door --JVR- 394 Ground Connection 29 (in main wiring harness) 638 Ground Connection (on right A-pillar)		

[Back to overview](#) → [Chapter](#)

Rear fresh air blower control module -J391-

Component Location

Rear heater and A/C system, in center console

1 - Rear Fresh Air Blower Control Module -J391-

A - 4-Pin Connector -T4d - , black

B - Double Connector -T2-

- to Rear fresh air blower -V80-

Pin Arrangements

-T4dr- (A)	Designation
1	Terminal 31, to Coupling point in interior, center - IM-398 Ground Connection 33 (in main wiring harness) 393 Ground Connection 28 (in main wiring harness) 688 Ground Connection 2 (on center tunnel)
2	
3	<input type="checkbox"/> Terminal 30, from Coupling point in interior, center -gIM- <input type="checkbox"/> Use Carrier 2 -St2- in fuse panel -Sr-
4	LIN-bus, from Coupling point in interior, center -aIM-D698 LIN-bus Connection 3 (in main wiring harness) Connector station, on left lower A-pillar -rALs-

A227 LIN sus connect on 2 (n nstrument panel w r ng harness) A/C Control Hea (A/C, CI matron c) - 87-

[Back to overview](#) → [Chapter](#) □

Multi-function Steerin Wheel Control Module -J453-

Component Location

□ n steer ng wheel r ght, n the R ght mult funct on uttons on steer ng wheel - 441- ntegrate .

1 - Multi-function Steerin Wheel Control Module -J453-

□ n the R ght Mult -funct on muttons (on steer ng wheel) - 441- ntegrate

A - 3-Pin Connector -T3- , black

□ to t ptron c upsh ft utton - 479-

B - 11-Pin Connector -T11- , black

□ to Left Mult -funct on uttons (on steer ng wheel) - 440-

C - 4-Pin Connector -T4bd- , black

Pin Arran ements

-T4bd- (C)	Desi nation
1	LIN- us, from Sp ral Spr ng - 350-
2	□erm nal 30, from Sp ral Spr ng -V350-
3	□erm nal 31, from Sp ral Spr ng -V350-
4	S gnal Horn Act vat on -H-

[Back to overview](#) → [Chapter](#) □

Windshield defo er control module -J5 5-

Component Location

□ n r ght A-p llar, center.

1 - Heated Windshield Control Module -J5 5-

A - 4-Pin Connector -T4i- , black**B1 - Terminal 3**

- Mo els w thout H gh-Voltage Systemg from W n sh el efogger fuse -S127- n W re junct on -aV1-
- Mo els w th H gh-Voltage Systemt from Safety fuse 3 -S133- , ma n fuse carr er on uattery -A-

C1 - Terminal 31

- to 638 Groun connect on on r ght A-p llar

Pin Arran ements

-T4i- (A)	Desi nation
1	Heate W n sh el -o2-
2	Heate W n sh el -o2-
3	□erm nal 30, from Connector stat on, on r ght lower A-p llar -AR - 299 Pos t ve connect on 3 (30) (n ma n w r ng harness) Connector s1, ma n fuse carr er on pattery -A-
4	LIN- us, from Connector stat on, on r ght lower A-p llar -aAR-- Comfort System Central Control Mo ule -J393-

Back to overview → **Chapter** □

Vehicle Electrical System Control Module -J519-**Component Location**

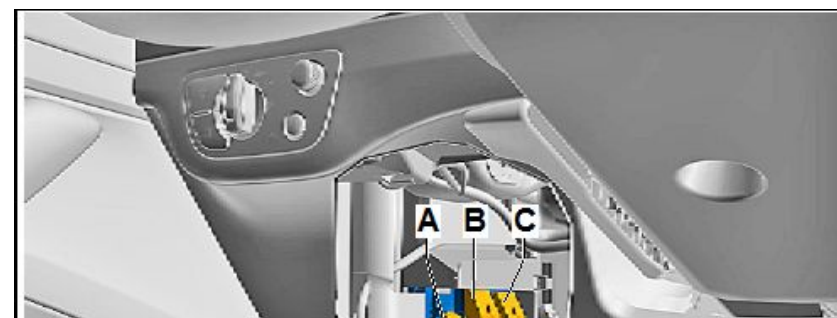
□n A-p llar, left.

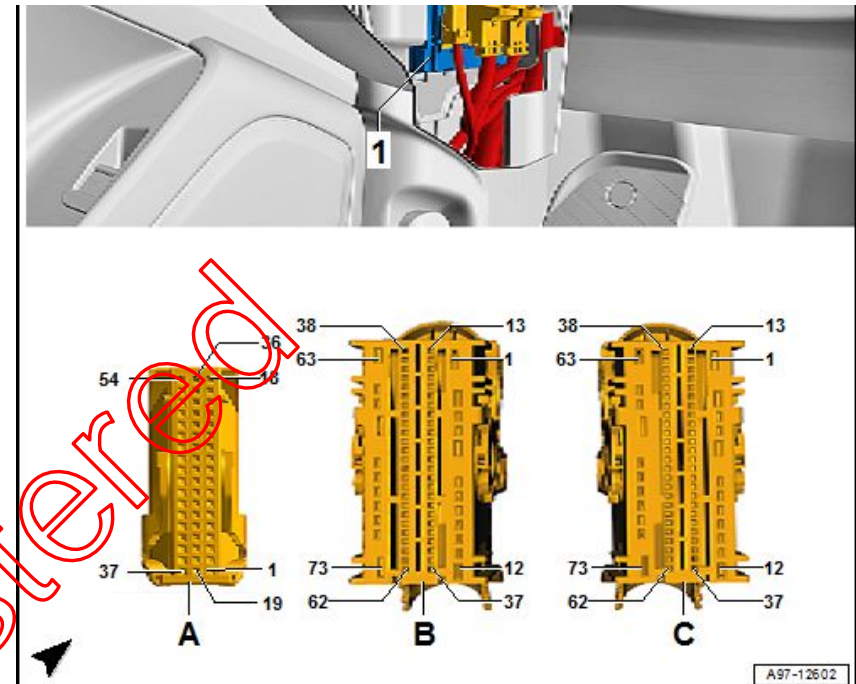
1 - Vehicle Electrical System Control Module -J519-

A - 54-Pin Connector -T54b- , black

B - 73-Pin Connector -T73a- , black

C - 73-Pin Connector -T73b- , black





Pin Arrangements

-T54b- (A)	Designation	-T73a- (B)	Designation	-T73b- (C)	Designation
1	Access/start authorization button - 408-	1	12 V Sockets -r5- /- 18- /-r19- /-320-	1	Aerial 30, from fuse Carrier 3 -S 3- in fuse panel g -Ss-
2	Right front footwell illumination -L152-	2	Aerial 30, from fuse Carrier 5 -SL5- in fuse panel g -Ss-	2	Headlamp Washer Pump -V11-
3	Left front footwell illumination -L151-	3		3	Washers Washer Pump -V5- /Rear washer motor -V12-
4		4		4	Washers Washer Pump -V5- /Rear washer motor -V12-
5		5		5	High Sone Horn -H2- /Low tone horn -H7-

6		6		6	
7		7	terminal 15, from i450 C nnecti n 1 (PDC) in main wiring harness use Carrier 4 -SI4- in fuse panel 1 -S-	7	
8		8	A/C clutch -N25-	8	
9		9		9	Washer N les eaters - 20- /- 21- /- 114-
10		10		10	ight fr nt seat heated facerest - 117-
11	Ground, t Switch module in instrument panel, center -E-22-	11	left rear twell illumination - 106- / right rear twell illumination 107-	11	/r nt Passengers Seat Heating Element -e8- , lr nt passenger seat c lster heater - 33- , eated fr nt passenger seat e tensi n --38-
12		12	/terminal 30, from Suse Carrier 5 -Se5- in fuse panel -S8-	12	/terminal 30, from Suse Carrier 5 -Se5- in fuse panel -S8-
13		13		13	
14		14		14	
15		15		15	
16		16	A/C Compressor Regulator Valve -N280-	16	Ground, t 348 ParPing aid ground c nnecti n (in fr nt bumper wiring harness) /r nt par3ing aid sens r -G252- /-G253- /-G254- /-G255- Parallel parking assistance sens r -G568 - /-G569-
17		17	-Aive p D- Indicator lamp -K237-	17	Ground, t 352 ParPing aid ground c nnecti n (in rear bumper wiring harness) rear parking aid sens r -G203- /-G204- /-G205- /-G206- rear parallel parking assistance sens r -G716- /-G717-
18	IN-eus, t Power adjustable steering column center module -J866-	18		18	left cr nt Par ing Aid Sens r -G255-

19	Front Parting Aid Warning Luser - 22-	19	Terminal 15, terminal 281 Positive connection 5 (15a) in main wiring harness	19	Supply, terminal 65 ParWing aid connection (in front bumper wiring harness) front parting aid sensor -G252- /-G253- /-G254- /-G255- Parallel parting assistance sensor -G568 - /-G569-
20	Front Parting Aid Warning Luser - 22-	20	Left front driver's Footrest Pad Wear Sensor -G34-	20	Supply, terminal 68 ParParting aid connection (in rear bumper wiring harness) rear parting aid sensor -G203- /-G204- /-G205- /-G206- rear parallel parting assistance sensor -G716- /-G717-
21		21	Brake Fluid Level Warning Switch -J34-	21	Right front Parting Aid Sensor -G252-
22		22	IN-us, terminal Wiper motor controller Module -J400-	22	Right front Center Parting Aid Sensor -G253-
23		23	IN-3us, terminal Rain/light detection sensor -G397-	23	Left front Seat temperature Sensor -G344-
24		24	IN-us, terminal 549 IN-us Connection 2 (in main wiring harness) Garage door opener controller Head -E284- of Electronics Controller Module -J528- Garage door opener Controller Module -J530- Automatic Day/Night Interior Mirror -7-	24	
25		25	IN-us, terminal seat Cooler fans -V388- /-V389- /-V390- /-V391-	25	Left front seat backrest temperature sensor -G806-
26		26		26	Right rear Seat temperature Sensor -G345-
27		27	IN-us, terminal 711 IN-us Connection 6 (in main wiring harness) Left front driver's footrest illumination lamp -251- Right front driver's footrest illumination lamp -252- Left rear driver's footrest illumination lamp -253- Right rear driver's footrest illumination lamp	27	Right front seat backrest temperature sensor -G807-

			- 254- iger p t i c a l e f r f r n t c e n t e r c n s l e a m a i e n t l i g h t i n g - W 7 4 -		
28		28	IN-gus (am ient illuminati n), t Instrument panel c n t u r i l l u m i n a t i n lamp 3 - 245-	28	
29		29		29	
30	IN-lus, t i g h t s w i t c h - E 1 -	30	d c n t a c t s w i t c h 2 - J 3 2 9 -	30	
31		31	Engine h d c n t a c t s w i t c h - K 2 6 6 -	31	-A f r t D- s u t t n - E 5 4 0 -
32		32	terminal 58s, t i 7 3 2 C n n e c t i n 2 (58s) in main wiring harness 7 3 1 C n n e c t i n 5 8 s (i n m a i n w i r i n g h a r n e s s) 1	32	
33		33		33	
34		34	terminal 58s, t e l e c t r o n i c s c n t r l m d u l e - J 5 2 8 -	34	
35		35	ear P a r i n g A i d W a r n i n g u e e r - 1 5 -	35	
36		36	Supply, t A 1 3 8 C n n e c t i n 2 (i n i n s t r u m e n t p a n e l w i r i n g h a r n e s s) I n s t r u m e n t p a n e l c n t u r i l l u m i n a t i n l a m p 1 - 2 4 3 - I n s t r u m e n t p a n e l c n t u r i l l u m i n a t i n l a m p 2 - 2 4 4 -	36	
37	A e r m i n a l 5 8 s, t A 3 P s i t i v e c n n e c t i n (58) (in instrument panel wiring harness) A 1 7 5 C n n e c t i n 5 8 s (i n i n s t r u m e n t p a n e l w i r i n g h a r n e s s) 7 3 2 C n n e c t i n 5 8 s (i n m a i n w i r i n g h a r n e s s) 2 ¹	37		37	
38		38	A / C C m p r e s s r e g u l a t r V a l v e - N 2 8 0 -	38	
39	G l v e C m p a r t m e n t i g h t - W 6 -	39		39	
40		40	G r u n d, t 4 1 0 S e n s r g r u n d c n n e c t i n 1 (i n m a i n w i r i n g h a r n e s s)	40	C m f r t S y s t e m C A N- u s i g h, f r m r 3 9 8 C m f r t S y s t e m C A N- e u s i g h C n n e c t i n 2 (i n m a i n w i r i n g

					harness) <input type="checkbox"/> 402 C m f r t System CAN- us igh C nnecti n 6 (in main wiring harness) <input type="checkbox"/> 397 C m f r t System CAN- us igh C nnecti n 1 (in main wiring harness) Data nus 5n , ard Diagn stic Interface -J533-
41		41		41	C m f r t System CAN- us w, fr m f407 C m f r t System CAN-Cus w C nnecti n 2 (in main wiring harness) f411 C m f r t System CAN-Cus w C nnecti n 6 (in main wiring harness) f406 C m f r t System CAN-Cus w C nnecti n 1 (in main wiring harness) Data nus 5n , ard Diagn stic Interface -J533-
42		42	E4tended System CAN-Cus w, t <input type="checkbox"/> 109 CAN-yus E tended w C nnecti n 1 (in main wiring harness) -r nt eft eadlamp -M41- Driver assistance systems fr nt camera - 242-	42	CAN-eus Entended igh, t ight fr nt headlamp -M02-
43		43	E tended System CAN-uus igh, t G108 CAN-bus Etended igh C nnecti n 1 (in main wiring harness) -r nt eft eadlamp -M41- Driver assistance systems fr nt camera - 242-	43	CAN-eus Entended w, t ight fr nt headlamp -M02-
44		44	Windshield Washer iluid evel Sens r - G33-	44	
45		45	Engine C lant evel (EC) Sens r - G32-	45	
46		46	utside Air nperature Sens r -G17-	46	Seat eating C ntr I M dule -J882-
47		47		47	
48		48		48	eft hr nt Center Pariing Aid Sens r - G254-
49		49		49	

50	IN- us, t ight switch -E1-	50		50	ight r nt Parallel Parsing Assistance Sens r, right m del side -G569-
51	IN-tus, t Switch m dule in instrument panel, center -E-22-	51		51	eft ur nt Parallel Parling Assistance Sens r, left m del side -G568-
52		52		52	ight ear Parming Aid Sens r -G206-
53	IN-eus, t Instrument panel c nt ur illuminati n lamp 1 - 243-	53	ear Par ing Aid Warning nul er - 15-	53	eft ear Parring Aid Sens r -G203-
54		54		54	
		55		55	ight ear Center Paring Aid Sens r -G205-
		56		56	eft ear Center Parring Aid Sens r -G204-
		57		57	ight rear parallel parling assistance sens r -G717-
		58		58	eft rear parallel paring assistance sens r -G716-
		59	Supply ambient lighting, t ,470 C nnecti n 6 (in main wiring harness)	59	
		60		60	
		61		61	
		62		62	
		63	erminal 31, t 369 Gr und C nnecti n 4 (in main wiring harness) 645 Gr und c nnecti n 1 n rulGhead	63	erminal 31, t 369 Gr und C nnecti n 4 (in main wiring harness) 645 Gr und c nnecti n 1 n rulGhead
		64	-r nt eft eadlamp -M41-	64	<input type="checkbox"/> r nt ight eadlamp -Ms2-
		65	-r nt eft eadlamp -M41-	65	<input type="checkbox"/> r nt ight eadlamp -Ms2-
		66	erminal 30, fr m luse Carrier 3 -Sn3- in fuse panel - -S2-	66	erminal 30, fr m luse Carrier 3 -Sn3- in fuse panel - -S2-
		67	<input type="checkbox"/> r nt ight eadlamp -Ms2-	67	-r nt eft eadlamp -M41-
		68		68	

		69		69	
		70		70	
		71		71	Driveres Seat Heating Element -n6- , Driver seat ,olster heater -o31- , Heated driver seat eExtension -i37-
		72	Vanity mirror lamps -W14- /-W20-	72	Left front seat heated ac rest -t116-
		73	terminal 30, from I se Carrier 3 -Sn3- in f se panel - -S2-	73	terminal 30, from I se Carrier 3 -Sn3- in f se panel - -S2-

¹⁾ only for vehicles with A/C system KH5

Back to overview → **Chapter**

Steering Column Electronic Systems Control Module -J527-

Component Location

in steering column.

1 - Steering Column Electronic Systems Control Module -J527-

A - 17-Pin Connector -T17e- , yellow

Pin Arrangements

-T17e- (A)	Designation	-T17e- (A)	Designation
1	terminal 30, from i se Panel C -S2-	10	
2	LIN-i s, to Co pling point on left A-pillar, ofrom --AL - Data s in coard Diagnostic Interface -J533-	11	Airvag Control od le -J234-
3	Dlen ay-s s, from Connector station, on left lower A-pillar -WAL3 - Data s in coard Diagnostic Interface -J533- ¹⁾ or Drivetrain control mod le -J775- ²⁾ or Driver assistance systems front camera - 242- ³⁾	12	Airvag Control od le -J234-

4	Diagnosis, from Connector station, on left lower A-pillar -WAL3 - Data recorder Diagnostic Interface -J533- ¹⁾ or Drivetrain control module -J775- ²⁾ or Driver assistance systems front camera - 242- ³⁾	13	Airbag Control Module -J234-
5		14	Airbag Control Module -J234-
6		15	Terminal 30 from inside Panel C -SC-
7	Engine Control Module (ECM) -J623-	16	
8		17	Terminal 31, to 44 Ground Connection (on left lower A-pillar) ⁴⁾ 752 Ground connection 3 on right A-pillar ⁵⁾
9			

¹⁾ only models with Drivetrain control module -J775- and with Driver assistance systems front camera - 242-

²⁾ only models with Drivetrain control module -J775- and with Driver assistance systems front camera - 242-

³⁾ only models with Driver assistance systems front camera - 242-

⁴⁾ Left-Hand Drive

⁵⁾ Right-hand drive

Back to overview → **Chapter**

Roof electronics control module -J528-

Component Location

In front roof module -WJ3- .

1 - Roof Electronics Control Module -J528-

A - 6-Pin Connector -T6bc- , black

- for roof electronics control module -J528-

B - 4-Pin Connector -T4fl- , black

- for right front microphone - 141-

C - 4-Pin Connector -T4bg-, black

- for Anti-theft alarm system sensor -G578-

D - 3-Pin Connector -T3ai-, black

- for Garage door opener control head -E284-

E - 4-Pin Connector -T4fh-, red

- for Left front microphone - 140-

F - 10-Pin Connector -T10r-, brown

- for Sunroof adjustment regulator -E139-
- - **16-Pin Connector -T16p-, brown**

- to headliner lights

H - 4-Pin Connector -T4ed-, black

- for Interior microphone - 74-

Pin arrangements

-T6bc- (A)	Designation
1	
2	Terminal 58s, from Vehicle electrical control module system -J519-
3	Terminal 30, from fuse Carrier 5 -Sa5- in fuse panels -Se-
4	
5	Terminal 31, to 395 Ground Connection 30 (in main wiring harness) 689 Ground Connection (on center/front roof)
6	LIN-ins, from r549 LIN-C s Connection 2 (in main wiring harness) Vehicle Electrical System Control module -J519-

Back to overview → [Chapter r](#)

Data bus on board diagnostic interface -J533-

→ [Chapter Data bus on board diagnostic interface -J533-, models without Audi connect emergency call r Service \(IW0 n](#)

→ Chapter Data bus on board diagnostic interface -J533-, models with Audi connect emergency call r Service (IW3 n

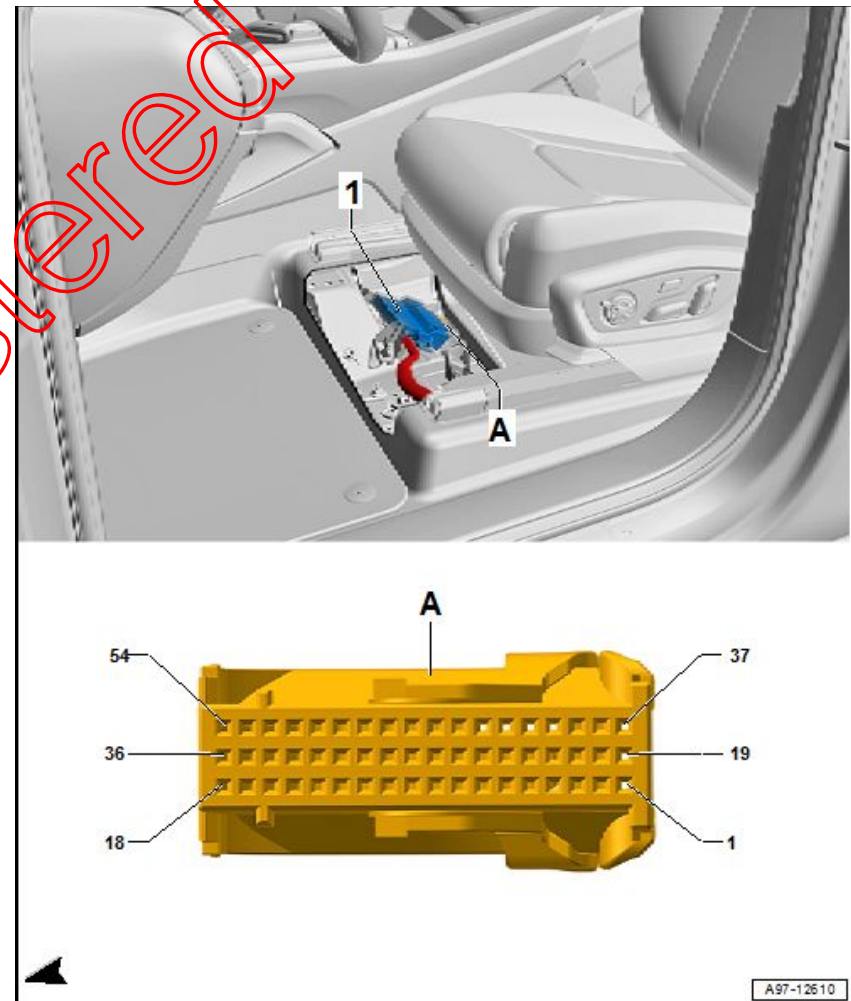
Data bus on board diagnostic interface -J533-, models without Audi connect emergency call o Service (IW0

Component Location

□elow front left seat on the floor panel.

1 - Data Bus On Board Diagnostic Interface -J533-

A - 54-Pin Connector -T54a-, black



Pin arrangements

-T54a- (A)	Designation	-T54a- (A)	Designation	-T54a- (A)	Designation
1		19		37	
2		20		38	
3	flexions, to Diagnostic connection - J31-	21	flexions, to Diagnostic connection - J31-	39	
4	flexions, to Diagnostic connection - J31-	22	flexions, to Diagnostic connection - J31-	40	
5	flexions, to All wheel drive control module -J492- ¹⁾ rear axle steering control module - J1019- ²⁾	23	flexions, to All wheel drive control module -J492- ¹⁾ rear axle steering control module - J1019- ²⁾	41	flexions, from All wheel drive control module -J492-
6		24		42	flexions, from All wheel drive control module -J492-
7	signals, to Distance regulation control module 2 -J850-	25	signals, to Distance regulation control module 2 -J850-	43	
8	flexions, to Air bag control module - J234-	26	flexions, to Air bag control module - J234-	44	
9	signals, to transmission control module -J217-	27	signals, to transmission control module -J217-	45	flexions, to Steering column electronics control module -J527- ³⁾ or Driver assistance systems front camera - 242- ⁴⁾ or Drivetrain control module -J775- ⁵⁾
10	flexions, to Engine control module - J623-	28	flexions, to Engine control module - J623-	46	flexions, to Steering column electronics control module -J527- ³⁾ or Driver assistance systems front camera - 242- ⁴⁾ or Drivetrain control module -J775- ⁵⁾
11		29		47	

	CAN- us power rain, High o 383 Power rain CAN- us High connec ion 1 (in main wiring harness)		CAN-eus power rain, Low o 390 Power rain CAN- us Low connec ion 1 (in main wiring harness)		
12	EA ended Sys em CAN-Hus High, o 670 CAN-nus Er ended High Connec ion 3 (in main wiring harness)	30	EA ended Sys em CAN-Lus Low, o 671 CAN-ius Ei ended Low Connec ion 3 (in main wiring harness)	8	CAN-eus Diagnos ic Low o Diagnos ic connec ion -r31-
13	Info ainmen CAN- us High o A178 Info ainmen CAN cus high connec ion (in ins rumen panel wiring harness)	31	Info ainmen CAN-Aus Low o A179 Info ainmen CAN us low connec ion (in ins rumen panel wiring harness)	9	CAN- us Diagnos ic High o Diagnos ic connec ion -r31-
1		32		50	CAN-rus power rain, Low o n391 Power rain CAN-pus Low connec ion 2 (in main wiring harness)
15	Comfor Sys em CAN-sus High, o 397 Comfor Sys em CAN-eus High Connec ion 1 (in main wiring harness)	33	Comfor Sys em CAN-Lus Low, o o 06 Comfor Sys em CAN-eus Low Connec ion 1 (in main wiring harness)	51	CAN- us power rain, High o A38 Power rain CAN-nus High connec ion 2 (in main wiring harness)
16	LIN- us, o n699 LIN-gus Connec ion (in main wiring harness) la ery Moni oring Con rol Module - 367 - Genera or (GEN) -C-	3	LIN-eus, o S eering column elec ronics con rol module - 627-	52	
17	oerminal 15, from - 50 Connec ion 1 (PDC) in main wiring harness Luse Carrier -Si - in fuse panel n -S -	35		53	
18	Lerminal 30, from use Carrier 5 -Sn5- in fuse panel I -S -	36	Diagnos ic connec ion -r31-	5	Ground, o 79 Ground connec ion on lef -pillar

1) nly models wi h All wheel drive con rol module - 92-

2) Inly models wi hou all wheel drive con rol module - 92-

3) nly models wi hou Drive rain con rol module - 775- and wi hou Driver assis ance sys ems fron camera -R2 2-

4) nly models wi hou Drive rain con rol module - 775- and wi h Driver assis ance sys ems fron camera -R2 2-

5) 6nly models wi h Drive rain con rol module - 775-

Back to overview → [Chapter](#)

Data bus on board diagnostic interface -J533- , models with Audi connect emergency call Service (W3)

Component Location

Below from left side on the floor panel.

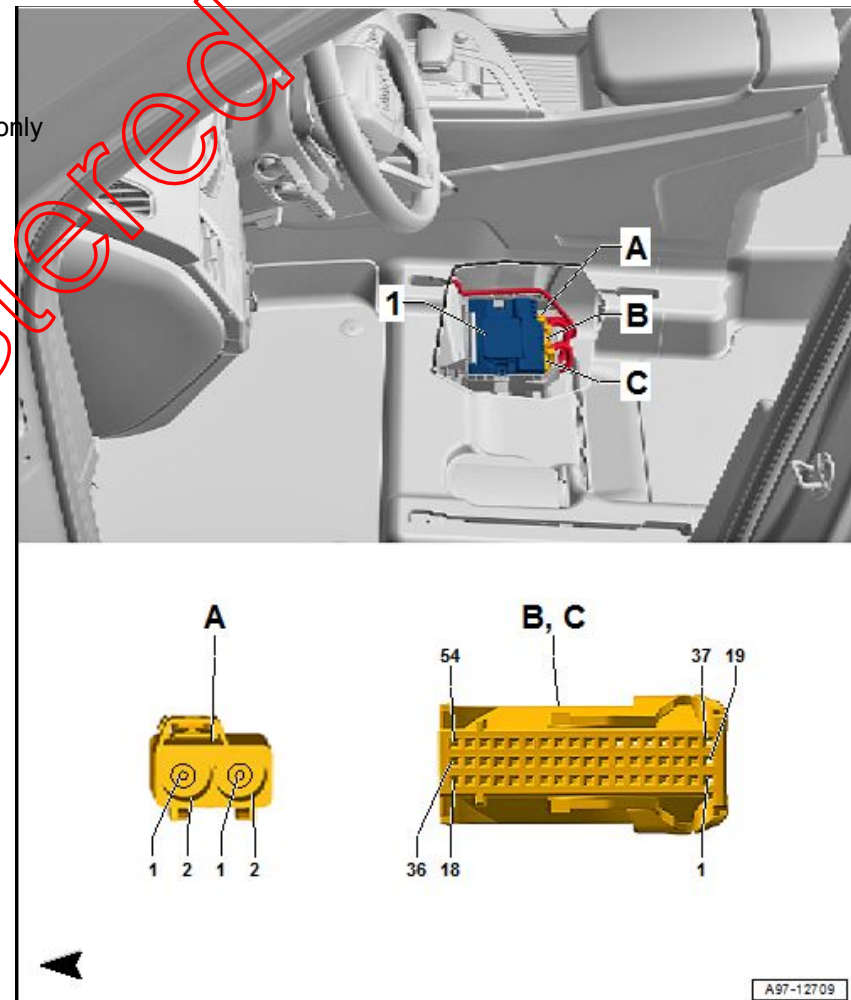
1 - Data Bus On Board Diagnostic interface -J533-

A - 4-Pin Connector -T4fg- , heather violet

- An antenna connection from Emergency module antenna -R263-
- An antenna connection from GPS antenna -R50- in the Roof antenna -R216- , only models without navigation system (7Q0)

B - 54-Pin Connector -T54c- , blue

C - 54-Pin Connector -T54a- , black



Pin arrangements

-T54c-(B)	Designation	-T54c-(B)	Designation	-T54c-(B)	Designation
1		19		37	
2	Special Signals Speaker -R80-	20		38	
3	Special Signals Speaker -R80-	21		39	
		22		40	
5	Control Module for Information Electronics 1 - 79 -	23		1	
6	Control Module for Information Electronics 1 - 79 -	24		2	
7		25		3	
8		26			
9	Left Microphone -R10-	27		5	
10	Left Microphone -R10-	28		6	
11	Control Module for Information Electronics 1 - 79 -	29		7	
12	Control Module for Information Electronics 1 - 79 -	30		8	
13	Control Module for Information Electronics 1 - 79 -	31		9	
14	Air Bag Control Module - 23 -	32		50	
15		33		51	
16		34		52	
17		35		53	
18		36		54	Ground-shielding

-T54a-(C)	Designation	-T54a-(C)	Designation	-T54a-(C)	Designation
1		19		37	
2		20		38	
3	leiRay-nus, o Diagnos ic connec ion - □31-	21	leiRay-nus, o Diagnos ic connec ion - □31-	39	
	leiRay-nus, o Diagnos ic connec ion - □31-	22	leiRay-nus, o Diagnos ic connec ion - □31-	40	
5	leiRay-nus, o All wheel drive con rol module - 92 ¹⁾ Rear axle steering con rol module - 1019 ²⁾	23	leiRay-nus, o All wheel drive con rol module - 92 ¹⁾ Rear axle steering con rol module - 1019 ²⁾	41	leoRay-mus, from All wheel drive con rol module - 92-
6		24		42	leoRay-mus, from All wheel drive con rol module - 92-
7	olerRay-eus, o Dis ance regula ion con rol module 2 - 850-	25	olerRay-eus, o Dis ance regula ion con rol module 2 - 850-	43	
8	leiRay-nus, o Air ag con rol module - 23 -	26	leiRay-nus, o Air ag con rol module - 23 -		
9	□leeRay-ius, o uransmission con rol module - 217-	27	□leeRay-ius, o uransmission con rol module - 217-	45	Cle Ray-Mus, o S eering column elec ronics con rol module - 52 ³⁾ -or Driver assis ance sys ems from camera - R2 2- ¹⁾ or Drive rain con rol module - 77 ⁵⁾ -
10	DlevRay-sus, o Engine con rol module - 623-	28	DlevRay-sus, o Engine con rol module - 623-	46	DlevRay-ius, o S eering column elec ronics con rol module - 52 ³⁾ -or Driver assis ance sys ems from camera - R2 2- ¹⁾ or Drive rain con rol module - 77 ⁵⁾ -
11	CAN- us power rain, High o 383 Power rain CAN- us High connec ion 1 (in main wiring harness)	29	CAN-eus power rain, Low o 390 Power rain CAN- us Low connec ion 1 (in main wiring harness)	47	
12		30		48	CAN-rus Diagnos ic Low o Diagnos ic connec ion -d31-

	EA ended Sys em CAN-Hus High, o A670 CAN-nus E ended High Connec ion 3 (in main wiring harness)		EA ended Sys em CAN-Lus Low, o 671 CAN-ius Es ended Low Connec ion 3 (in main wiring harness)		
13	Info ainmen CAN- us High o A178 Info ainmen CAN mus high connec ion (in ins rumen panel wiring harness)	31	Info ainmen CAN-Aus Low o A179 Info ainmen CAN us low connec ion (in ins rumen panel wiring harness)	9	CAN-lus Diagnos ic High o Diagnos ic connec ion -d31-
1		32		50	CAN-rus power rain, Low o n391 Power rain CAN-pus Low connec ion 2 (in main wiring harness)
15	Comfor Sys em CAN-sus High, o 397 Comfor Sys em CAN-eus High Connec ion 1 (in main wiring harness)	33	Comfor Sys em CAN-Lus Low, o o 06 Comfor Sys em CAN-eus Low Connec ion 1 (in main wiring harness)	51	CAN- us power rain, High o A38 Power rain CAN-nus High connec ion 2 (in main wiring harness)
16	LIN-lus, o n699 LIN-gus Connec ion (in main wiring harness) la ery Moni oring Con rol Module - 367 - Genera or (GEN) -C-	3	LIN-eus, o S eering column elec ronics con rol module - 527-	52	
17	oerminal 15, from - 50 Connec ion 1 (PDC) in main wiring harness Luse Carrier -Si - in fuse panel n -S -	35		53	
18	Lerminal 30, from use Carrier 5 -Sn5- in fuse panel - -S -	36	Diagnos ic connec ion -r31-	5	Ground, o 79 Ground connec ion on lef -pillar

¹⁾ nnly models wi h All wheel drive con rol module - 92-

²⁾ Inly models wi hou all wheel drive con rol module - 92-

³⁾ nly models wi hou Drive rain con rol module - 775- and wi hou Driver assis ance sys ems from camera -R2 2-

⁴⁾ nly models wi hou Drive rain con rol module - 775- and wi h Driver assis ance sys ems from camera -R2 2-

⁵⁾ 6nly models wi h Drive rain con rol module - 775-

Back to overview → Chapter)

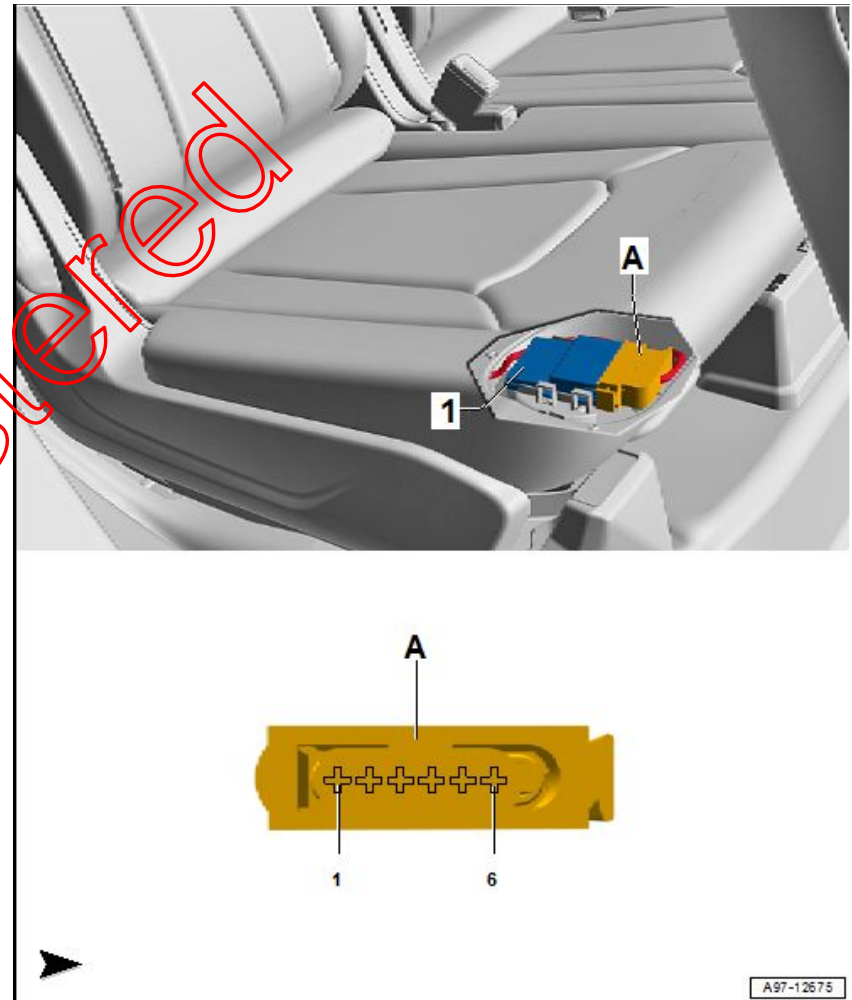
Fuel Pump (FP) Control Module -J538-

Component Location

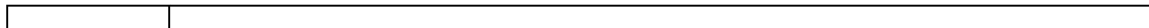
Below rear seat on fuel tank .

1 - Fuel Pump (FP) Control Module -J538-

A - 6-Pin Connector -T6s- , black



Pin Arrangements



-T6s- (A)	Designation
1	ransfer uel Pump (P) -G6-
2	ransfer uel Pump (P) -G6-
3	ransfer uel Pump (P) -G6-
4	<input type="checkbox"/> Terminal 31, to 48 Ground connection (in fuel tank wiring harness) Fuel delivery unit coupling point -IKfE- 378 Ground Connection 13 (in main wiring harness) 62 Ground Connection (on right C-pillar)
5	Terminal 87 from fuel delivery unit coupling point - K-E- <input type="checkbox"/> Fuse Carrier 1 -Ss1- in fuse panel p -SI-
6	Engine Control Module (ECM) -J623-

[Back to overview](#) → [Chapter](#) □

Selector Lever Sensor Control Module -J587-

Component Location

In Selector Lever -E313- in the center console.

1 - Selector Lever Sensor Control Module -J587-

□ In Selector Lever -E313-

A - 10-Pin Connector -T10i- , black

Pin Arrangements

-T10i- (A)	Designation	-T10d- (A)	Designation
1	<input type="checkbox"/> Terminal 3 , from Fuse Carrier 5 -So5- in fuse panel i -Sg-	6	
2		7	
3	Infotainment CAN-bus Low to A17 Infotainment CAN bus low connection (in instrument panel wiring harness)	8	
4	Infotainment CAN-bus High to A178 Infotainment CAN bus high connection (in instrument panel wiring harness)		

5		1	Terminal 31, to 688 Ground Connection 2 (on Center tunnel)
---	--	---	--

[Back to overview](#) → [Chapter 0](#)

Left rear information display control head control module -J648- /Right rear information display control head control module -J649-

Component Location

□ In eacarest frame, front seat left/right.



Note

It's the component location of the left rear information display control head control module -J648- shown. The component location of the right rear information display control head control module -J649- is mirror-inverted.

1 - Rear information display control head control module -J648- /-J649-

- Left rear information display control head control module -J648-
- Right rear information display control head control module -J649-

A - 20-Pin Connector -T20n- /-T20o- , black

- 2 -Pin Connector - 2 n- on Left rear information display control head control module -J648-
- 2 -Pin Connector - 2 o- on Right rear information display control head control module -J649-

Pin Arrangements

-T20n- (A)	Designation	-T20o- (A)	Designation
1		11	
2		12	
3	Multimedia display unit 4 Trac-et -R316-	13	
4	Multimedia display unit 4 Trac-et -R316-	14	
5	Multimedia display unit 4 Trac-et -R316-	15	
6	Multimedia display unit 4 Trac-et -R316-	16	

			CAN ius, Control Module for Information Electronics 1 Low, to E148 Connection 2 (CAN ius, Control Module for Information Electronics 1, Low)
7	Multimedia display unit 4 Trac-et -R316-	17	Terminal 3 , from (use Carrier 3 -S 3- in fuse panel a -Sn-
8		18	CAN ius, Control Module for Information Electronics 1 High, to E146 Connection 2 (CAN us, Control Module for Information Electronics 1, High)
		1	
1		2	Terminal 31, to 72 Ground connection on left p-pillar

[Back to overview](#) → [Chapter 0](#)

Pin Arrangements

-T20o- (A)	Designation	T20o- (A)	Designation
1	Coding line to contact 2 on connector -42 o-	11	
2	Coding line to contact 1 on connector -42 o-	12	
3	Multimedia display unit 3 Trac-et -R315-	13	
4	Multimedia display unit 3 Trac-et -R315-	14	
5	Multimedia display unit 3 Trac-et -R315-	15	
6	Multimedia display unit 3 Trac-et -R315-	16	CAN ius, Control Module for Information Electronics 1 Low, to E148 Connection 2 (CAN us, Control Module for Information Electronics 1, Low)
7	Multimedia display unit 3 Trac-et -R315-	17	Terminal 3 , from (use Carrier 3 -S 3- in fuse panel a -Sn-
8		18	CAN ius, Control Module for Information Electronics 1 High, to E146 Connection 2 (CAN us, Control Module for Information Electronics 1, High)
		1	
1		2	Terminal 31, to 72 Ground connection on right p-pillar

[Back to overview](#) → [Chapter](#) [

Chip card reader control module -J676-

Component Location

At the top of the glove compartment.

1 - Chip Card Reader Control Module -J676-

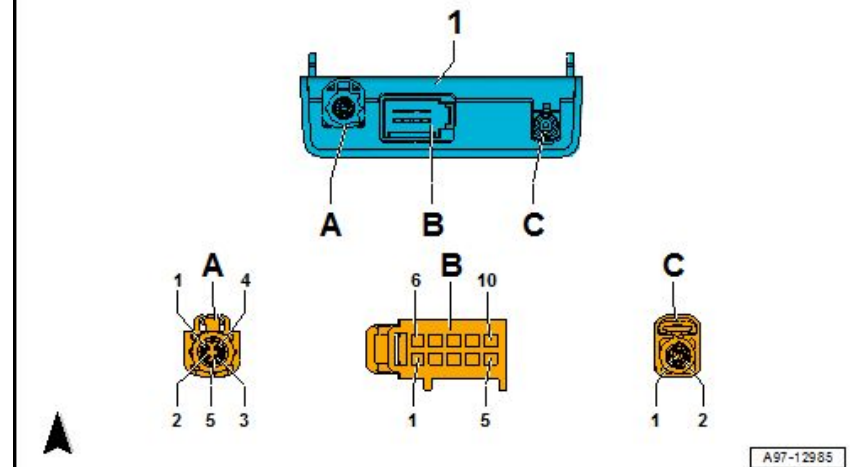
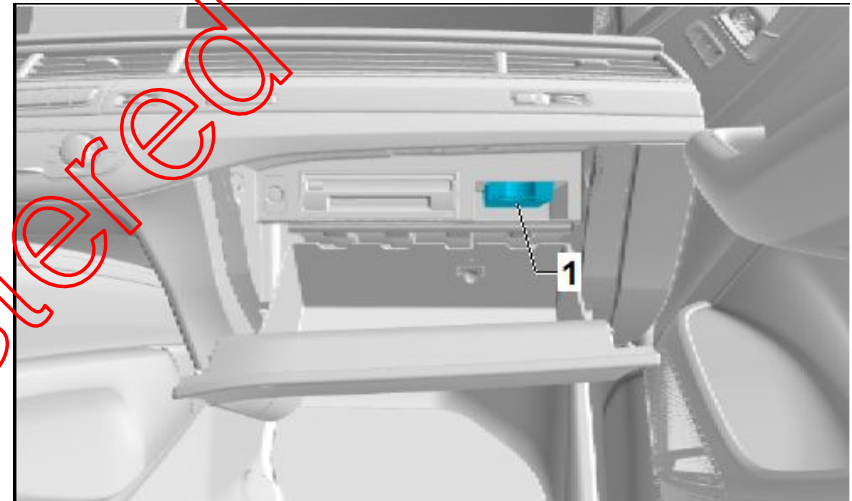
A - 5-Pin Connector -T4eg- , brown

- to EGternal audio source connection -R1 -

B - 10-Pin Connector -T10u- , black

C - Double Connector -T2in- , yellow

- from Close Range Communication Antenna -R26 -



Pin Arrangements

-T10u- (A)	Designation	-T10u- (A)	Designation
1	Traffic Data Antenna -R173-	6	Control Module for Information Electronics 1 -J794-
2	Traffic Data Antenna -R173-	7	Traffic Data Antenna -R173-
3	Traffic Data Antenna -R173-	8	Traffic Data Antenna -R173-
4	Traffic Data Antenna -R173-	9	Terminal 30, from fuse panel C -SC-
5		10	Terminal 31, to 752 Ground Connection 3 (on right A-pillar) ¹⁾ 687 Ground Connection 1 (on center tunnel) ²⁾

¹⁾ Left-Hand Drive

²⁾ Right-hand drive

Back to overview → **Chapter**)

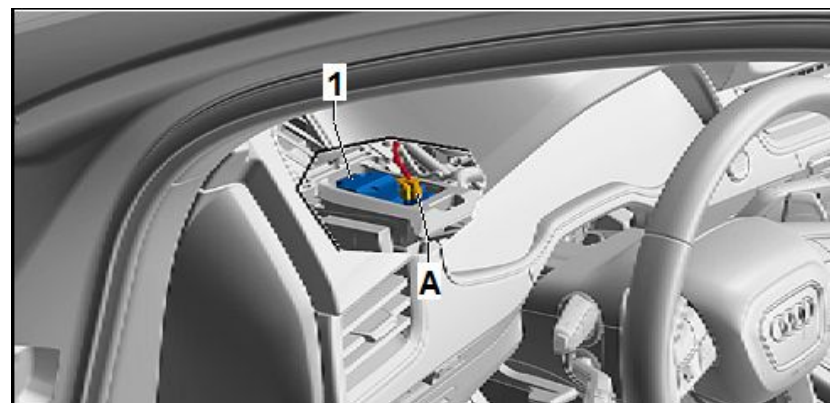
Electronic steering column lock control module -J764-

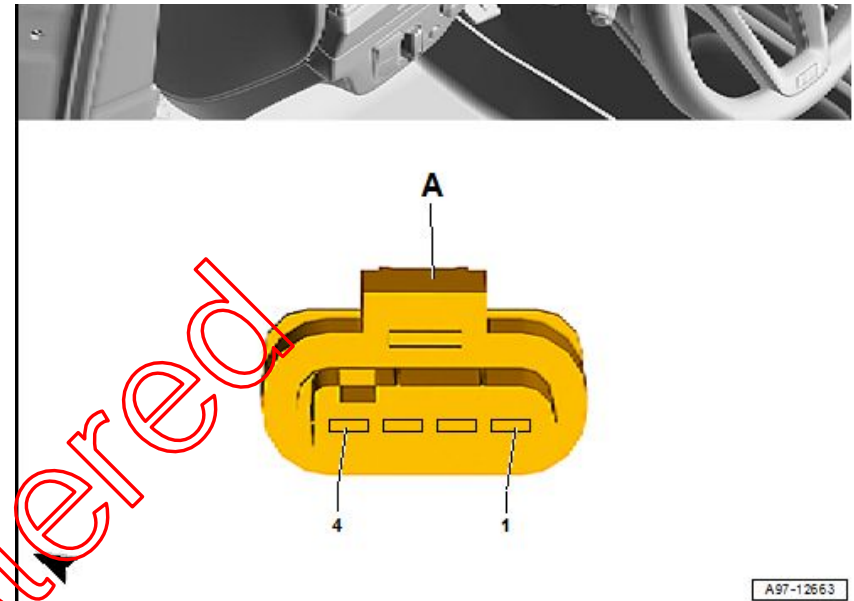
Component Location

On steering column.

1 - Electronic Steering Column Lock Control Module -J764-

A - 4-Pin Connector -T4r-





Pin Arrangements

-T4r- (A)	Designation
1	CAN-bus Comfort High, from Coupler point on left A-pillar, to from -TALe- <input type="checkbox"/> 398 Comfort System CAN-bus High Connection 2 (in main wiring harness) <input type="checkbox"/> 402 Comfort System CAN-bus High Connection 6 (in main wiring harness) <input type="checkbox"/> 397 Comfort System CAN-bus High Connection 1 (in main wiring harness) Data Custom Diagnostic Interface -J533-
2	CAN-bus Comfort Low, from Connector station, on left lower A-pillar -TALI- <input type="checkbox"/> 407 Comfort System CAN-bus Low Connection 2 (in main wiring harness) <input type="checkbox"/> 411 Comfort System CAN-bus Low Connection 6 (in main wiring harness) <input type="checkbox"/> 406 Comfort System CAN-bus Low Connection 1 (in main wiring harness) Data Custom Diagnostic Interface -J533-
3	Terminal 30, from Fuse Panel C -SC-
4	<input type="checkbox"/> Terminal 31, to 44 Ground Connection (on left lower A-pillar) ¹⁾ 752 Ground connection 3 on right A-pillar ²⁾

1) Left-Hand Drive

2) Right-hand drive

Back to overview → Chapter)

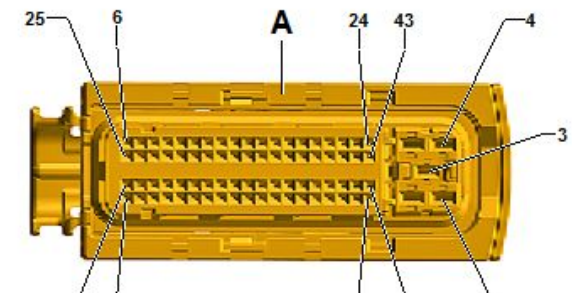
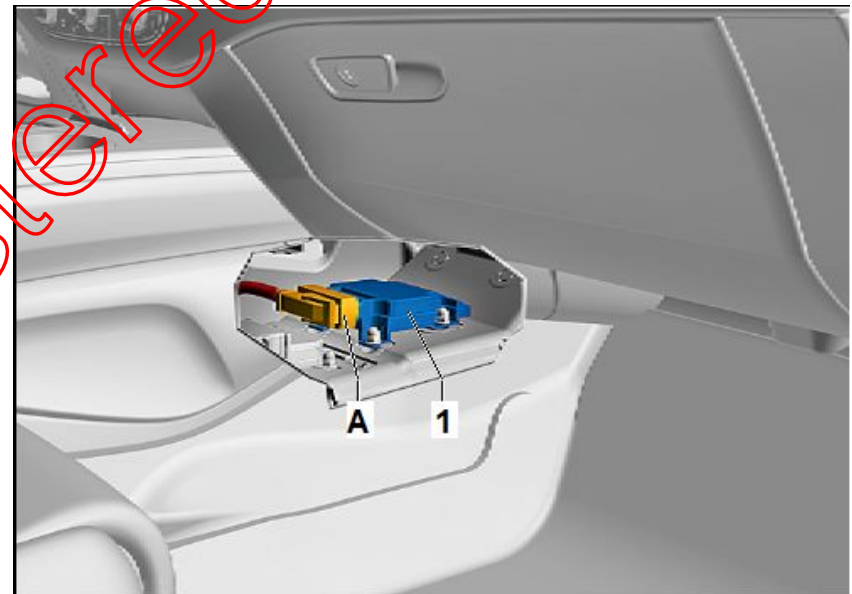
Drivetrain control module -J775-

Component Location

Low front center console on centre tunnel.

1 - Drivetrain control module -J775-

A - 81-Pin Connector -T81a- , black





Pin Arrangements

-T81a-(A)	Designation	-T81a-(A)	Designation	-T81a-(A)	Designation
1	Terminal 30, from fuse Carrier 1 -SR1- in fuse panel -Sh-	28	Loadin sill lowerin control head -E682- Load Level utton -E539-	55	
2		29	Ground, to Loadin sill lowerin control head -E682- Load Level utton -E539-	56	
3		30		57	
4		31	Right front Level Control Sensor -G289-	58	
5	Terminal 31, to 602 Ground Connection (in front left footwell)	32	Left Rear Level Control System Sensor -G76-	59	Level Control System Solenoid -N111-
6	CAN-bus suspension sensor High, from 663 Suspension sensor CAN bus high connection (in main wiring harness)	33	Adaptive suspension valve Hloc, -No7- Right Rear Suspension Strut Valve -N151-	60	
7		34	Right front Level Control Sensor -G289-	61	
8	Adaptive suspension valve Hloc, -No7- Level Control Pressure Sensor -G291-	35	Adaptive suspension valve Hloc, -No7- Left Rear Suspension Strut Valve -N150-	62	Terminal 15, from T281 Positive connection 5 (15a) in main wiring harness Vehicle Electrical System Control Module -J519-
9	Left Front Level Control System Sensor -G78-	36	Level Control Pump temperature Sensor -G290-	63	VleiRay-Eus, to Driver assistance systems front camera -R242- ¹⁾ or to Steering column electronics control module -J527- ²⁾
10	Left front Level Control System Sensor -G78-	37	Adaptive suspension valve Hloc, -No7- Left front Suspension Strut Valve -N148-	64	VleiRay-Eus, to Driver assistance systems front camera -R242- ¹⁾ or to Steering column electronics control module -J527- ²⁾

11	Left front Level Control System Sensor - G78-	38		65	
12	Right front Level Control Sensor -G289-	39		66	
13	Left Rear Level Control System Sensor - G76-	40		67	Load level lowering control head -E682- Load Level button -E539-
14	Left Rear Level Control System Sensor - G76-	41		68	Right Rear Dampening Adjustment Valve -N339-
15		42		69	Right Rear Dampening Adjustment Valve -N339-
16	Level Control Pump temperature Sensor -G290-	43		70	
17	Right Rear Level Control System Sensor -G77-	44	oleeRay-nus, from Data Suspension-board Diagnostic Interface -J533-	71	Load level lowering control head -E682- Load Level button -E539-
18	Right Rear Level Control System Sensor -G77-	45	oleeRay-nus, from Data Suspension-board Diagnostic Interface -J533-	72	Left Rear Dampening Adjustment Valve -N338-
19	Right Rear Level Control System Sensor -G77-	46		73	Left Rear Dampening Adjustment Valve -N338-
20		47		74	
21		48		75	Adaptive suspension valve Hloc, -No7- Right front Suspension Strut Valve -N149-
22		49	Load level lowering control head -E682- Load Level button -E539-	76	Right front Dampening Adjustment Valve -N337-
23		50		77	Right front Dampening Adjustment Valve -N337-
24		51		78	Level Control System Solenoid -N111-
25	CAN-bus suspension sensor Low, from 0664 Suspension sensor CAN bus low connection (in main wiring harness)	52		79	Level Control System Solenoid -N111-
26	Adaptive suspension valve Hloc, -No7- Level Control Pressure Sensor -G291-	53	Adaptive suspension valve Hloc, -No7- Level Control Accumulator Valve -N311-	80	Left front Dampening Adjustment Valve -N336-
27		54		81	

Adaptive suspension valve loc -No7- Level Control Pressure Sensor -G291-	Adaptive suspension valve loc -No7- Left front Suspension Strut Valve -N148 - Right Front Suspension Strut Valve - N149- Left Rear Suspension Strut Valve -N150- Right Rear Suspension Strut Valve - N151- Level Control Accumulator Valve -N311-	Left front Dampening Adjustment Valve -N336-
---	---	---

¹⁾ only models with Driver assistance systems front camera -R242-

²⁾ only models without Driver assistance systems front camera -R242-

Back to overview → **Chapter**

Control Module for Information Electronics 1 -J794-

Component Location

In glove compartment

1 - Control Module for Information Electronics 1 -J794-

A - Double Connector -T2jh- , bordeaux-purple

- ❑ Antenna connection 2MoS/GSM from telephone antenna -R65- in the Roof antenna -R216-
- ❑ Installation is equipment-dependent

A - 4-Pin Connector -T4et- , bordeaux -purple

- ❑ Antenna connection LnE/rMaS/GSM from LnE antenna 2 -R306-
- ❑ one component together with -Q-
- ❑ Installation is equipment-dependent

B - Double Connector -T2is- , black/Double Connector -T2it- , brown

- ❑ except aSAi Antenna connection DAi (laca -o2is-) from Antenna amplifier 2 -R111- digital radio antenna -R183-
- ❑ only tSAS Antenna connection SAD (rown - 2it-) from Satellite tuner antenna -R172- in the Roof antenna -R216-
- ❑ Installation is equipment-dependent

C - □ uad-connector

D - 8-Pin Connector -T8i- , black

E - 12-Pin Connector -T12n- , grey

F - 12-Pin Connector -T12o- , green

12-Pin Connector -T12m- , blue

H - 8-Pin Connector -T8i- , brown

J - Double Connector -T2ls- , black

McSr nus

4-Pin Connector -T4fd- , heather violet/blue-grey

to iron information display control head -J685-

MMI radio (I7c) MMI radio plus (I8E)L heather violet

MMI Navigation plus (I8)- elue-grey

L - 4-Pin Connector -T4fb- , curry yellow

to EGternal audio source connection -R199-

M - 4-Pin Connector -T4ef- , yellow-green

to Instrument cluster control module -J285-

Installation is euuipment-dependent

N - 5-Pin Connector -T5bc- , beige

from Peripheral camera control module -J928-

Installation is euuipment-dependent

O - 4-Pin Connector -T4ev- , creme-white

Antenna connection AM/ M from Antenna amplifier -R24- for Antenna -R11-

Antenna connection 2M2 from Antenna amplifier 2 -R111- for Radio antenna 2 -R93-

P - Double Connector -T2jg- , blue

Antenna connection GPS from GPS antenna -R50- in the Roof antenna -R216-

Installation is eTuiPMENT-dependent

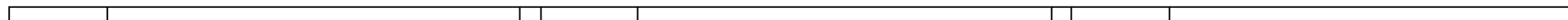
- 4-Pin Connector -T4et- , bordeau -purple

Antenna connection L E from LcE antenna 1 -R297-

one component together with -A-

Installation is eTuiPMENT-dependent

Pin Arrangements



-T8i- (D)	Designation	-T12n- (E)	Designation	-T12o- (F)	Designation
9	Suewoofer -R211-	1	CAN nus Control Module for Information Electronics 1 igh to E145 Connection 1 (CAN us Control Module for Information Electronics 1 igh) Multimedia Control ead -E380- Display pivot mechanism -V 452-	1	EAternal Audio Source Connector -R199-A25-In Ground
10	Center speaDer -R208- /Center spealer 2 -R219-	2	Multimedia Control ead -E380-	2	EAternal Audio Source Connector -R199-Ad--In right
11		3	Ringtreai Diagnosis	3	EAternal Audio Source Connector -R199-S2 5V
12		4		4	EAternal Audio Source Connector -R199-RSg Ground
13	Suewoofer -R211-	5	elephone aseplate -R126- /Amplifier for telephone -R86	5	
14	Center speaaer -R208- /Center speaier 2 -R219-	6	Infotainment CAN-Tus igh from A178 Infotainment CAN-Tus high connection (in instrument panel wiring harness) Connector station on left lower A-pillar -RAL Data bus An ioard Diagnostic Interface -J533-	6	
17	erminal 31 to 752 Ground Connection 3 (on right A-pillar) ¹ 687 Ground Connection 1 (on center tunnel) ²	7	CAN us Control Module for Information Electronics 1 Low to E147 Connection 1 (CAN us Control Module for Information Electronics 1 Low) Multimedia Control ead -E380- Display pivot mechanism -V 452-	7	Elternal Audio Source Connector -R199-Aul-In left
18	oerminal 30 from iuse panel C -SC-	8	Multimedia Control ead -E380-	8	Elternal Audio Source Connector -R199-Ground-shielding
		9		9	
		10		10	
		11	elephone Caseplate -R126-	11	
		12		12	

			Infotainment CAN- us Low from A179 Infotainment CAN uus low connection (in instrument panel wiring harness) Connector station on left lower A-pillar - RAL - Data us en oard Diagnostic Interface -J533-		
--	--	--	--	--	--

1) Left- and Drive

2) Right-hand drive

-T12m- (A)	Designation	-T8i- (H)	Designation
1	Left oront Microphone -R140- ¹⁾ /Data us pn eoard Diagnostic Interface -J533- ²⁾	1	Right Rear ereole Spea-er -R16- /Right Rear cass Speater -R17
2	Right oront Microphone -R141-	2	Right iront reNle Speager -R22- /Right iront ass Speaer -R23-
3		3	Left ront rele Speaer -R20- /Left front ass speaer -R21-
4	Data cus n oard Diagnostic Interface -J533- ²⁾	4	Left Rear trerle Speaer -R14- /Left Rear oass SpeaSer -R15-
5	Data cus n oard Diagnostic Interface -J533- ²⁾	5	Right Rear ereole Spea-er -R16- /Right Rear cass Speater -R17 -
6	Rear View Camera -R189-	6	Right eront ereele Spearer -R22- /Right rront ass Spea-er -R23-
7	Left oront Microphone -R140- ¹⁾ /Data us pn eoard Diagnostic Interface -J533- ²⁾	7	Left ront rele Speaer -R20- /Left front ass speaer -R21-
8	Right oront Microphone -R141-	8	Left Rear trerle Speaer -R14- /Left Rear oass SpeaSer -R15-
9			
10	Data cus n oard Diagnostic Interface -J533- ²⁾		
11			
12	Rear View Camera -R189-		

1) models without Audi connect emergency call & Service (IW0)

2) models with Audi connect emergency call & Service (IW3)

Back to overview → **Chapter**

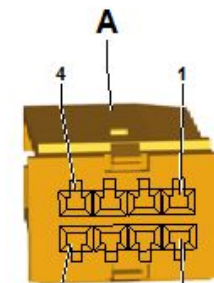
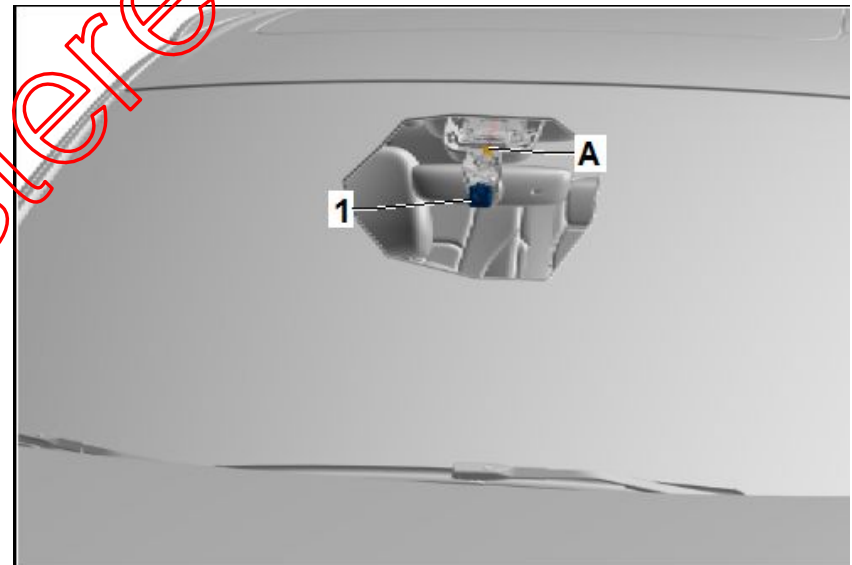
Automatic high beam assist control module -J844-

Component Location

fn interior mirror.

1 - Automatic High Beam Assist Control Module -J844-

A - 8-Pin Connector -T8I- , black





Pin Arrangements

-T8I- (A)	Designation	-T8I- (A)	Designation
1	Terminal 15, from 282 Positive connection 6 (15a) in main wiring harness Use Carrier 4 -Sh4- in fuse panel i -S1-	5	
2	Terminal 31, to 395 Ground Connection 30 (in main wiring harness) 689 Ground Connection (on center/front roof)	6	
3	Electrical System CAN-Bus High, from 670 CAN-Bus Electrical High Connection 3 (in main wiring harness) Data bus network Diagnostic Interface -J533-	7	LIN-Bus, from 549 LIN-Bus Connection 2 (in main wiring harness) Vehicle Electrical System Control Module -J519-
4		8	Electrical System CAN-Bus Low, from 671 CAN-Bus Electrical Low Connection 3 (in main wiring harness) Data bus network Diagnostic Interface -J533-

[Back to overview](#) → [Chapter](#) □

Night vision system control module -J853-

Component Location

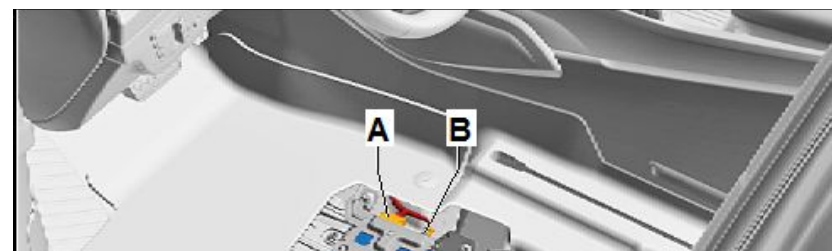
In footwell front left, on the floor panel.

1 - Night vision system control module -J853-

A - 12-Pin Connector -T12g-, black

B - 5-Pin Connector -T5b-, black

- to Night vision system camera -R212-





Pin arrangements

-T12g- (A)	Designation	-T12g- (A)	Designation
1	terminal 31, to 602 Ground Connection (in front left footwell)	7	Elten e System CAN-lus High, from 6670 CAN-uus Etten e High Connection 3 (in main wiring harness) Data ous In foar Diagnostic Interface -J533-
2		8	Elten e System CAN-lus Low, from 671 CAN--us EEten e Low Connection 3 (in main wiring harness) Data ous In foar Diagnostic Interface -J533-
3		9	lemRay- us, to Connector station, on left lower A-pillar -ALn- Instrument Cluster Control Mo ule -J285-
4		10	

			lemRay- us, to Connector station, on left lower A-pillar -ALn- Instrument Cluster Control Module -J285-
5		11	
6	Terminal 15, from n278 Positive connection 2 (15a) in main wiring harness Use Carrier 4 -S(4- in fuse panel r -Ss-	12	

Back to overview → [Chapter 2](#)

Left front seat belt tensioner control module -J854- / Right front seat belt tensioner control module -J855-

Component Location

in belt retractor in a-pillar.

1 - Front seat belt tensioner control module -J854- /-J855-

A - 5-Pin Connector -T5ce- /-T5cf- , natural

- 5-Pin Connector -n5ce- on Left front seat belt tensioner control module -J854-
- 5-Pin Connector -n5cf- on Right front seat belt tensioner control module -J855-

Pin arrangements

-T5ce- (A)	Designation	-T5cf- (A)	Designation
1		1	
2	Comfort System CAN-sus Low, from 409 Comfort System CAN-sus Low Connection 4 (in main wiring harness) Airtag Control Module -J234-	2	Comfort System CAN-sus Low, from 409 Comfort System CAN-sus Low Connection 4 (in main wiring harness) Airtag Control Module -J234-
3	Comfort System CAN-sus High, r400 Comfort System CAN-Cus High Connection 4 (in main wiring harness) Airtag Control Module -J234-	3	Comfort System CAN-sus High, r400 Comfort System CAN-Cus High Connection 4 (in main wiring harness) Airtag Control Module -J234-
4	Terminal 30, from nuse Carrier 1 -Sn1- in fuse panel -Sn-	4	Terminal 30, from nuse Carrier 3 -Sn3- in fuse panel -Sn-
5	Terminal 31, to 79 Ground connection on left t-pillar	5	Terminal 31, to 720 Ground connection on right p-pillar

[Back to overview](#) → [Chapter](#) □

Power adjustable steering column control module -J866-

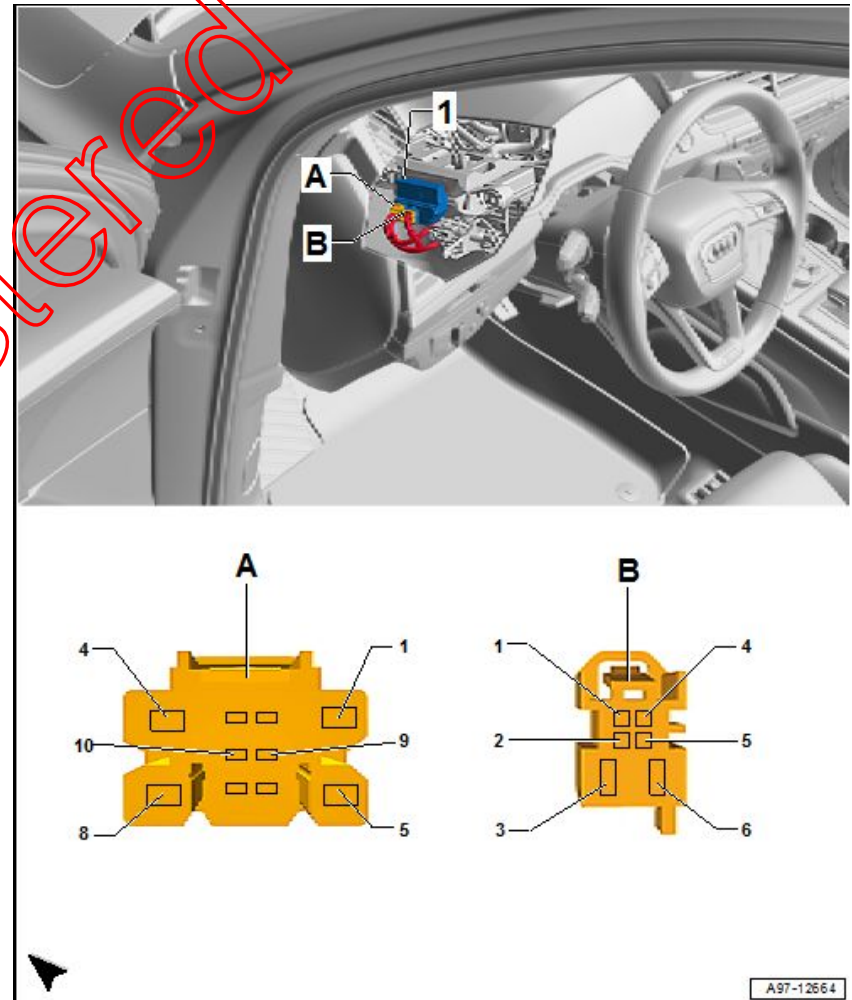
Component Location

fn steering column.

1 - Power Adjustable Steering Column Control Module -J866-

A - 10-Pin Connector -T10- , red

B - 6-Pin Connector -T6a- , brown



Pin Arrangements

-T10- (A)	Designation	-T6a- (B)	Designation
1	Steering Column A justment Motor (vertical) -V123- /Steering column forward adjustment motor -V124-	1	Steering Column A justment Switch -E167-
2		2	
3		3	Terminal 31, to 44 Ground Connection (on left lower A-pillar) ¹⁾ 752 Ground connection 3 on right A-pillar ²⁾
4	Steering Column A justment Motor (anial) -V124-	4	Steering Column A justment Switch -E167-
5	Steering Column A justment Motor (vertical) -V123-	5	LIN-bus, from Vehicle Electrical System Control Module -J519-
6	Steering Column Vertical A justment Sensor -G357-	6	Terminal 30, from fuse Panel C -SC-
7	Steering Column Vertical A justment Sensor -G357-		
8			
9	Steering Column Aerial A justment Sensor -G358-		
10	Steering Column Aerial A justment Sensor -G358-		

¹⁾ Left-Hand Drive

²⁾ Right-hand drive

[Back to overview](#) → [Chapter](#))

Seat heating control module -J882-

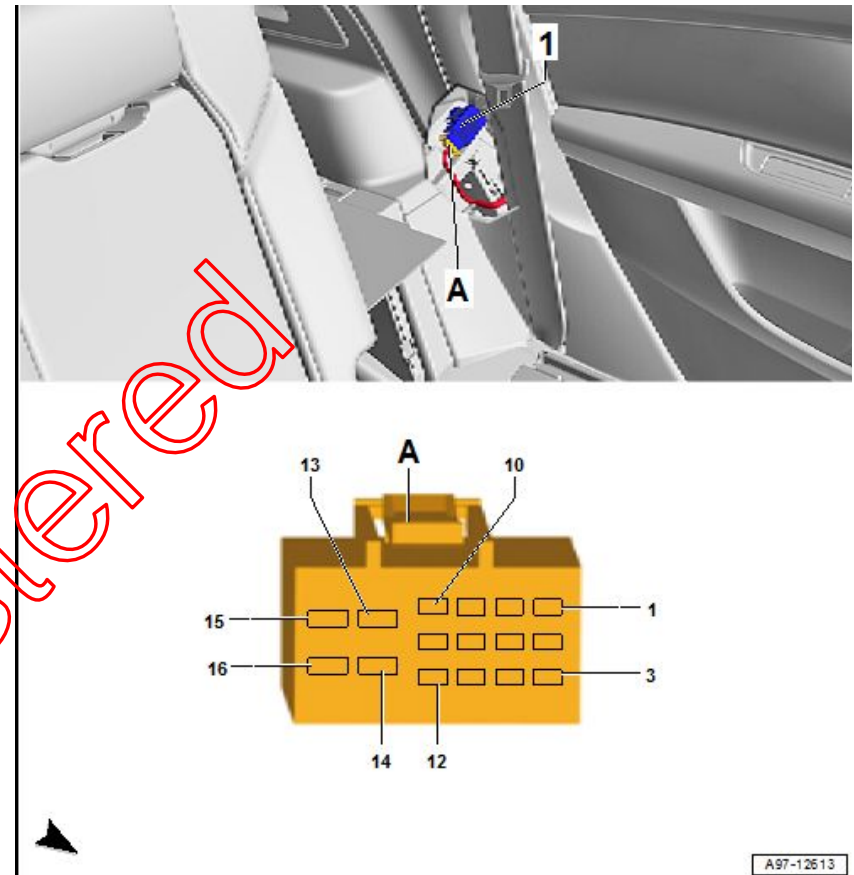
Component Location

on C-pillar, left, under wheel housing liner.

1 - Seat Heating Control Module -J882-

A - 16-Pin Connector -T160- , black





Pin Arrangements

-T16o- (A)	Designation	-T16o- (A)	Designation
1	Left seat heating Tutton -E653-	9	Right Rear Heated Seat demperature Sensor -G95-
2	Left seat heating Tutton -E653-	10	Terminal 31, to 278 Ground connection 4 (in interior wiring harness) 61 Ground Connection (on left C-pillar)
3	Left seat heating Tutton -E653-	11	Vehicle Electrical System Control Module -J519-

4	Right seat heating uutton -E654-	12	Terminal 15, from c282 Positive connection 6 (15a) in main wiring harness Use Carrier 4 -St4- in fuse panel p -Sa-
5	Right seat heating uutton -E654-	13	Terminal 30, from c646 Heated seat connection 3 (in main wiring harness) Use Carrier 1 -St1- in fuse panel p -Sa-
6	Right seat heating uutton -E654-	14	Terminal 30, from c646 Heated seat connection 3 (in main wiring harness) Use Carrier 1 -St1- in fuse panel p -Sa-
7	Left seat heating tutton -E653- /Right seat heating mutton -E654-	15	Right Rear Seat Heating Element -t12- /Right rear nacarest heating element -13-
8	Left Rear Heated Seat temperature Sensor -G94-	16	Left Rear Seat Heating Element -/10- /Left rear iac rest heating element -t11-

Back to overview → [Chapter 6](#)

Windshield projection head up display control module -J898-

Component Location

In drivers instrument panel.

1 - Windshield Projection Head Up Display Control Module -J898-

A - 10-Pin Connector -T10f- , black

Pin Arrangements

-T10f- (A)	Designation	-T10f- (A)	Designation
1	Infotainment CAN-7us High to A178 Infotainment CAN rus high connection (in instrument panel wiring harness) Data nus rn roard Diagnostic Interface -J533-	6	
2	Infotainment CAN-8us Low to A179 Infotainment CAN us low connection (in instrument panel wiring harness) Data nus rn roard Diagnostic Interface -J533-	7	

3		8	
4		9	
5	terminal 30, from fuse Panel C -SC-	10	terminal 31, to 44 Ground Connection (on left lower A-pillar) ¹⁾ 752 Ground connection 3 on right A-pillar ²⁾

1) Left-Hand Drive

2) Right-hand drive

Back to overview → Chapter)

Fuel tank leak detection control module -J909-

Component Location

- on fuel tank front right.

1 - Fuel Tank Leak Detection Control Module -J909-

A - 5-Pin Connector -T5v- , black

Pin arrangements Fuel tank leak detection control module -J909-

-T5v- (A)	Designation
1	Fuel tank Pressure (GrP) Sensor -G400-
2	Engine Control Module (ECM) -J623-
3	Engine Control Module (ECM) -J623-
4	terminal 30, from fuse Carrier 3 -Se3- in fuse panel u -S--
5	Fuel tank Pressure (GrP) Sensor -G400-

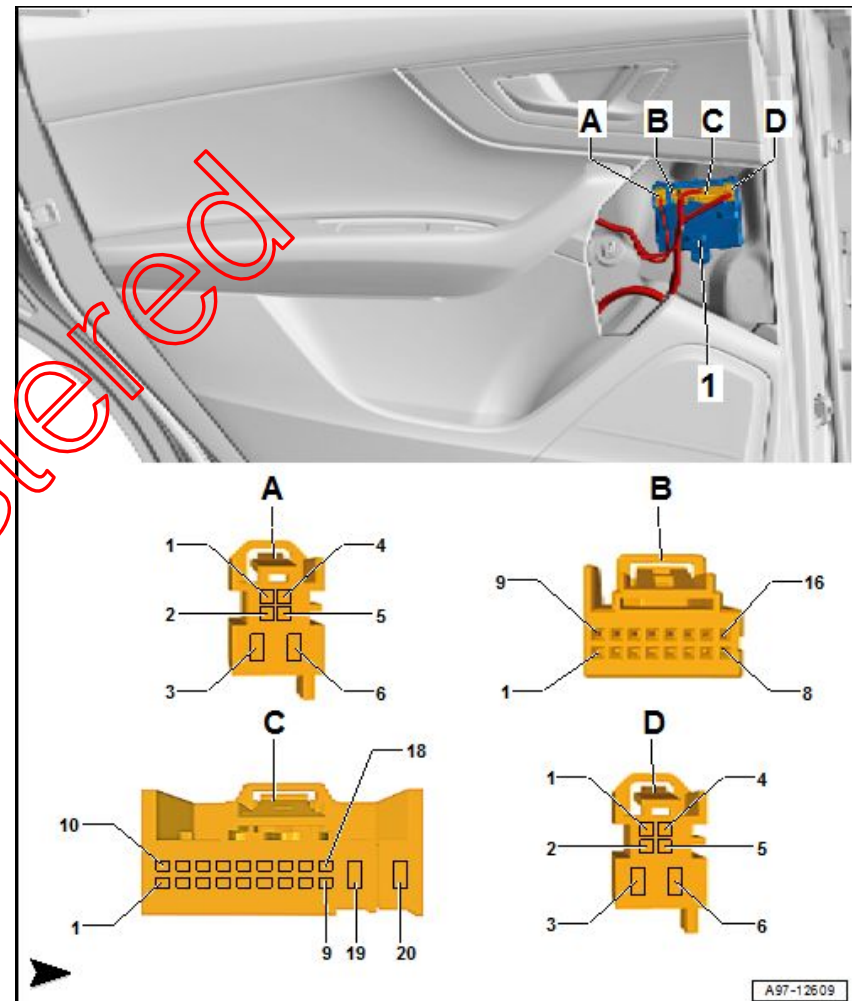
Back to overview → Chapter)

Driver side rear door control module -J926-

Component Location

In rear door, driver's side.

- 1 - Rear Door Control Module, Driver's Side -J926-
- A - 6-Pin Connector -T6ao- , brown
- B - 16-Pin Connector -T16h- , black
- C - 20-Pin Connector -T20k- , white
- D - 6-Pin Connector -T6al- , black



Pin Arrangements

-T6ao- (A)	Designation	-T16h- (B)	Designation
------------	-------------	------------	-------------

1	Driver side rear eiit warning lamp -W113-	1	Driver side rear interior door handle illumination ul -L221-
2		2	Derminal 58s, to R54 Connection 58s (in left rear door wiring harness) Driver side rear power window mutton -E711- Driver side rear interior locving utton -E717-
3		3	to R102 Connection 2 (in left rear door wiring harness) Driver side rear door amrient light lamp -W88- Driver side rear door am ient illumination lamp 2 -W99-
4		4	
5		5	
6		6	
		7	
		8	
		9	Driver side rear power window mutton -E711-
		10	Driver side rear interior loc ing tutton -E717-
		11	Driver side rear interior loc ing tutton -E717-
		12	to R45 Connection 87 (in left rear door wiring harness) Driver side rear entry lamp -W83- Driver side rear door warning lamp -W90-
		13	Ground, to 408 Ground connection 3 (in left rear door wiring harness) Driver side rear power window utton -E711- Driver side rear interior loc ing tutton -E717- Driver side rear interior door handle illumination oul -L221- Driver side rear entry lamp -W83- Driver side rear door amrient light lamp -W88- Driver side rear door warning lamp -W90- Driver side rear door am ient illumination lamp 2 -W99- Driver side rear eiit warning lamp -W113-
		14	
		15	
		16	

-T20k- (C)	Designation	-T6aI- (D)	Designation
1	Driver side rear e terior door ha dle illumi atio lamp -L285-	1	
2	Driver side rear ce tral loci g system actuator --509-	2	
3		3	Rear Wi dow Regulator Motor, Driver s Side -V471-
4	Driver side rear ce tral loci g system actuator --509-	4	
5	Driver side rear ce tral loci g system actuator --509-	5	
6	Driver side rear ce tral loci g system actuator --509-	6	Rear Wi dow Regulator Motor, Driver s Side -V471-
7	Left Rear Closi g Assist Motor -V307-		
8			
9	Driver side rear ce tral loci g system actuator --509- Driver side rear child safety loce motor -V535-		
10	LIN-eus, from Coupli g poi t o left rear door - -HL- Co ector statio o left fro t door - 7VL- Driveras Door Co trol Module -J386-		
11	Driver side rear ce tral loc i g system actuator -H509- Driver side rear child safety loc3 motor -V535- /Driver side rear door ce tral loc i g -SAa - motor -V537- /Driver side rear ce tral locri g system motor -V539-		
12	Driver side rear ce tral loc i g system actuator -H509- Driver side rear door ce tral locsi g -SAc - motor -V537-		
13	Driver side rear ce tral locli g system actuator - 509- Driver side rear ce tral locli g system motor -V539-		
14	Left Rear Closi g Assist Motor -V307-		
15	Driver side rear side sill pa el strip am/ie t lighti g lamp -W105-		
16			
17	Driver side rear ce tral locli g system actuator -9509-		
18			
19	□ermi al 30, from R31 Co ectio 1 (i left rear door wiri g har ess)		

	Co ector statio o rear left door - eHL- use Carrier 3 -Se3- i fuse pa el - -S3-		
20	ermi al 31, to 207 Grou d co ectio (i left rear door wiri g har ess) Co ector statio o rear left door - eHL- 379 Grou d Co ectio 14 (i mai wiri g har ess) 79 Grou d Co ectio (o left l-pillar)		

[Back to overview](#) → **Chapter 0**

Passenger side rear door control module -J927-

Component Location

I rear door, fro t passe gerr's side.

1 - Rear Front Passenger's Door Control Module -J927-

A - 6-Pin Connector -T6ap- , brown

B - 16-Pin Connector -T16i- , black

C - 20-Pin Connector -T20I- , white

D - 6-Pin Connector -T6am- , black

Pin Arrangements

-T6ap- (A)	Designation	-T16i- (B)	Designation
1	Passenger side rear elit war i g lamp -W114-	1	Passenger side rear i terior door ha dle illumi atio sulh -L222-
2		2	ermi al 58s, to R55 Co ectio 58s (i right rear door wiri g har ess) Passenger side rear power wi dow outto - 713- Passenger side rear i terior loc i g tutto - 718-
3		3	to R91 Co ectio 3 (i right rear door wiri g har ess) i ro t passe ger side rear door amrie t light lamp -W89- ro t passe ger side rear door am ie t illumi atio lamp 2 - W100-
4		4	

5		5	
6		6	
		7	
		8	
		9	Passe ger side rear power wi dow outto - 713-
		10	Passe ger side rear i terior loc i g tutto - 718-
		11	Passe ger side rear i terior loc i g tutto - 718-
		12	to R46 Co ection 87 (i right rear door wiri g har ess) Passe ger side rear e try lamp -W84- Passe ger side rear door war i g lamp -W91-
		13	Grou d, 409 Grou d co ection 3 (i right rear door wiri g har ess) Passe ger side rear power wi dow outto - 713- Passe ger side rear i terior loc i g tutto - 718- Passe ger side rear i terior door ha dle illumi atio sulh -L222- Passe ger side rear e try lamp -W84- i ro t passe ger side rear door amaie t light lamp -W89- Passe ger side rear door war i g lamp -W91- <input type="checkbox"/> i ro t passe ger side rear door am ie t illumi atio lamp 2 - W100- Passe ger side rear eoit war i g lamp -W114-
		14	
		15	
		16	

-T20I- (C)	Designation	-T6am- (D)	Designation
1	Passe ger side rear e terior door ha dle illumi atio lamp -L286 -	1	
2	Passe ger side rear ce tral loc9i g system actuator - 510-	2	
3		3	Passe ger side rear wi dow regulator motor -V472-
4	Passe ger side rear ce tral loc9i g system actuator - 510-	4	

5	Passe ger side rear ce tral loc9i g system actuator - 510-		5	
6	Passe ger side rear ce tral loc9i g system actuator - 510-		6	Passe ger side rear wi dow regulator motor -V472-
7	Right Rear Closi g Assist Motor -V308-			
8				
9	Passe ger side rear ce tral loc9i g system actuator - 510- Passe ger side rear child safety loc motor -V536-			
10	LIN-rus, from Coupli g poi t o right rear door -J8HR- Co ector statio o right fro t door -W1VR- Cro t Passe geros Door Co trol Module -J387-			
11	Passe ger side rear ce tral loc9i g system actuator - 510- Passe ger side rear child safety loce motor -V536- /Passe ger side rear door ce tral locsi g -SAo - motor -V538- /Passe ger side rear ce tral locri g system motor -V540-			
12	Passe ger side rear ce tral loc9i g system actuator - 510- Passe ger side rear door ce tral loc i g -SAi - motor -V538-			
13	Passe ger side rear ce tral loc9i g system actuator - 510- Passe ger side rear ce tral locai g system motor -V540-			
14	Right Rear Closi g Assist Motor -V308-			
15	Pro t passe ger side rear side sill pa el strip amiie t lighti g lamp -W104-			
16				
17	Passe ger side rear ce tral loc9i g system actuator - 510-			
18				
19	sermi al 30, from R32 Co ectio 2 (i right rear door wiri g har ess) Co ector statio o rear right door - -HR- □use Carrier 3 -Se3- i fuse pa el - -S3-			
20	Permi al 31, to 208 Grou d co ectio (i right rear door wiri g har ess) Co ector statio o rear right door - 7HR- 381 Grou d Co ectio 16 (i mai wiri g har ess) 720 Grou d Co ectio (o right e-pillar)			

[Back to overview](#) → [Chapter](#) □

Driver side ionioer -J1105-

Component Location

□ ce tral tuoe for i strume t pa el left, eehi d driverrs i strume t pa el cover.

1 - Driver-side ioniser -J1105-

A - 6-Pin Connector -T6b- , black

Pin Arrangements Driver side ionioer -J1105-

-T6b- (A)	Designation
1	□ermi al 30, from A68 A/C system co ectio (30) (i i strume t pa el wiri g har ess)
2	□ermi al 31, to 44 Grou d Co ectio (o left lower A-pillar) ¹⁾ 752 Grou d co ectio 3 o right A-pillar ²⁾
3	LIN-ius, to A227 LIN fus co ectio 2 (i i strume t pa el wiri g har ess)
4	Driver side io i er tutto - 830-
5	Driver side io i er tutto - 830-
6	Driver side io i er tutto - 830-

¹⁾ Left-Ha d Drive

²⁾ Right-ha d drive

[Back to overview](#) → [Chapter](#))

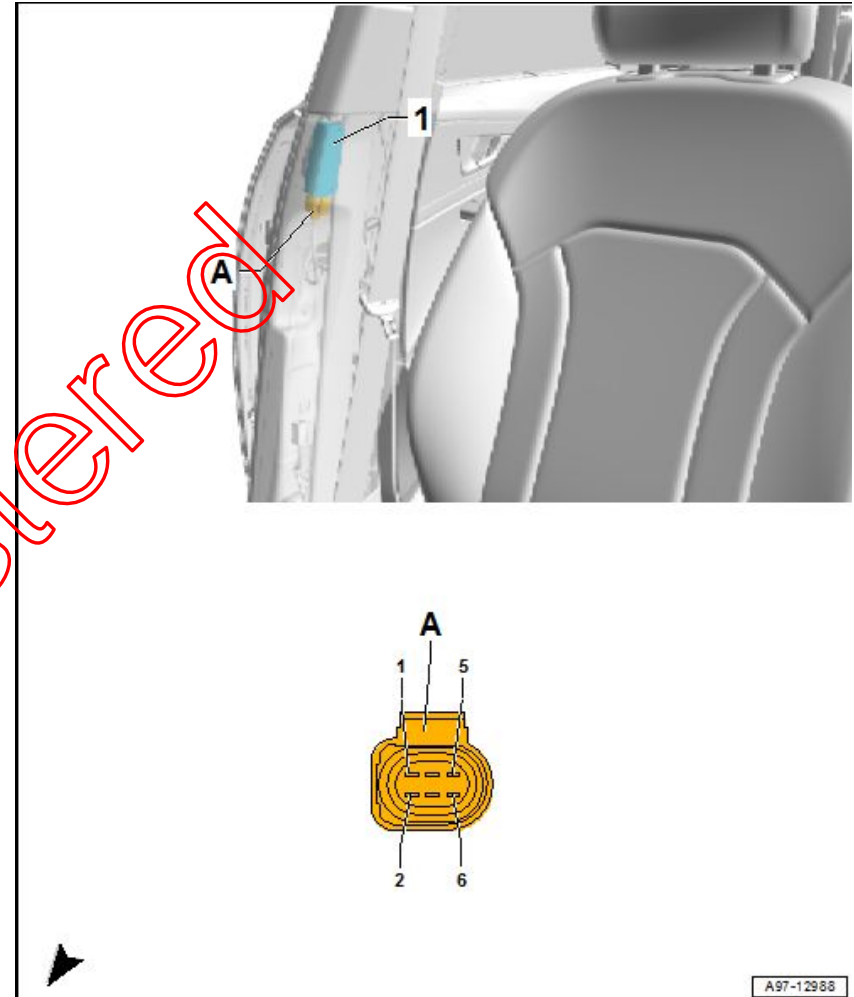
Front passenger side rear ionihier -J1108-

Component Location

□ In central tunnel or instrument panel left, behind driver's instrument panel cover.

1 - Driver-side ioniser -J1105-

A - 6-Pin Connector -T6k-, black



Pin Arrangements

-T6k- (A)	Designation
1	Terminal 15, from 278 Positive connection 2 (15a) in main wiring harness
2	Terminal 31, to 720 Ground connection on right r-pillar

3	Rear A/C Display Control Head -E265-
4	Front passenger side rear ioniaer wutton -E833-
5	Front passenger side rear ioniaer wutton -E833-
6	Front passenger side rear ioniaer wutton -E833-

[Back to overview](#) → [Chapter](#) □

Electric drive power and control electronics -JX1-

Component Location

in under body, left front, next to automatic transmission.

1 - Electric Drive Power and Control Electronics -JX1-

- with Voltage converter -A19-, Drive Motor Inverter -A37- and Electrical drive control module -J841-

2 - Drive Motor High Voltage Cable 3 -P6-

3 - Drive Motor High Voltage Cable 2 -P5-

4 - Drive Motor High Voltage Cable 1 -P4-

5 - Electrical A/C Compressor High Voltage Cable -P3-

6 - Hybrid Battery High Voltage Cable, Positive Terminal -P1-

7 - Hybrid Battery High Voltage Cable, Negative Terminal -P2-

A - 28-Pin Connector -T28a-, black

Pin Arrangements

-T28a- (A)	Designation	-T28a- (A)	Designation
53	Data-bus Wire (HlehRay-tus), from Data bus in road Diagnostic Interface -J533-	67	
54	Data-bus Wire (HlehRay-tus), from Data bus in road Diagnostic Interface -J533-	68	CAN-bus Hybrid High, to 776 Hybrid CAN bus high connection 1 (in main wiring harness)
55	Pilot line to contact 80 on connector -728a-	69	Drive motor temperature sensor -G712-
56		70	
57		71	Terminal 15, from use Carrier 4 -Sn4- in use panel - -SI-

58	Terminal 30, from use Carrier 4 -Sn4- in use panel - -SI-	72	
59	Terminal 31, to 79 Ground connection on left -pillar	73	
60		74	
61		75	CAN-bus Hybrid Low, to 777 Hybrid CAN bus low connection 1 (in main wiring harness)
62	Drive motor temperature sensor -G712-	76	Drive motor rotor position sensor 1 -G713-
63		77	Drive motor rotor position sensor 1 -G713-
64		78	Drive motor rotor position sensor 1 -G713-
65		79	Drive motor rotor position sensor 1 -G713-
66		80	Pilot line to contact 55 on connector -128a-

[Back to overview](#) → **Chapter 0**

Driver assistance systems front camera -R242-

Component Location

Near interior mirror.

1 - Driver assistance systems front camera -R242-

□ with Window detector or front sensor system -113-

A - 12-Pin Connector -T12c- , black

Pin arrangements

-T12c- (A)	Designation	-T12c- (A)	Designation
1	Extended System CAN-bus Low, to r109 CAN-bus Extended Low Connection 1 (in main wiring harness) Vehicle Electrical System Control Module -J519- -front Left Headlamp -Mh1-	7	Extended System CAN-bus High, to n108 CAN-bus Extended High Connection 1 (in main wiring harness) Vehicle Electrical System Control Module -J519- -front Left Headlamp -Mh1-
2		8	Steering Column Electronic Systems Control Module -J527-

	□lesRay-rus, rom Data tus n coard Dia nostic Inter ace - J533- ¹⁾ or Drivetrain control module -J775- ²⁾		
3	□lesRay-rus, rom Data tus n coard Dia nostic Inter ace - J533- ¹⁾ or Drivetrain control module -J775- ²⁾	9	□lemRay- us, to Connector station, on le t lower A-pillar -□AL8-Steerin Column Electronic Systems Control Module -J527-
4		10	
5	ierminal 31, to 395 Ground Connection 30 (in main wirin harness) 689 Ground Connection (on center/ ront roo)	11	
6	□erminal 15, rom nuse Carrier 4 -So4- in use panel I -S -	12	

¹⁾ Only models without Drivetrain control module -J775-

²⁾ Only models with Drivetrain control module -J775-

Back to overview → Chapter)

Three-phase current drive -VX54-

Component Location

Inte rated in automatic transmission, ront.

1 - Three-Phase Current Drive -VX54-

- with Drive motor temperature sensor -G712-, Drive motor rotor position sensor 1 -G713- and Electro-drive drive motor -V141-

2 - Drive Motor High Voltage Cable 1 -P4-

3 - Drive Motor High Voltage Cable 2 -P5-

4 - Drive Motor High Voltage Cable 3 -P6-

A - Double Connector -T2ns-, black

- to Electric drive power and control electronics -J71-

B - 4-Pin Connector -T4hk-, black

- to Electric drive power and control electronics -J71-

[Back to overview](#) → [Chapter](#) [

UnRegistered