
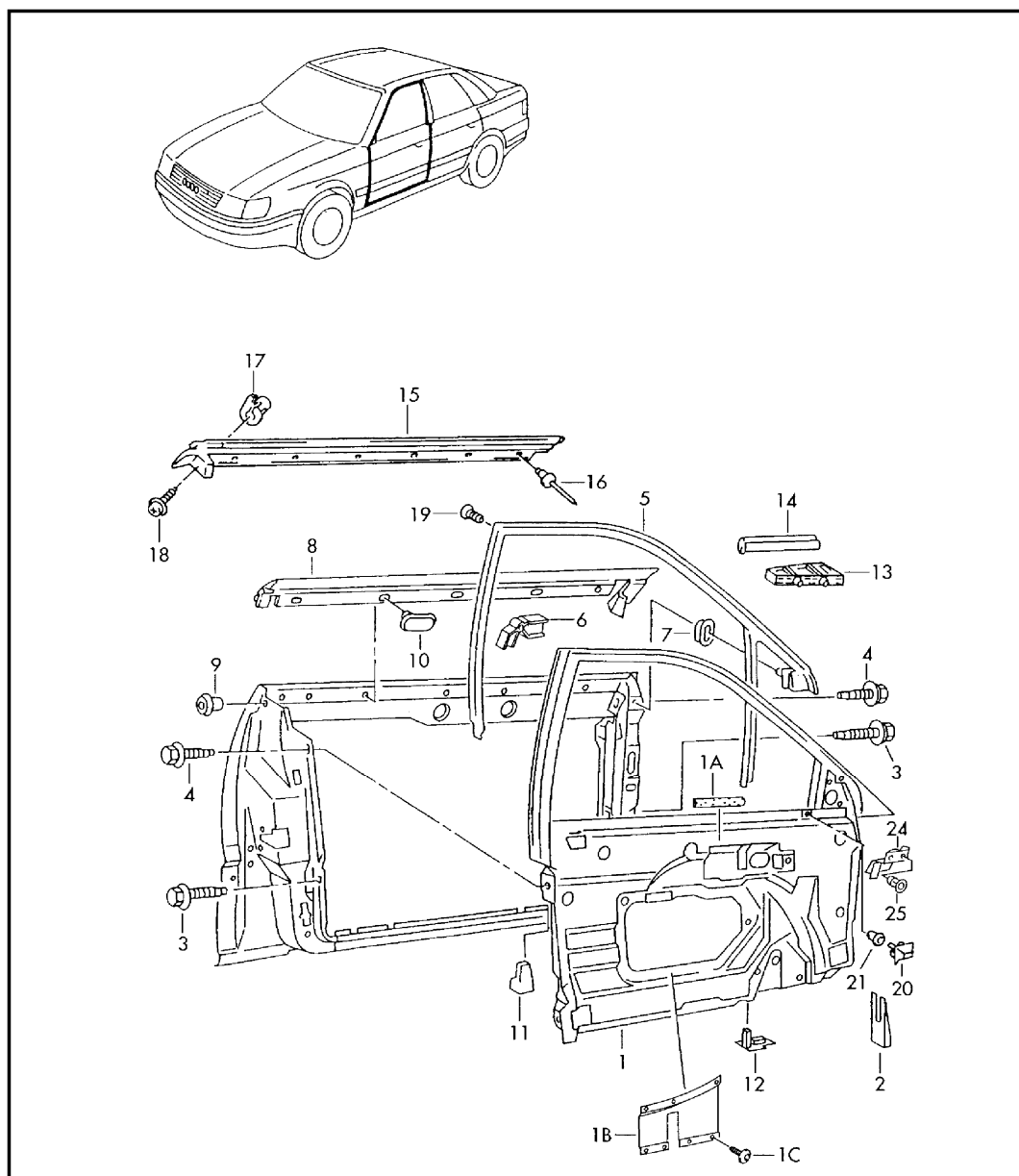


Model	Year	MG	SG	Illustration	Restrictions	UPD	9:40	25.07.201		ETKA
A4Q	2001	8	37	837-40		840	USA			



Pos	Part Number	Name	Remarks	Qty	Model
		door inner panel with door window frame	front		
1	8D0 837 753 C	door inner panel with door window frame	left	1	
		as required use:	8D0 837 529 B	2	
	02/99-09/0103C	rally black			
(1)	8D0 837 754 C	door inner panel with door window frame	right	1	
		as required use:	8D0 837 529 B	2	
	02/99-09/0103C	rally black			
1A	8D0 837 529 B	buffer (self-adhesive)	40X11X5,5	X	
2	8D0 837 153	adjustment wedge		2	
3	4B0 845 643	screw, hex. hd.	M8X31,5 lower	4	
4	N 907 515 01	oval hexagon socket head bolt	M8X25 upper	4	
		also use:	N 012 209 3	4	
-	N 012 209 3	washer	9X16X2	4	
5	8D0 837 439 L	glass channel	left	1	AVANT sedan
		F >> 8D-Y-089 588*		1	
		F >> 8D-Y-113 856*		1	
(5)	8D0 837 439 J	glass channel	left	1	AVANT sedan
		F 8D-Y-089 589>>*		1	
		F 8D-Y-113 857>>*		1	
(5)	8D0 837 440 L	glass channel	right	1	AVANT sedan
		F >> 8D-Y-089 588*		1	
		F >> 8D-Y-113 856*		1	
(5)	8D0 837 440 J	glass channel	right	1	AVANT sedan
		F 8D-Y-089 589>>*		1	
		F 8D-Y-113 857>>*		1	