
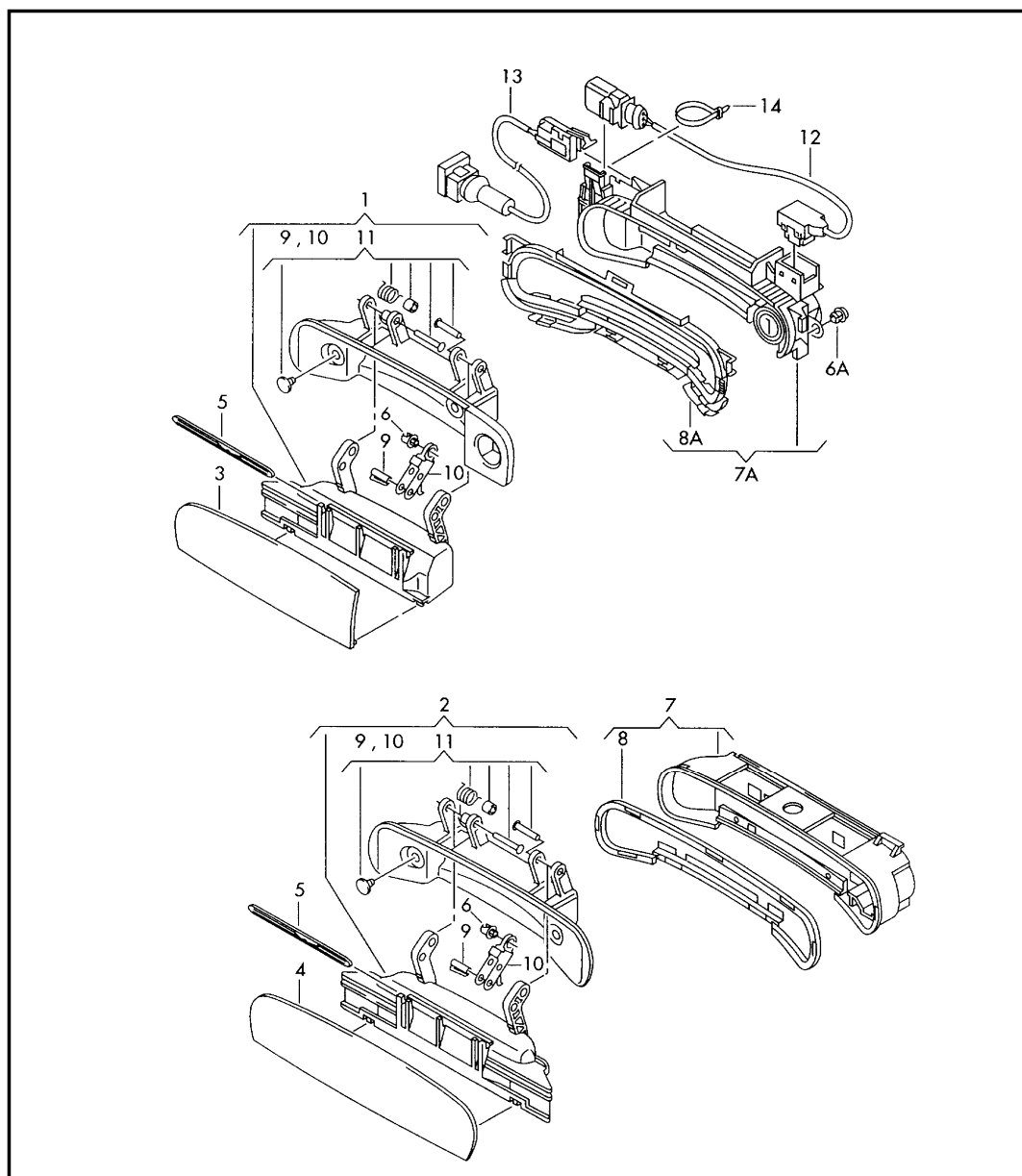


Model	Year	MG	SG	Illustration	Restrictions	UPD	9:43	25.07.201		ETKA
A4Q	2001	8	37	837-00		840	USA			



Pos	Part Number	Name	Remarks	Qty	Model
1	4B1 837 207	door handle, outer	front		
		door handle, outer with opening for lock cylinder	left	1	
	02/99-09/01GRU	primed			
(2)	4B0 839 208	door handle, outer	right	1	
	02/99-09/01GRU	primed			
3	4B0 837 237	trim plate for door handle	left	1	
	02/99-09/01GRU	primed			
4	4B0 839 239 A	trim plate for door handle	right lhd	1	
	02/99-09/01GRU	primed			
5	4B0 837 109 B	attachment strip	left, right	2	
6	893 839 821	clip	left, right	2	
7	4B1 837 885 A	bow	left	1	
(7)	4B2 837 886 A	bow	right	1	
8	4B0 837 209 A	packing		2	
9	4B0 857 179	securing pin		2	
10		not a spare part			
11	4B0 898 105	repair kit fuer door handle		X	
12		micro switch	see illustration: 837-10	1	
13		micro switch	see illustration: 837-10	1	
14		tie wrap	see illustration: 837-10	1	