

Door Handle

1 - Mount for Door Handle

- ❑ The lock cylinder is part of the mount and cannot be individually replaced.

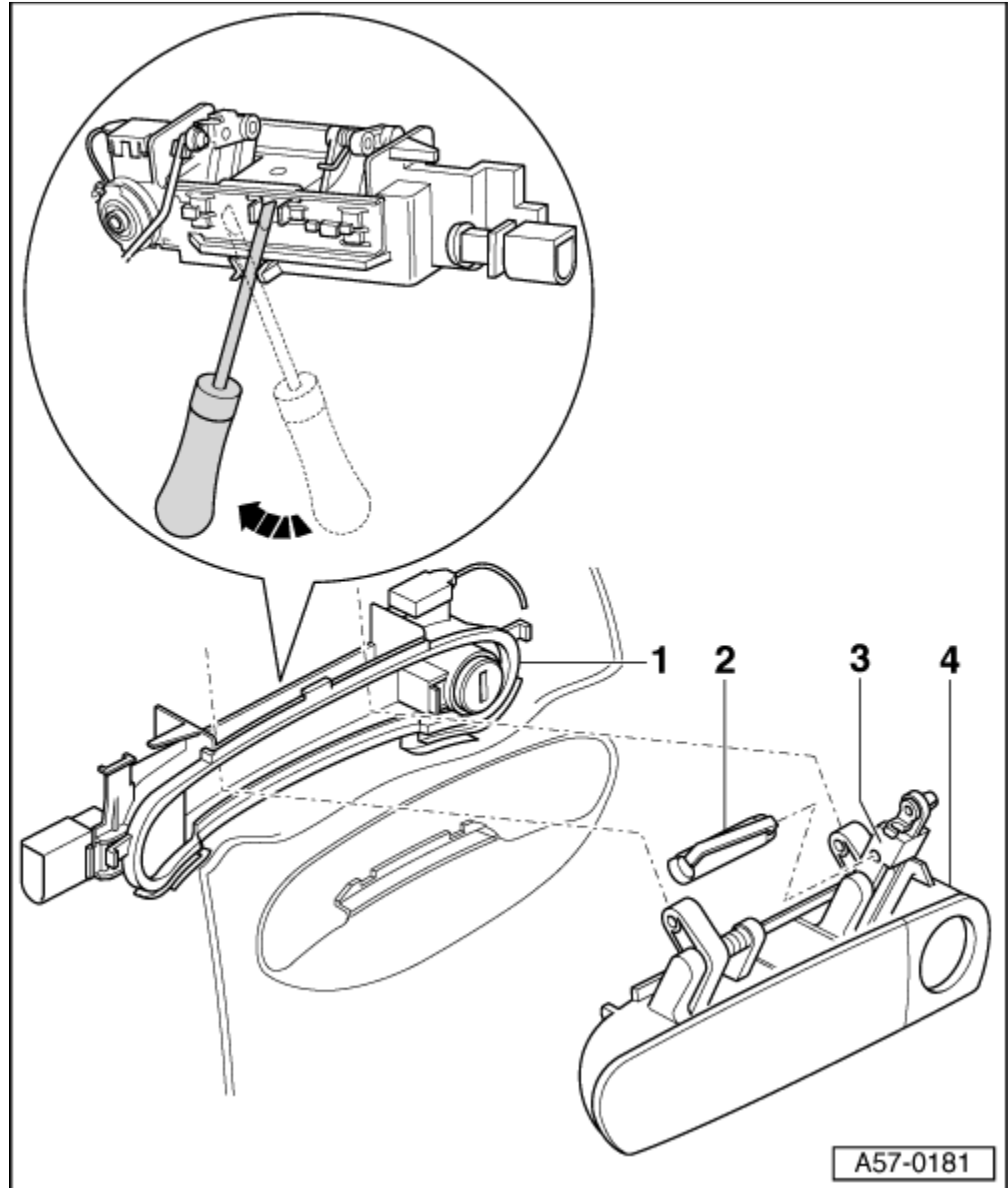
2 - Securing Pins

- ❑ When installing, be sure securing spring reaches completely around hinge arm.

3 - Hinge Arm

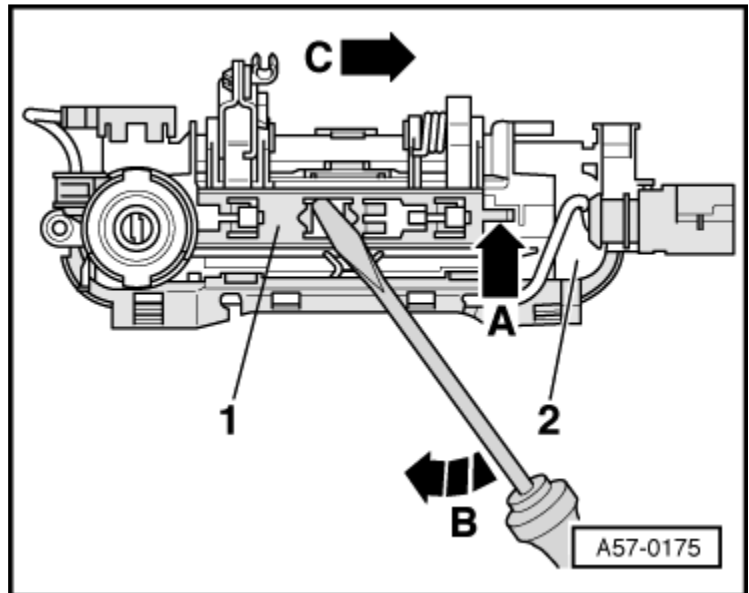
4 - Door Handle

- ❑ Before removing, door trim and door component carrier must be removed.
- ❑ To remove, remove locating pin → **Item** and flip up hinge arm → **Item**.
- ❑ Disengage catch at mount for door handle → **Item** using a screw driver → **Anchor**.
- ❑ Remove mount for door handle and lock cylinder together with door handle.



Disengaging Mount For Door Handle

- Using a small screwdriver, disengage retainer for slide -arrow A- by lifting lightly.
- Disengage slide -1- in direction of -arrow C- by pressing a screwdriver in direction of -arrow B-



Removing Trim

- To remove, lift up door handle -2-, push locking mechanism -1- out in lengthwise direction using small screwdriver, and remove trim -3-.

